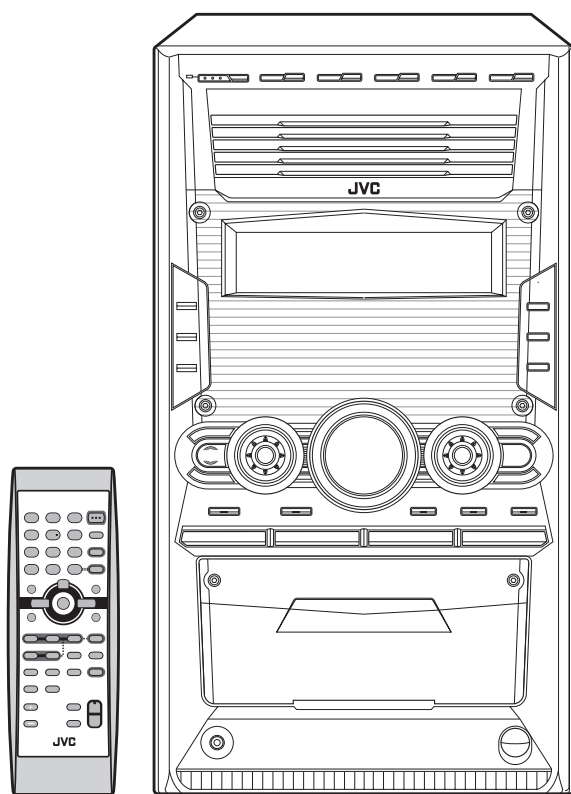


# JVC

## SERVICE MANUAL

### COMPACT COMPONENT SYSTEM

## HX-Z10



#### Area Suffix

B ..... U.K.  
E ..... Continental Europe  
EN ..... Northern Europe

COMPACT  
disc  
DIGITAL AUDIO



### TABLE OF CONTENTS

1	PRECAUTIONS .....	1-3
2	SPECIFIC SERVICE INSTRUCTIONS .....	1-6
3	DISASSEMBLY .....	1-7
4	ADJUSTMENT .....	1-37
5	TROUBLE SHOOTING .....	1-41

# SPECIFICATION

## CA-HXZ10

Amplifier section	Output Power (IEC 268-3)	
	Subwoofer	125 W per channel, min. RMS, driven into 6 Ω at 63 Hz with no more than 10% total harmonic distortion.
	Main Speaker	35 W per channel, min. RMS, driven into 6 Ω at 1 kHz with no more than 10% total harmonic distortion.
	Audio input sensitivity/impedance (Measured at 1 kHz, with tape recording signal 300 mV)	
	AUX	300 mV/47 kΩ
	Speakers/impedance	Subwoofer 6 Ω - 16 Ω Main Speaker 6 Ω - 16 Ω
Tuner	FM tuning range	87.50 MHz - 108.00 MHz
	AM tuning range	522 kHz - 1 629 kHz
CD player	Disc capacity	5 discs
	Dynamic range	87 dB
	Signal-to-noise ratio	90 dB
	Wow and flutter	Immeasurable
	MP3 recording format	MPEG 1/2 Audio Layer 3
	Max. Bit rate	320 kbps
Cassette deck	Frequency response Normal (type I)	50 Hz - 14 000 Hz
	Wow and flutter	0.15% (WRMS)
General	Power requirement	AC 230 V , 50 Hz
	Power consumption	165 W (in operation) 27 W (on standby with Ecology Mode off) 1.2 W (on standby with Ecology Mode on)
	Dimensions (approx.)	205 mm × 370 mm × 380.5 mm (W/H/D)
	Mass (approx.)	10.5 kg

## SP-HXZ10

Type	3-way 4-speaker Bass-Reflex Type Twin Hyper Power-Drive Subwoofer and Front Twin Woofer	
Speakers	Subwoofer	16.0 cm (6-5/16 in.) cone × 1
	Main woofer	10.0 cm (3-15/16 in.) cone × 2
	Tweeter	5.0 cm (2 in.) cone × 1
Power Handling Capacity	Subwoofer	165 W
	Main Speaker	75 W
Impedance	Subwoofer	6 Ω
	Main Speaker	6 Ω
Frequency Range	Subwoofer	30 Hz ~ 325 Hz
	Main Speaker	70 Hz ~ 32 000 Hz
Sound Pressure Level	78 dB/W·m	
Subwoofer	86 dB/W·m	
Main Speaker	220 mm × 432 mm × 357 mm	
Dimensions (W × H × D)	8-11/16 in. × 17-1/16 in. × 14-1/16 in.)	
Mass	8.2 kg (18.1 lbs) each	

Design and specifications are subject to change without notice.

## 1.6 Preventing static electricity

Electrostatic discharge (ESD), which occurs when static electricity stored in the body, fabric, etc. is discharged, can destroy the laser diode in the traverse unit (optical pickup). Take care to prevent this when performing repairs.

### 1.6.1 Grounding to prevent damage by static electricity

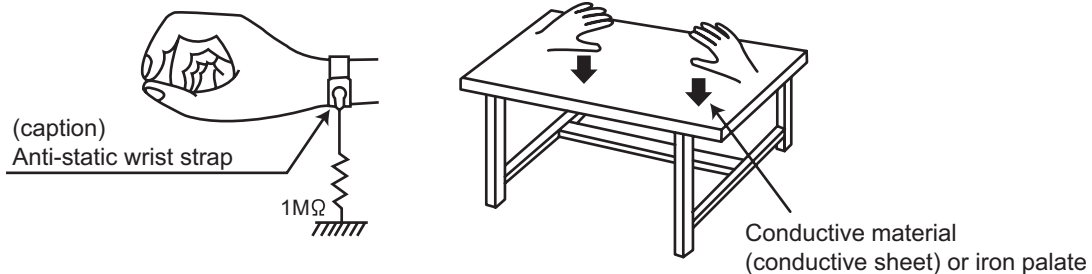
Static electricity in the work area can destroy the optical pickup (laser diode) in devices such as CD players. Be careful to use proper grounding in the area where repairs are being performed.

(1) Ground the workbench

Ground the workbench by laying conductive material (such as a conductive sheet) or an iron plate over it before placing the traverse unit (optical pickup) on it.

(2) Ground yourself

Use an anti-static wrist strap to release any static electricity built up in your body.



(3) Handling the optical pickup

- In order to maintain quality during transport and before installation, both sides of the laser diode on the replacement optical pickup are shorted. After replacement, return the shorted parts to their original condition. (Refer to the text.)
- Do not use a tester to check the condition of the laser diode in the optical pickup. The tester's internal power source can easily destroy the laser diode.

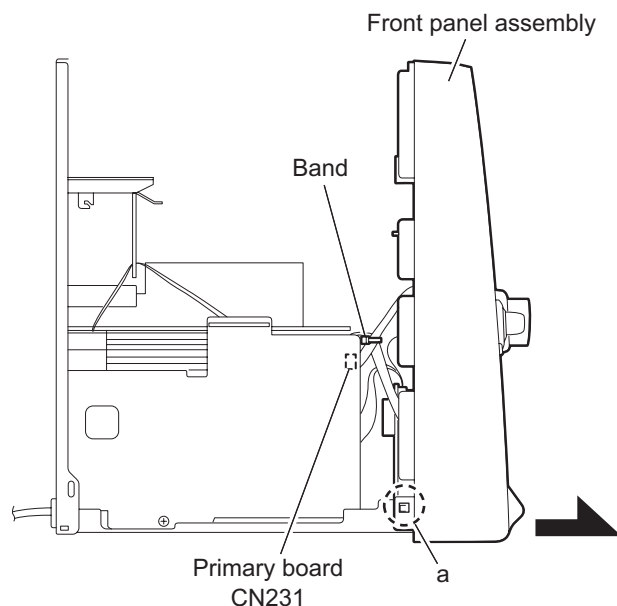
## 1.7 Handling the traverse unit (optical pickup)

- (1) Do not subject the traverse unit (optical pickup) to strong shocks, as it is a sensitive, complex unit.
- (2) Cut off the shorted part of the flexible cable using nippers, etc. after replacing the optical pickup. For specific details, refer to the replacement procedure in the text. Remove the anti-static pin when replacing the traverse unit. Be careful not to take too long a time when attaching it to the connector.
- (3) Handle the flexible cable carefully as it may break when subjected to strong force.
- (4) It is not possible to adjust the semi-fixed resistor that adjusts the laser power. Do not turn it.

## 1.8 Attention when traverse unit is decomposed

**\*Please refer to "Disassembly method" in the text for the CD pickup unit.**

- Apply solder to the short land sections before the flexible wire is disconnected from the connector [CN231](#) on the CD servo board. (If the flexible wire is disconnected without applying solder, the CD pickup may be destroyed by static electricity.)
- In the assembly, be sure to remove solder from the short land sections after connecting the flexible wire.



## SECTION 3 DISASSEMBLY

### 3.1 Main body

#### 3.1.1 Removing the metal cover

(See Fig.1~3)

- (1) Remove the six screws **A** on the back of the body.
- (2) Remove the screw **B** on each side of the body.
- (3) Remove the metal cover from the body by lifting the rear part of the cover.

#### CAUTION:

Do not break the front panel tab fitted to the metal cover.

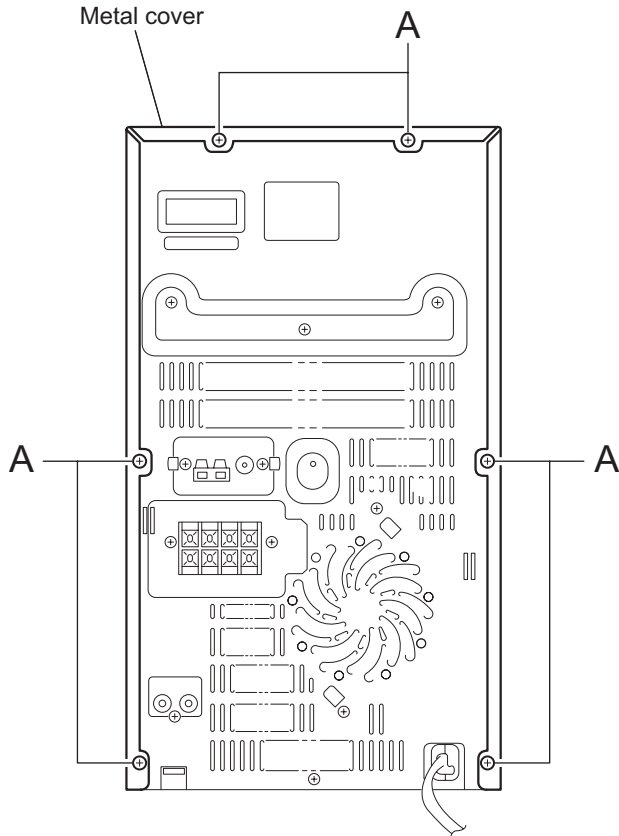


Fig.1

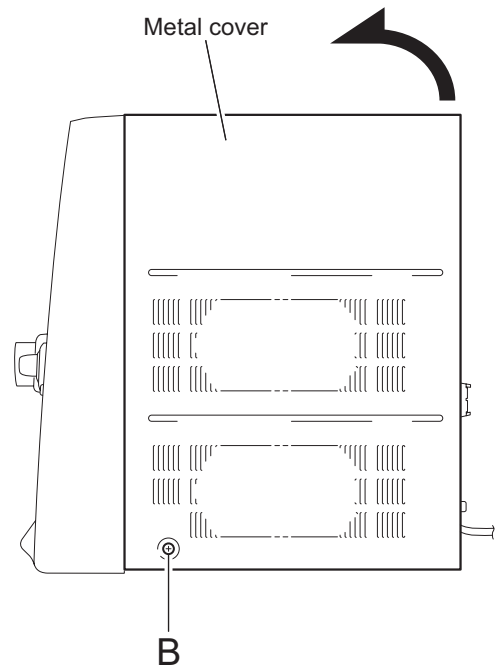


Fig.2

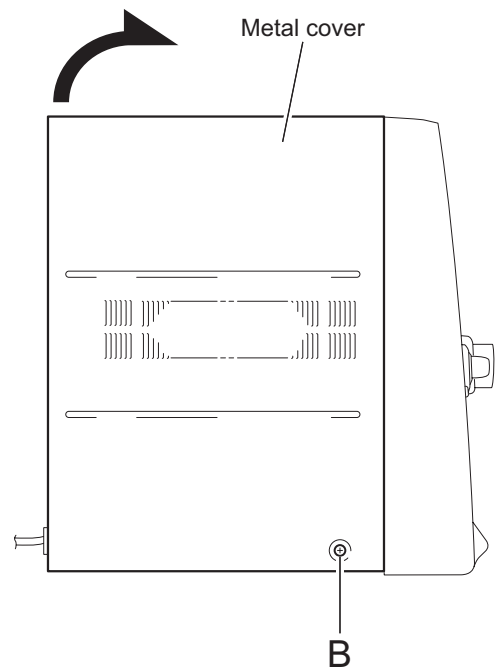


Fig.3

### 3.1.2 Removing the CD changer mechanism assembly (See Fig.4, 5)

- Prior to performing the following procedure, remove the metal cover.
  - (1) Disconnect the card wire from connector [CN651](#) on the CD servo control board on the right bottom of the CD changer mechanism assembly.
  - (2) Remove the four screws **C** attaching the CD changer mechanism assembly on top of the body.
  - (3) Remove the CD changer mechanism assembly while lifting the rear part.

**CAUTION:**

Do not damage the CD fitting when removing the CD changer mechanism assembly.

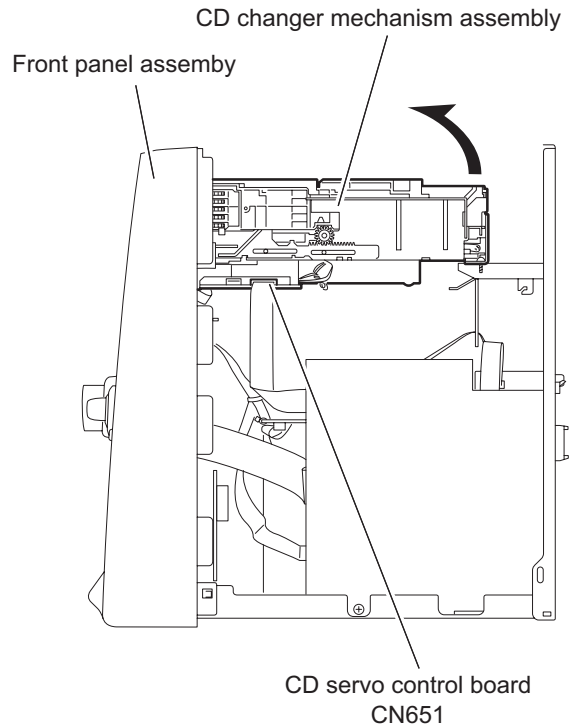


Fig.4

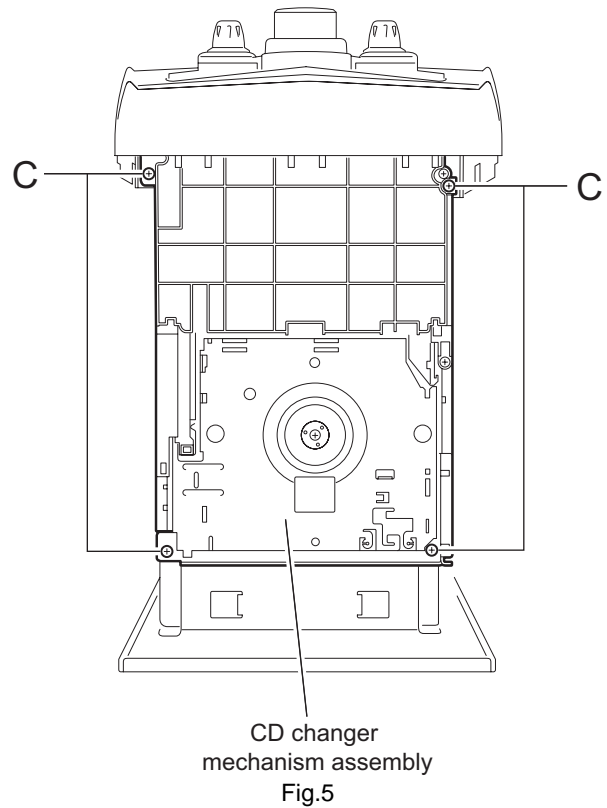


Fig.5

### 3.1.3 Removing the front panel assembly (See Fig.6~9)

- Prior to performing the following procedure, remove the metal cover and the CD changer mechanism assembly.
  - (1) Disconnect the card wires from connector [CN44](#) and [CN870](#) on the main board on the right side of the body.
  - (2) Disconnect the wire from connector [CN701](#) on the bridge board.
  - (3) Cut the band.
  - (4) Disconnect the wire from connector [CN231,CN232](#) on the primary board on the left side of the body and remove the band fixing the wire.
  - (5) Disconnect the ground wire extending from phones board from bottom chassis.
  - (6) Remove the three screws **D** attaching the front panel assembly at the bottom of the body.
  - (7) Release the two joints **a** on the lower left and right sides of the front panel assembly using a screwdriver, and remove the front panel assembly toward the front.

#### REFERENCE:

Front panel need to be tilt a little bit as release from bottom chassis.

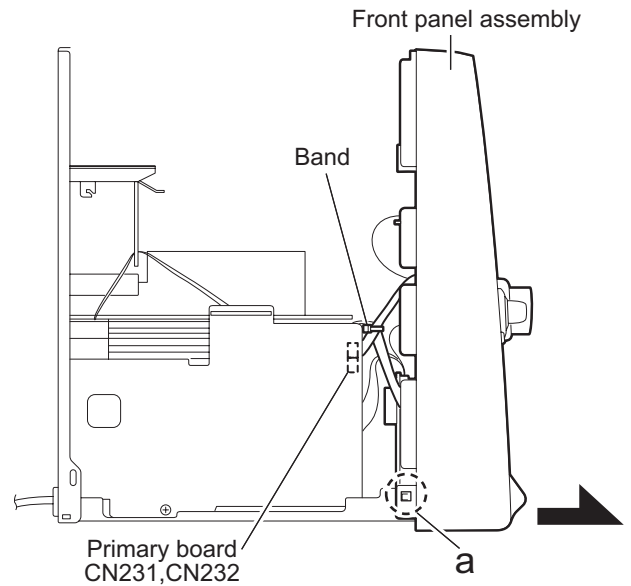


Fig.7

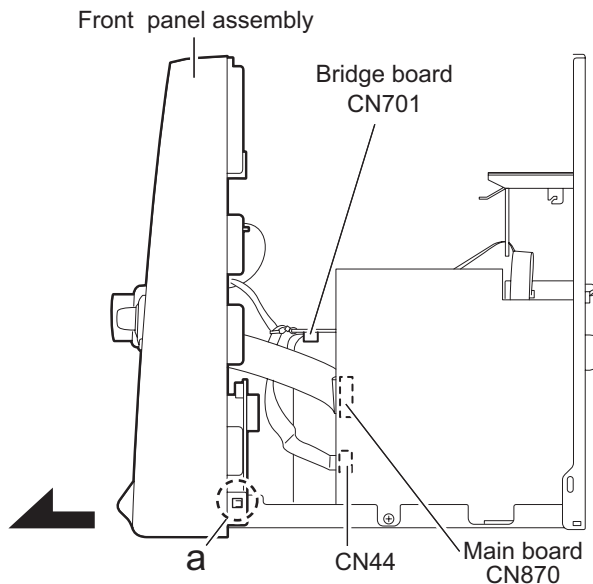


Fig.6

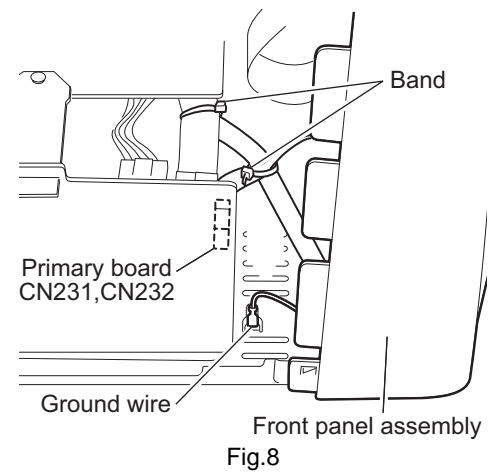


Fig.8

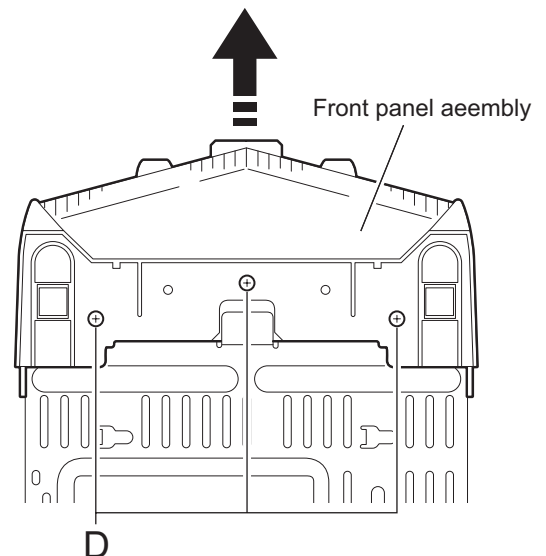


Fig.9

### 3.1.4 Removing the tuner pack assembly (See Fig.10, 11)

- Prior to performing the following procedure, remove the metal cover and the CD changer mechanism assembly.
  - (1) Disconnect the card wire from connector **CN1** on the tuner pack assembly on the right side of the body.
  - (2) Remove the two screws **E** on the rear panel on the back of the body.

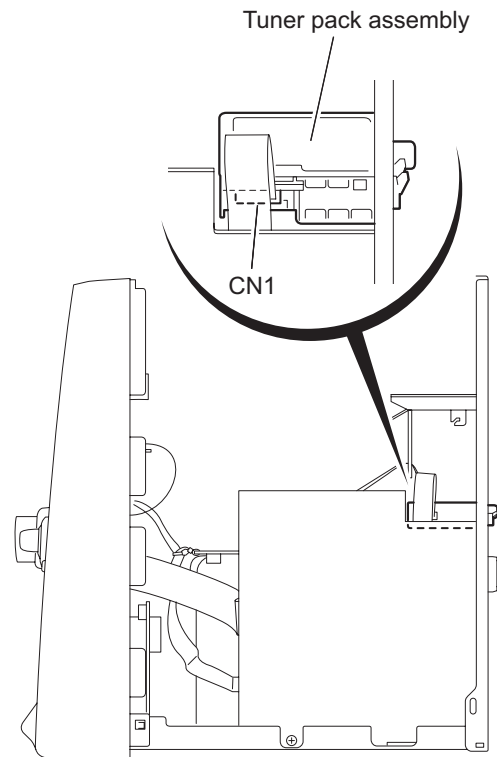


Fig.10

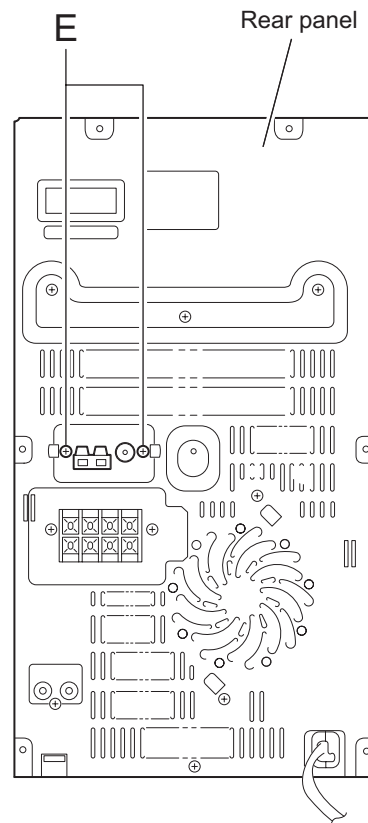


Fig.11

### 3.1.5 Removing the rear panel (See Fig.10, 12~16)

- Prior to performing the following procedure, remove the metal cover and the CD changer mechanism assembly.
  - (1) Remove holding board by remove a plastic rivet and then slide out the holding board as shown in fig. 12.
  - (2) Disconnect the fan wire extending from the fan assembly from connector **CN206** on the bridge board.
  - (3) Disconnect the card wire from connector **CN1** on the tuner pack.
  - (4) Remove four screws **F** from rear panel.
  - (5) Release joints **b** which on right bottom and left bottom of rear panel. The joint can be release by pull outward the side of rear panel.

#### REFERENCE:

Fan assembly and tuner pack will come off with rear panel.

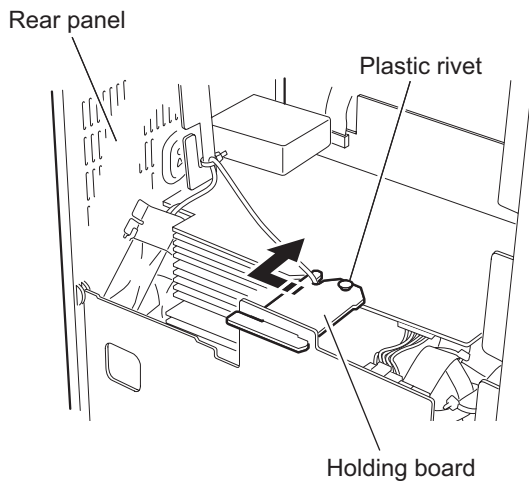


Fig.12

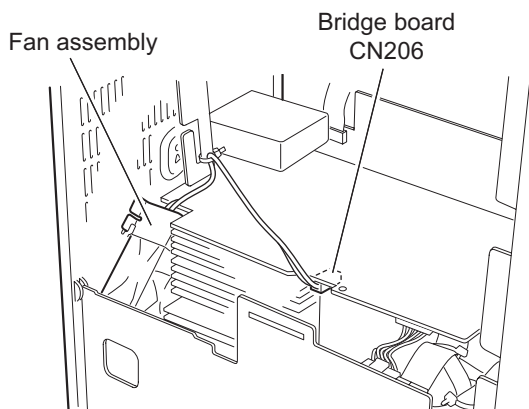


Fig.13

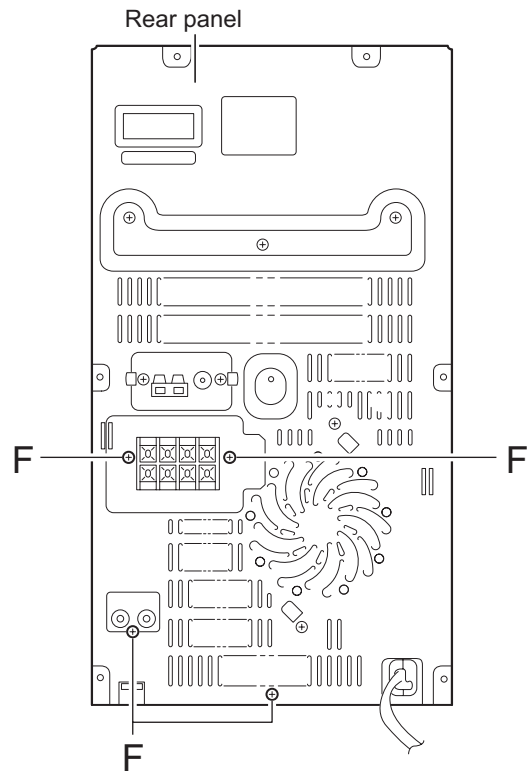


Fig.14

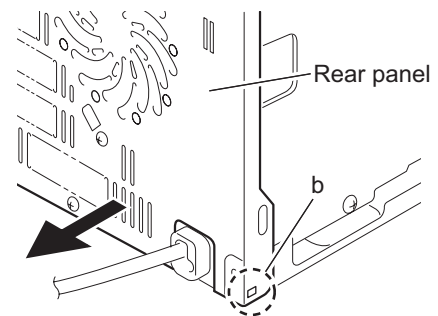


Fig.15

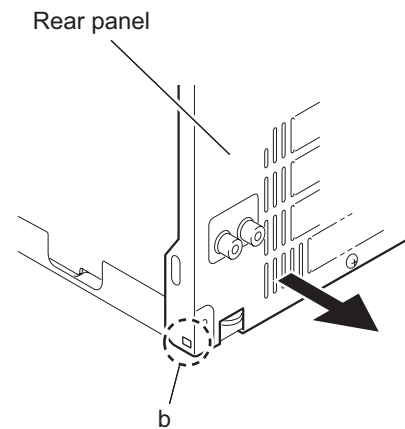


Fig.16



### 3.1.6 Removing the fan assembly (See Fig.17, 18)

- Prior to performing the following procedure, remove the metal cover, the CD changer mechanism assembly and the rear panel.
  - (1) Cut the band with for fan wire holder.
  - (2) Remove two screws **G** on the rear panel.
  - (3) Rotate fan assembly in clockwise direction to release fan assembly from rear panel (joints **c**).

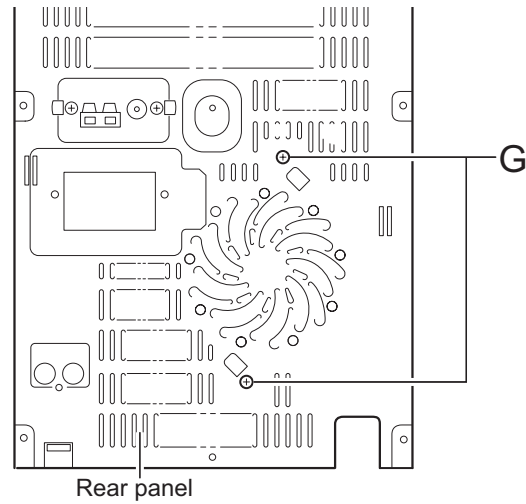


Fig.17

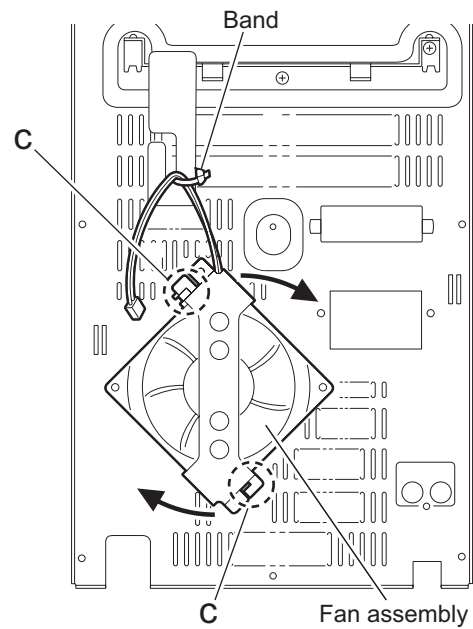


Fig.18

### 3.1.7 Removing the main board (See Fig.19)

- Prior to performing the following procedure, remove the metal cover, the CD changer mechanism assembly and the rear panel.
  - (1) Cut off the band.
  - (2) Disconnect the card wires from connector [CN44](#) and [CN870](#) on the main board.
  - (3) Remove the screw **H** attaching the main board.
  - (4) Disconnect connector [CN217](#) and [CN311](#) on the main board outward and release from the base chassis (joint **d**) upward.

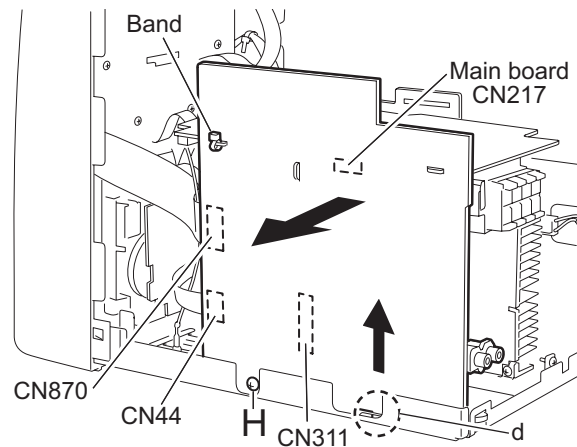


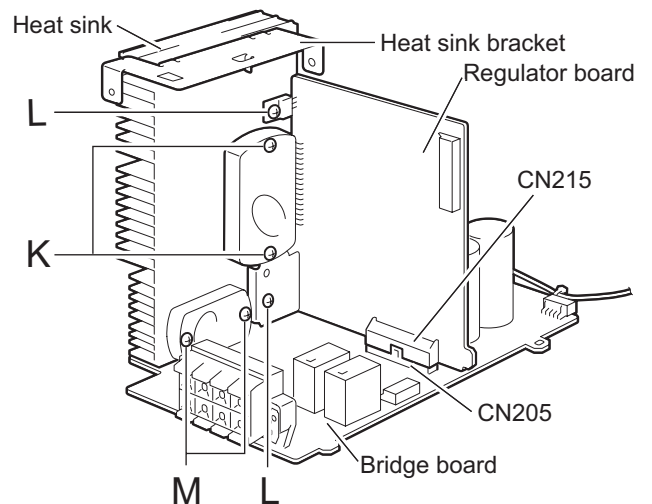
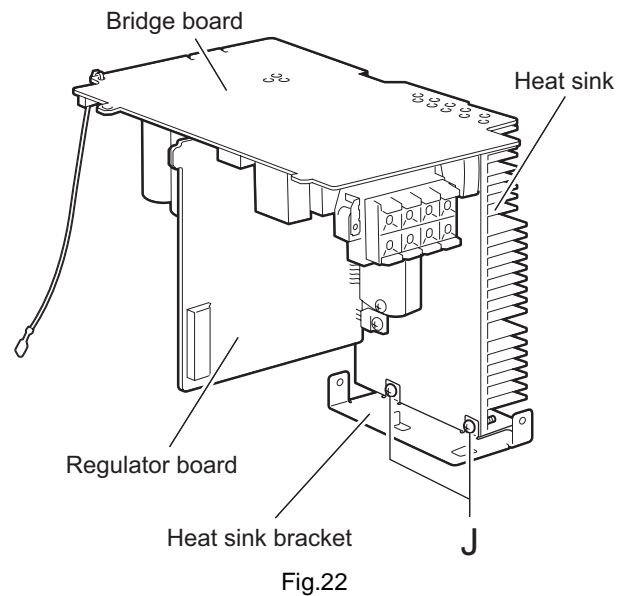
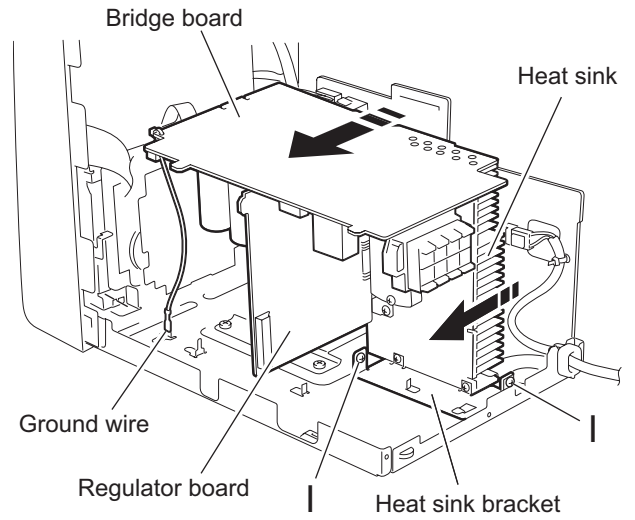
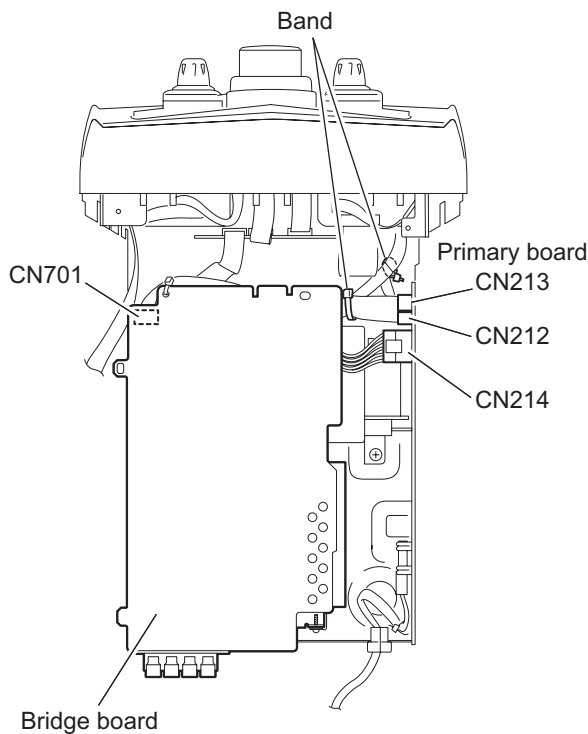
Fig.19

### 3.1.8 Removing the bridge board / regulator board / heat sink (See Fig.20~23)

- Prior to performing the following procedure, remove the metal cover, the CD changer mechanism assembly, the rear panel and main board.
  - (1) Disconnect the wire from connector [CN212](#), [CN213](#) and [CN214](#) on the primary board respectively and remove the band attaching the wires.
  - (2) Disconnect the wire from connector [CN701](#) on the bridge board.
  - (3) Disconnect the ground wire extending from the bridge board from bottom chassis.
  - (4) Remove the two screws **I** attaching the heat sink bracket and move the heat sink in the direction of the arrow to release from the base chassis. The bridge board and the regulator board come off with the heat sink.
  - (5) Remove the two screws **J** attaching the heat sink bracket.
  - (6) Remove the two screws **M**, detach bridge board from regulator board by disconnect connector [CN205](#).
  - (7) Remove the two screws **K** and two screws **L** to detach regulator board from heat sink.

#### CAUTION:

As assembly back the regulator board and bridge board to heat sink.  
Regulator board must be assembly to heat sink first and screws **K** and **L** must be screwed before bridge board attach to regulator board.



### 3.1.9 Removing the power transformer assembly (See Fig 24, 25)

- Prior to performing the following procedure, remove the metal cover, the CD changer mechanism assembly, the rear panel, the main board and the bridge board / regulator board.
  - (1) Remove the screw **N** attaching the primary board.
  - (2) Disconnect the wire from connector **CN231** on the primary board.
  - (3) Remove the four screws **O** attaching the power transformer assembly.
  - (4) Detach the cord stopper from the base chassis upward.

#### REFERENCE:

When disconnecting the power cord from connector **CN250** on the primary board, remove the fixing band.

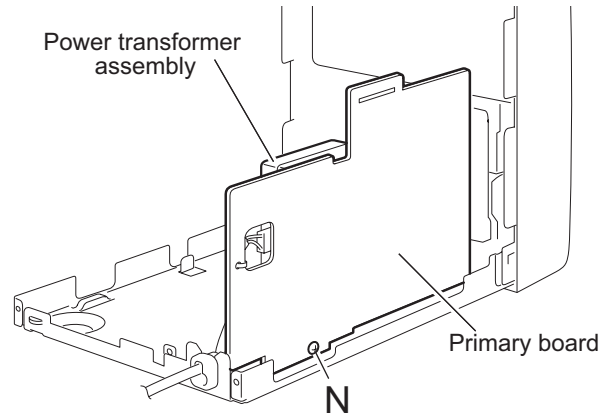


Fig.24

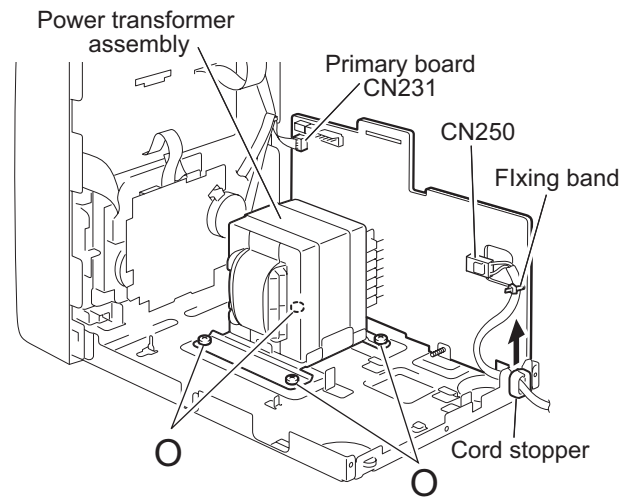


Fig.25

### 3.1.10 Front panel assembly

- Prior to performing the following procedure, remove the metal cover, the CD changer mechanism assembly and the front panel assembly.

### 3.1.11 Removing the cassette mechanism assembly (See Fig.26)

- (1) Disconnect the card wire from connector **CN33** on the head amplifier & mechanism control board.
- (2) Remove the two screws **P**, and the two screws **Q** attaching the cassette mechanism assembly.

### 3.1.12 Removing the headphone board (See Fig.26)

- (1) Remove the screw **R** and pull out the headphone board backward.
- (2) Cut off the band.

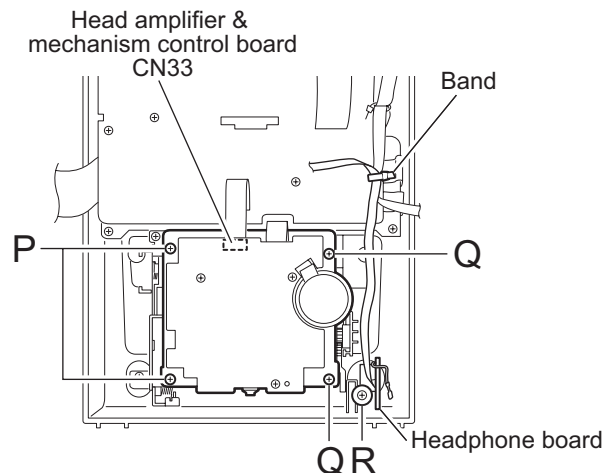


Fig.26

### 3.1.13 Removing the switch / micon board (See Fig.27~29)

- Prior to performing the following procedure, disconnect the card wire from [CN43](#) on the micon board.
  - (1) Disconnect the card wire from connector [CN840](#) on the micon board.
  - (2) Remove the fifteen screws **S** attaching the switch / micon board.
  - (3) Remove the spacer fixing the wire.
  - (4) Move the switch / micon board in the direction of the arrow to disconnect the wire from connector [CN880](#) and [CN900](#) on the micon board.

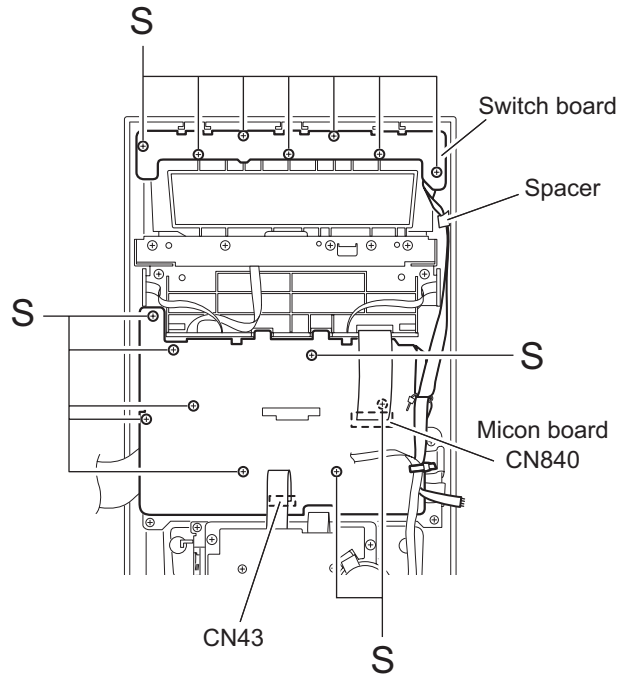


Fig.27

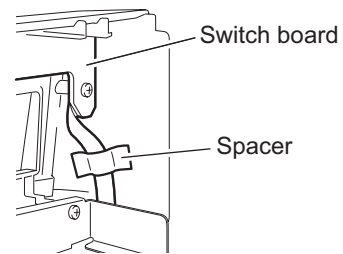


Fig.28

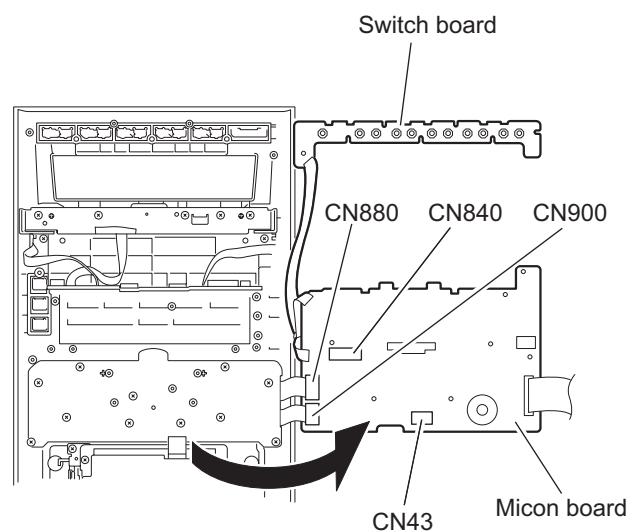
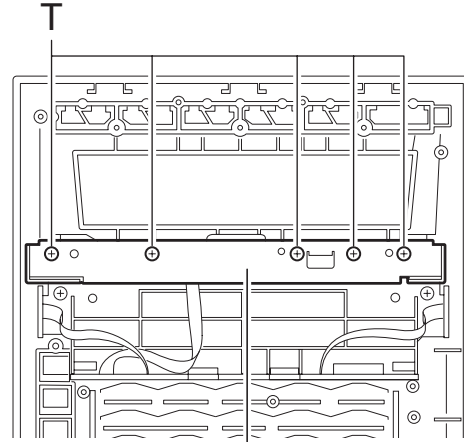


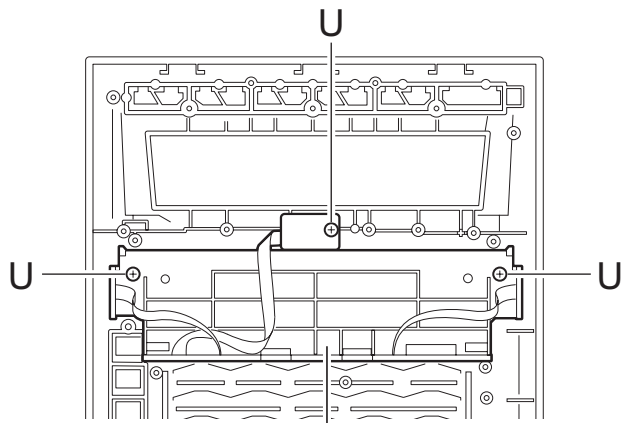
Fig.29

### 3.1.14 Removing the FL board assembly (See Fig.30, 31)

- Prior to performing the following procedure, remove the switch / micon board.
  - (1) Remove the five screws **T** attaching the stay bracket (1).
  - (2) Remove the three screws **U** attaching the FL board assembly.



Stay bracket (1)  
Fig.30



FL board assembly  
Fig.31

### 3.1.15 Removing the button board (See Fig.32~34)

- Prior to performing the following procedure, remove the switch/micon board.
  - (1) Pull out the preset knob, the volume knob and the sound mode knob.
  - (2) Remove the two screws **V** attaching the knob holder. Remove the nut from the front panel.
  - (3) Remove the eleven screws **W** attaching the button board.

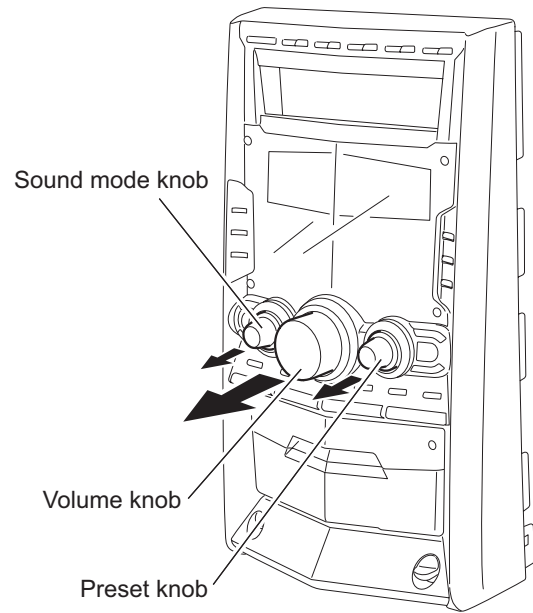
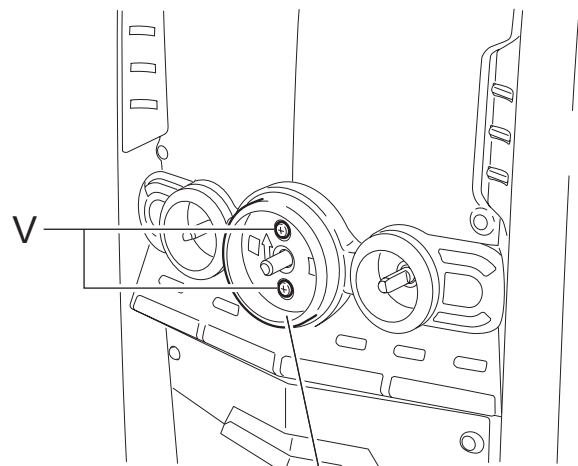
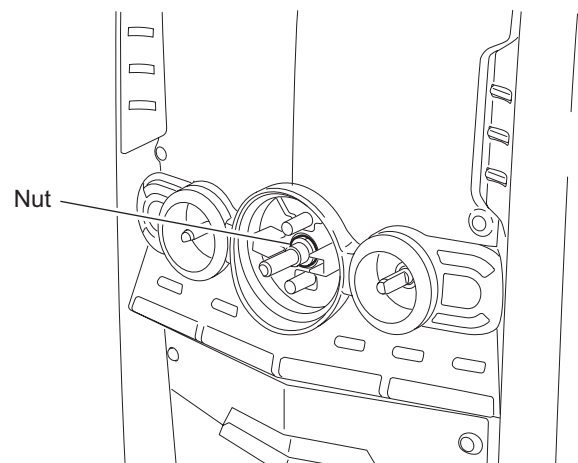


Fig.32



Knob holder  
Fig.33



Nut  
Fig.34

## 3.2 CD changer mechanism

### 3.2.1 Removing the tray assembly

(See Fig.1 ~ 5)

- (1) Remove the two screws **A** from the top cover and release the two joints **a** on both sides of the body.
- (2) Remove the top cover with the two rods attached to the top cover and lifter assembly respectively.
- (3) Remove the open det lever on the left side of the body.
- (4) Push part **b** of the slide (R) assembly on the right side of the body to unlock the tray assembly. Draw out the trays toward the front.

**Attention:**

The tray can be locked if all tray assemblies are attached.

- (5) From top of the body, move the stopper tab **c** in the direction of the arrow and release. Pull out the tray assemblies from the body.

**Caution:**

Remove the tray assembly from top tray 5 in order.

**Attention:**

When reattaching the sub tray of the tray assembly, or when removing the CD remaining inside, refer to another section.

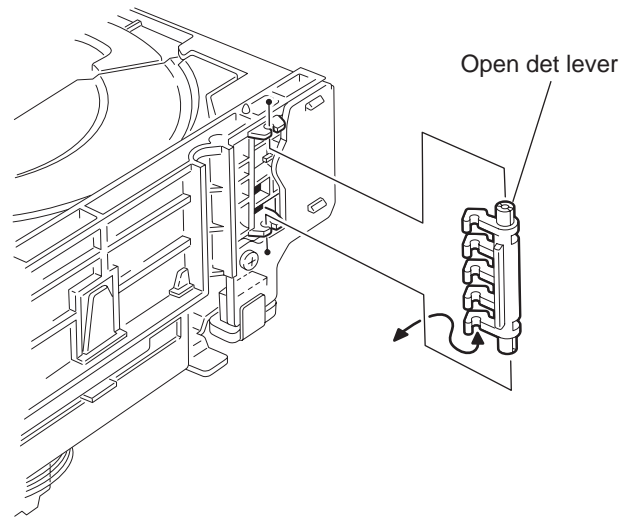


Fig.3

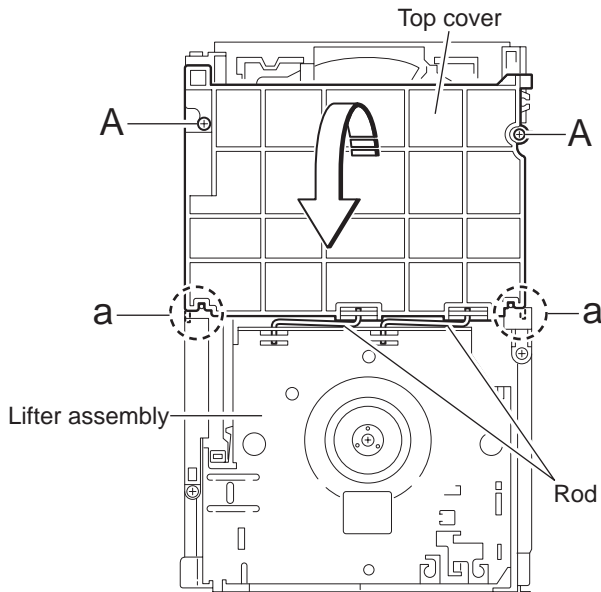


Fig.1

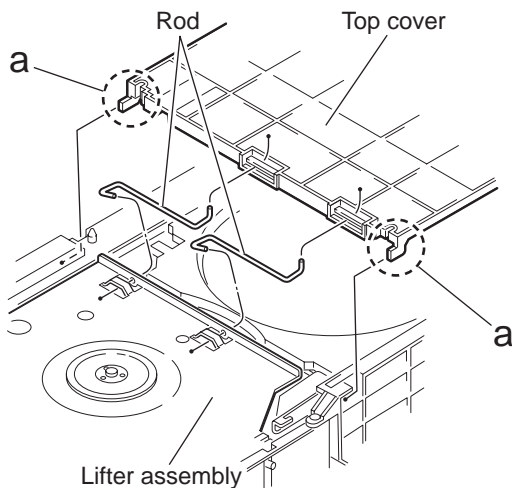


Fig.2

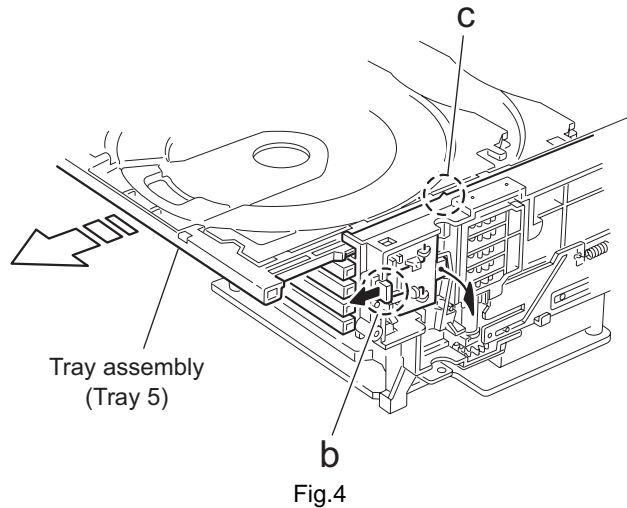


Fig.4

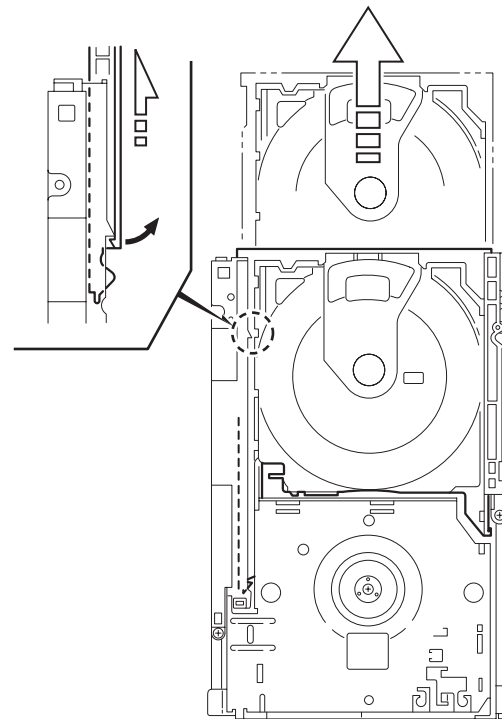


Fig.5

### 3.2.2 Removing the servo control board (See Fig.6 ~ 9)

**Caution:**

Solder the short-circuit point on the pickup before disconnecting the card wire extending from the pickup. If you do not follow this instruction, the pickup may be damaged.

- (1) Disconnect the card wire from connector **CN251** and each wire from connector **CN252**, **CN253** and **CN602** on the servo control board on the bottom of the body. Disconnect the wire from joint **d**.
- (2) Solder the short round point on the flexible board of the pickup.
- (3) Remove the four screws **B** and turn the servo control board as shown in the figure.
- (4) Disconnect the card wire from connector **CN601** on the servo control board. **Caution:** Unsolder the short-circuit point after reassembling.

**Caution:**

When reassembling, twist the wires to be connected to connector **CN252** and **CN253** twice.

### 3.2.3 Removing the switch board (See Fig.9)

- (1) Disconnect the wires from connector **CN252** and **CN253** on the servo control board.
- (2) Remove the screw **C** attaching the switch board.
- (3) Release the wires from the slot **e** of the switch board.

**Caution:**

When reassembling, let the wires through the slot **e** of the switch board and twist them twice.

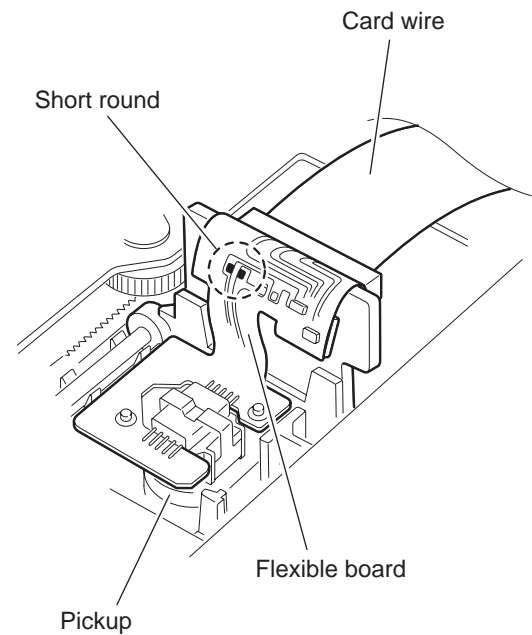


Fig.7

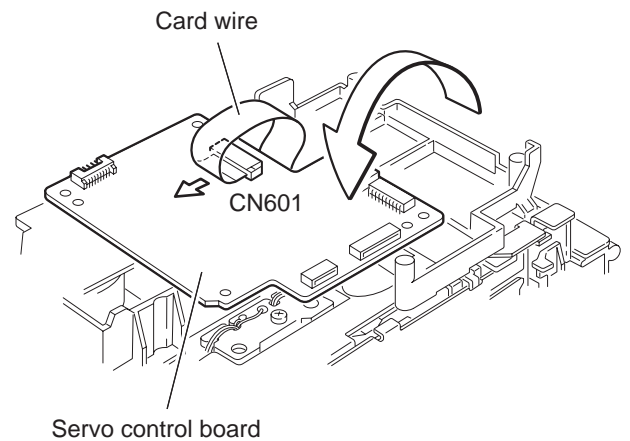


Fig.8

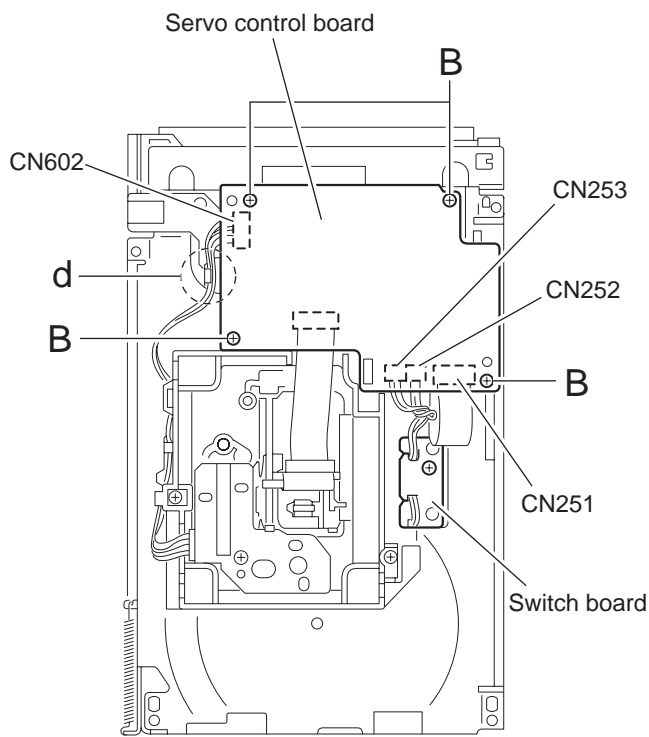


Fig.6

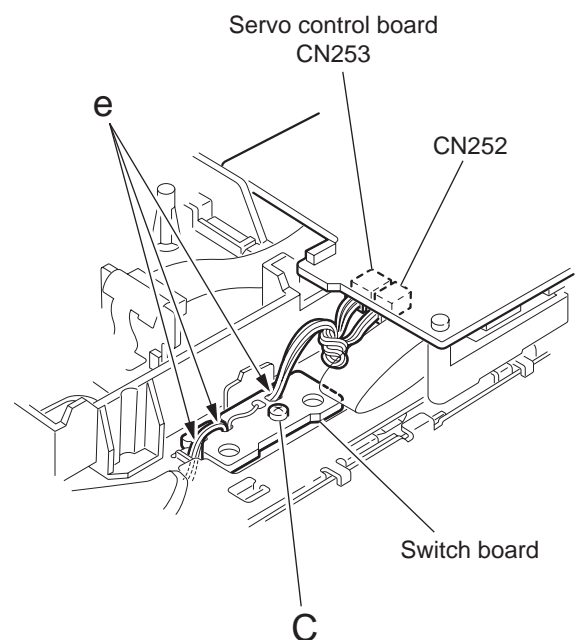


Fig.9



### 3.2.4 Removing the motor board (See Fig.10 , 11)

- Prior to performing the following procedure, remove the servo control board.

(1) Turn over the body and remove the two screws **D**. Move the CD module bkt. in the direction of the arrow to release two joints **f**.

(2) Unsolder the four soldered parts on the motor of the motor board.

**Caution:**

If removing the motor board with the motor, you should remove the screws attaching the motor from top of the body(Refer to another section).

(3) Remove the two screws **E** attaching the motor board.

(4) Remove the spacer fixing the motor board and tray switch board, and disconnect connector **CN2** on the motor board.

(5) Disconnect the card wire from connector **CN1** on the motor board.

**Caution:**

When reconnecting the card wire, let the card wire through the slot **g** of the motor board and attach it to the bottom of the body using a double tape.

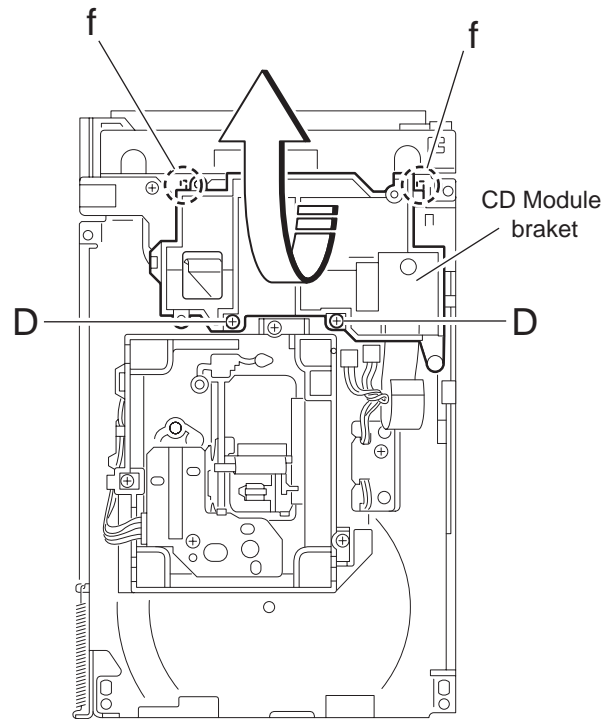


Fig.10

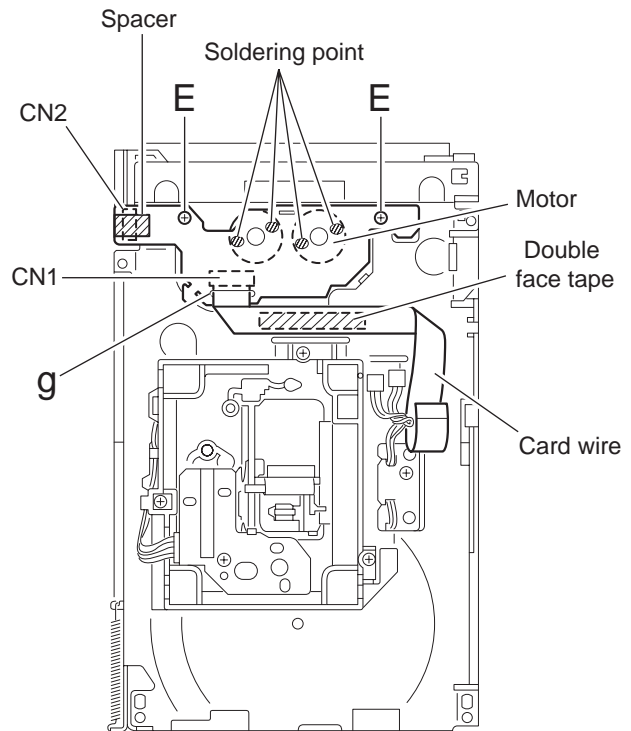
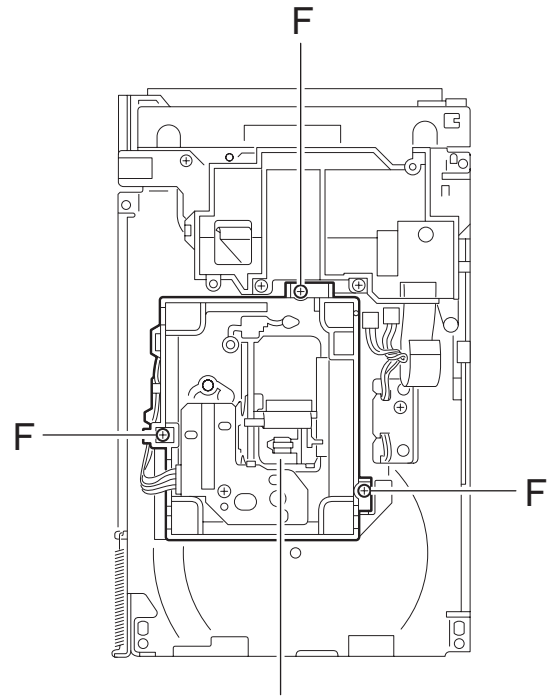


Fig.11

### 3.2.5 Removing the CD tramecha assembly (See Fig.12)

- Prior to performing the following procedure, remove the servo control board.
  - (1) Turn over the body and remove the three screws **F** attaching the tramecha.



CD Tramecha assembly  
Fig.12

### 3.2.6 Removing the pickup (See Fig.13 , 14)

- Prior to performing the following procedure, remove the servo control board and CD tramecha assembly.
  - (1) From top of the CD tramecha assembly, turn the cam gear in the direction of the arrow to move the pickup assembly outward.
  - (2) Push down the stopper **h** in the direction of the arrow and pull out the shaft.
  - (3) Release the joint **i** of the pickup assembly and mecha base.
  - (4) Remove the screw **G** attaching the CD rack. Release the four tabs **j** at the bottom of the CD rack.

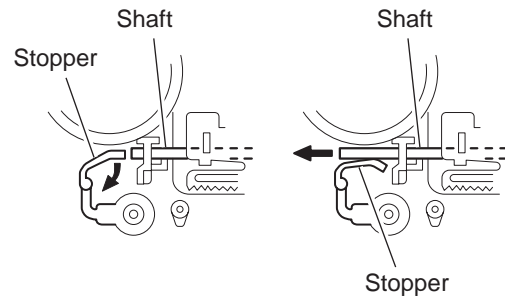
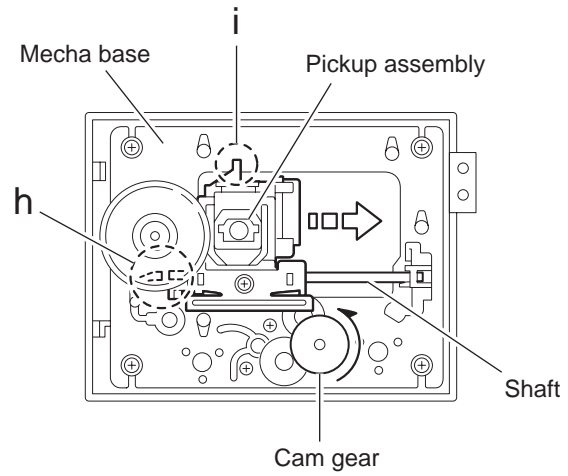


Fig.13

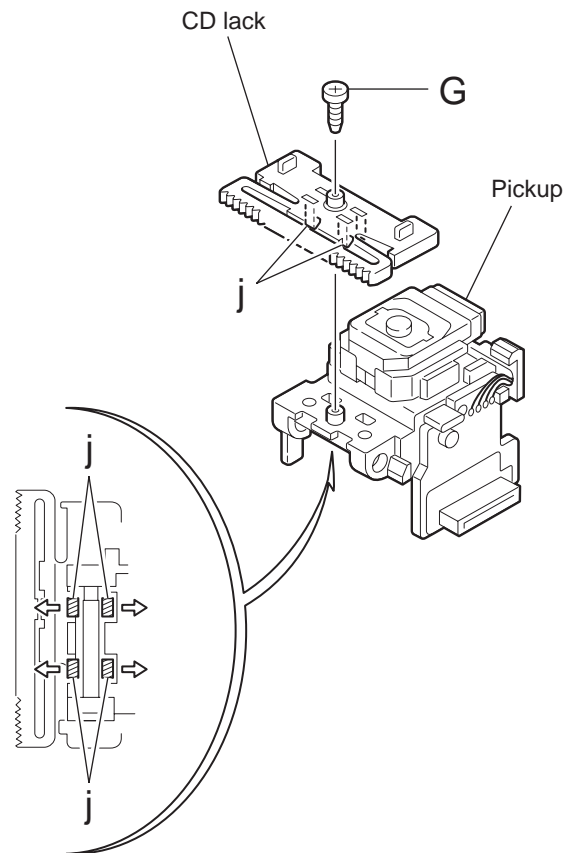


Fig.14

### 3.2.7 Removing the side (L)/ tray switch board (See Fig.15 ~ 17)

- Prior to performing the following procedure, remove the tray assembly.
  - (1) Remove the two screws **H** attaching the side (L) on top of the body.
  - (2) From the side of the body, remove the spacer fixing the tray switch board and motor board. Disconnect connector **CN3** on the tray switch board and detach the side (L) upward.
  - (3) Remove the screw **J** attaching the tray switch board.
  - (4) Push the joint tab **k** of the side (L) in the direction of the arrow and remove the tray switch board outward, then release joint **I**.

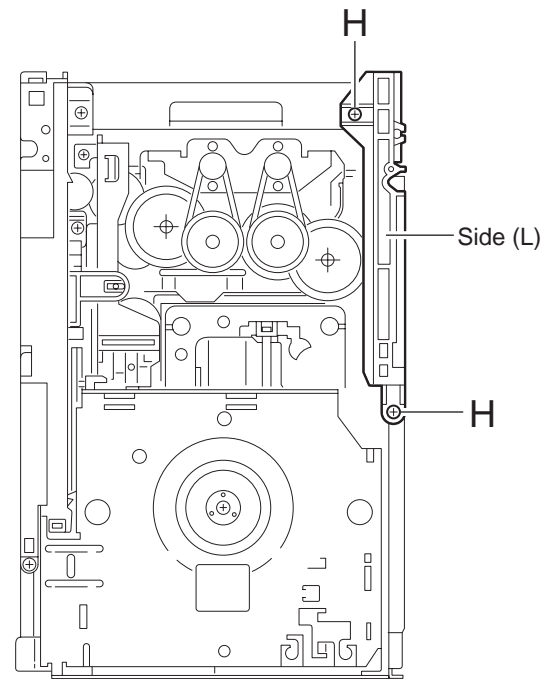


Fig.15

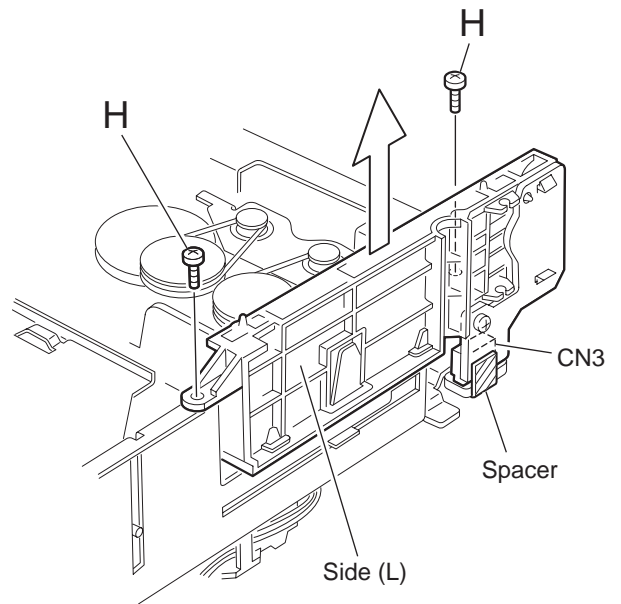


Fig.16

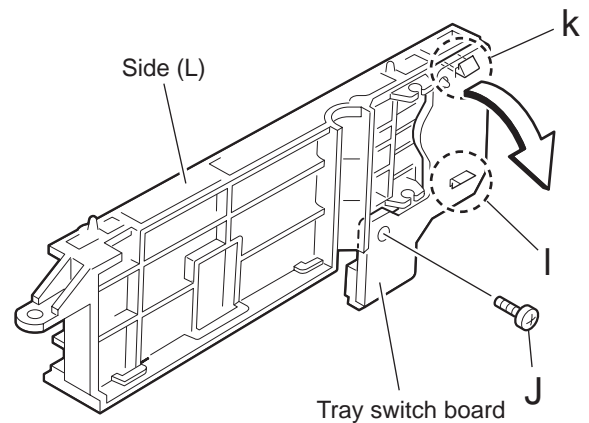


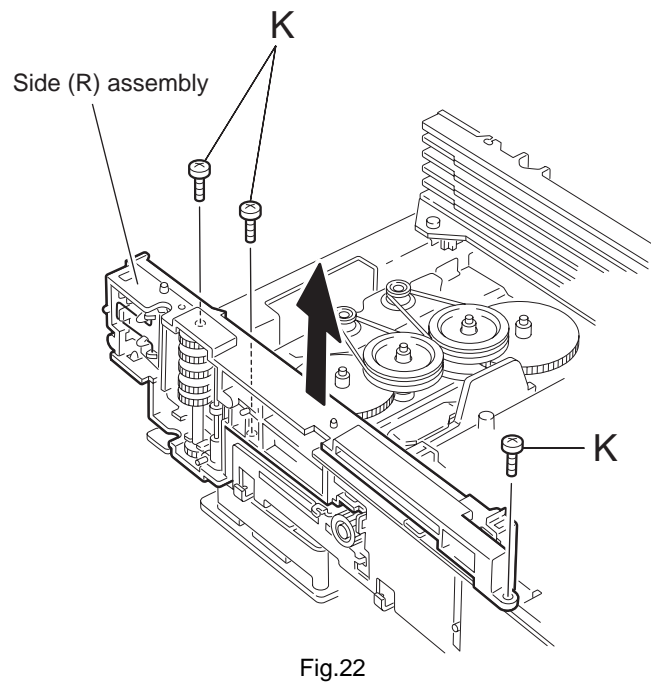
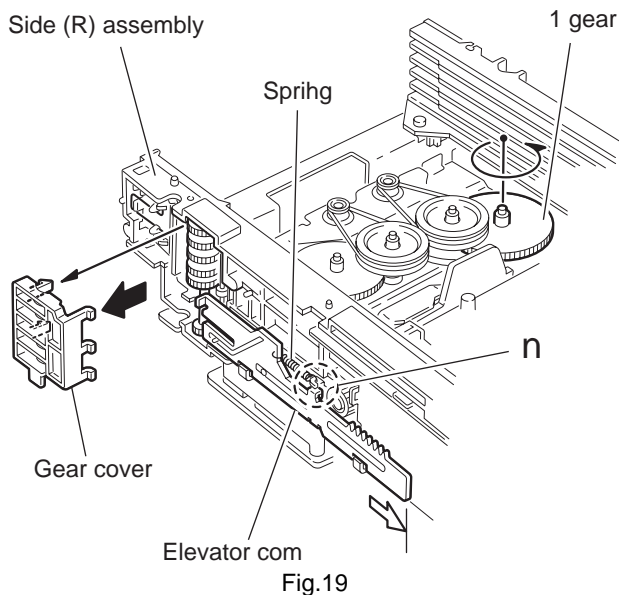
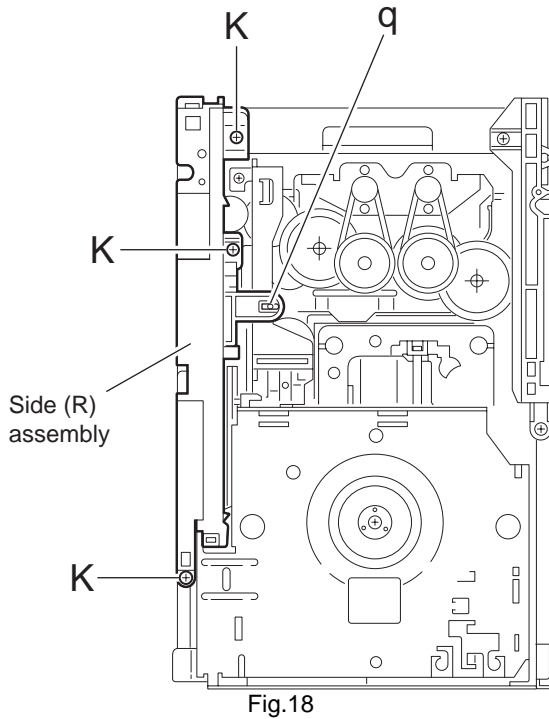
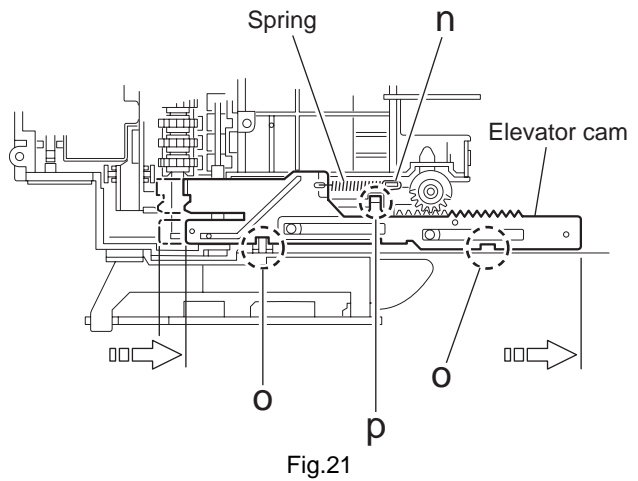
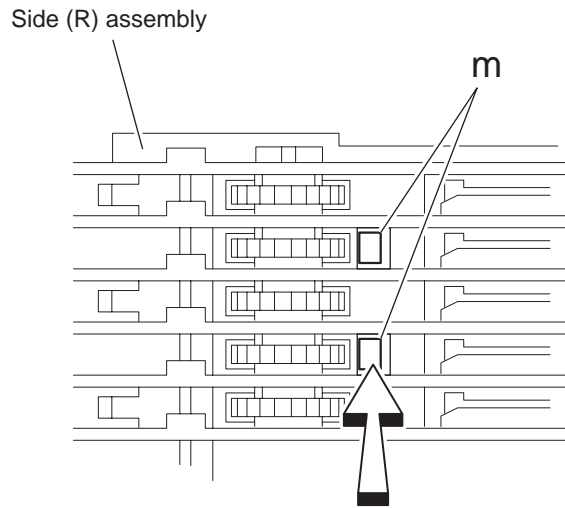
Fig.17

### 3.2.8 Removing the side (R) assembly (See Fig.18 ~ 22)

- Prior to performing the following procedure, remove the tray assembly.
  - (1) Push and release the two tabs **m** of the gear cover through the two notches inside the side (R) assembly. Remove the gear cover outward.
  - (2) Remove the spring attached to part **n** of the hook on the right side of the body.
  - (3) From top of the body, turn the 1 gear clockwise to move the elevator cam rearward. Move the two slots **o** and joint **p** of the elevator cam as shown in Fig.21 and remove the elevator cam outward.
  - (4) Remove the three screws **K** and detach the side (R) upward.

#### Caution:

When reattaching the side (R) assembly, make sure to fit the shaft (part **q**) into the slot of the select lever.



### 3.2.9 Removing the lifter assembly (See Fig.23 ~ 27)

- Prior to performing the following procedure, remove the tray assembly and side (L)/ side (R) assembly.
  - (1) From top of the body, turn the 1 gear clockwise to move the lifter assembly upward as shown in Fig.24.
  - (2) From top of the body, turn the 2 gear clockwise to move the hook toward the front until it stops.
  - (3) Move the hook stopper in the direction of the arrow while pushing the tab r of the hook stopper to unlock it. Release four joints s to detach from the rack holder. Release the rod from part t.
  - (4) Turn the 1 gear clockwise again to move the lifter assembly upward.
  - (5) Remove the lifter assembly from the body upward at position u where the four pins on the right and left sides of the lifter assembly fit to the notches of the v. Move the lifter assembly toward the front and release from the hook.

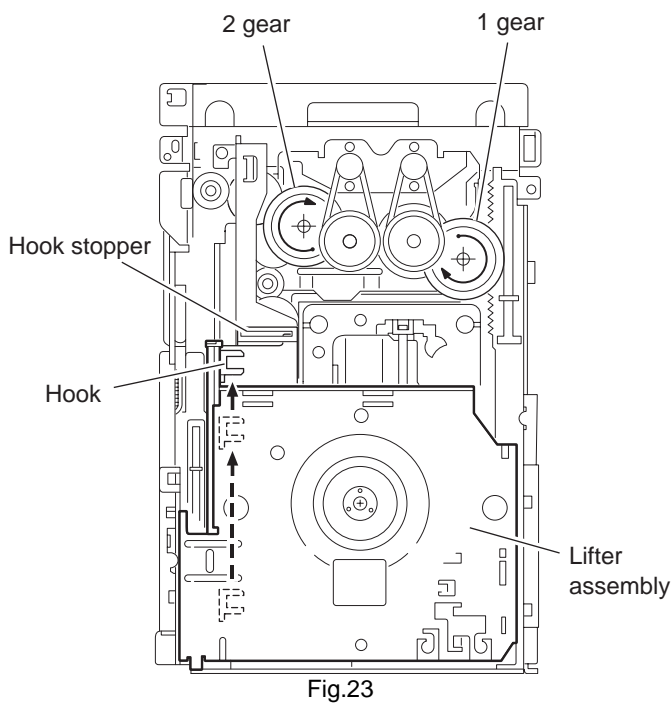


Fig.23

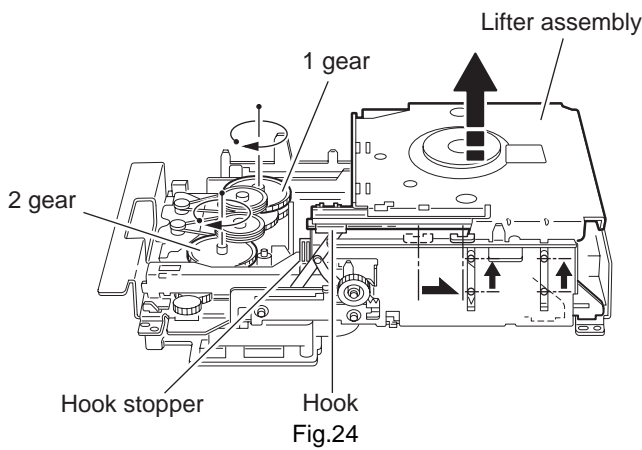


Fig.24

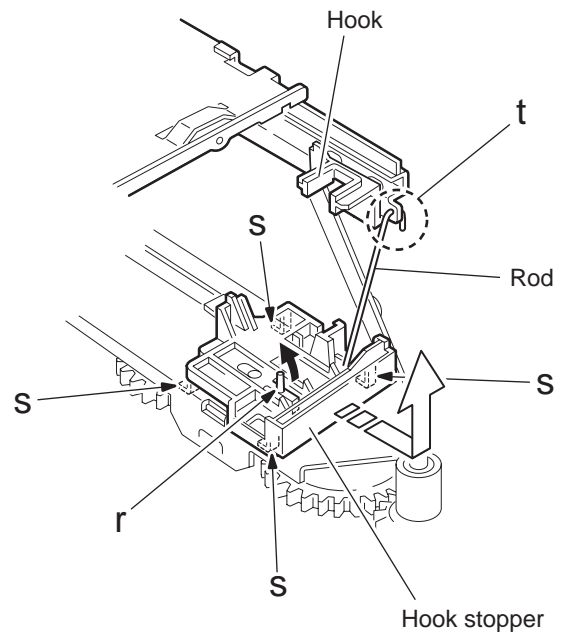


Fig.25

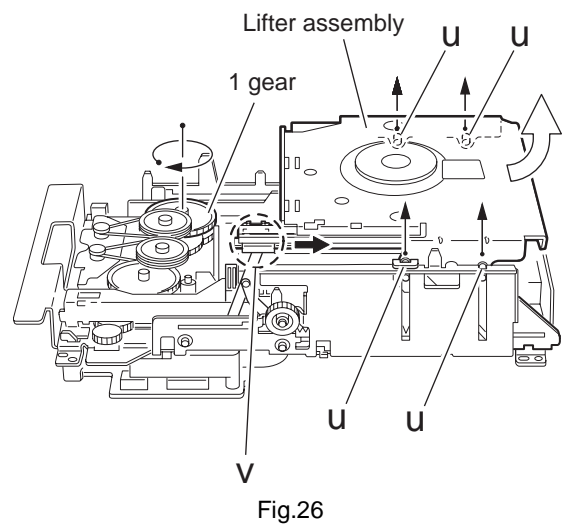


Fig.26

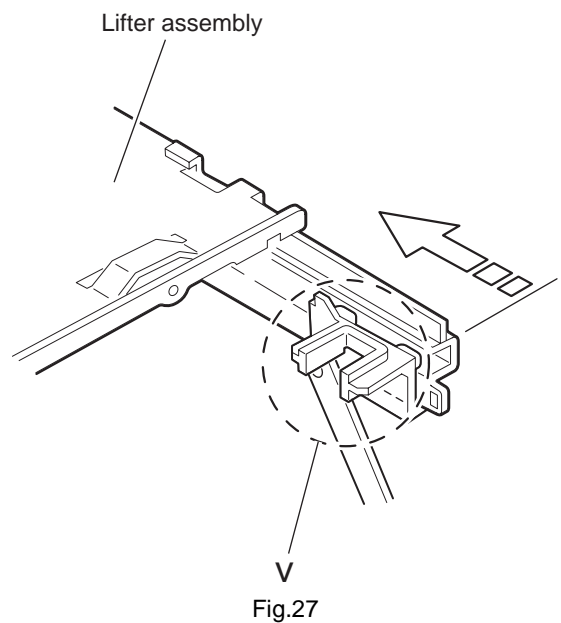


Fig.27

### 3.2.10 Removing the rack holder assembly/ sensor assembly (See Fig.28 ~ 33)

- Prior to performing the following procedure, remove the tray assembly, side (L)/ side (R) assembly, lifter assembly.

#### Attention:

If the slide gear of the body places at joint **w** of the rack holder assembly, turn the 1 gear counterclockwise to move the slide gear toward the front. Remove the rack holder assembly.

- (1) Remove the three screws **J** attaching the rack holder assembly. Release joint **w** from the notch.

#### Caution:

When reattaching the rack holder assembly, do not nip the wire **x** extending from the sensor assembly.

- (2) Remove the two screws **M** attaching the sensor assembly.
- (3) Move the sensor assembly in the direction of the arrow to release from the slot at joint **y**.
- (4) Remove the spring attached to the bottom of the sensor assembly from the boss **z** on the sensor slider.
- (5) Remove the screw **N** and **O** attaching the sensor board and SV resistor respectively. If necessary, unsolder the sensor board.

#### Caution:

When reattaching the SV resistor, attach the sensor slider to the sensor bracket and fit the lever on the bottom of the SV resistor into slot **a'** of the sensor slider.

#### Caution:

When reattaching the rack holder assembly, turn the 1 gear clockwise to move the slide gear and slide lever inside the body rearward.

- Let the wire extending from the sensor assembly through notch **x** to the bottom of the body.
- Fit pin **c'** of the slide lever into hole **b'** of the sensor slider on the bottom of the sensor assembly while attaching the spring to the boss **z** of the sensor slider.
- Engage joint **y** of the sensor assembly to the notch of the body.

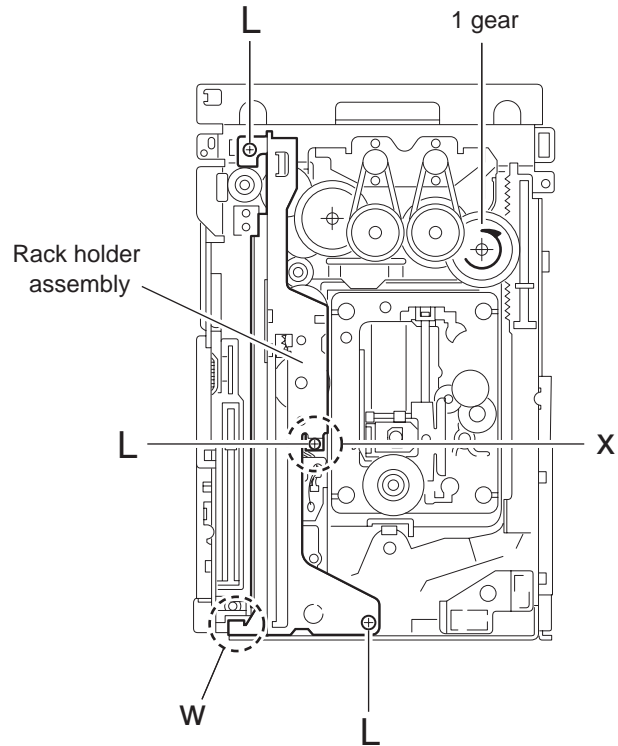


Fig.28

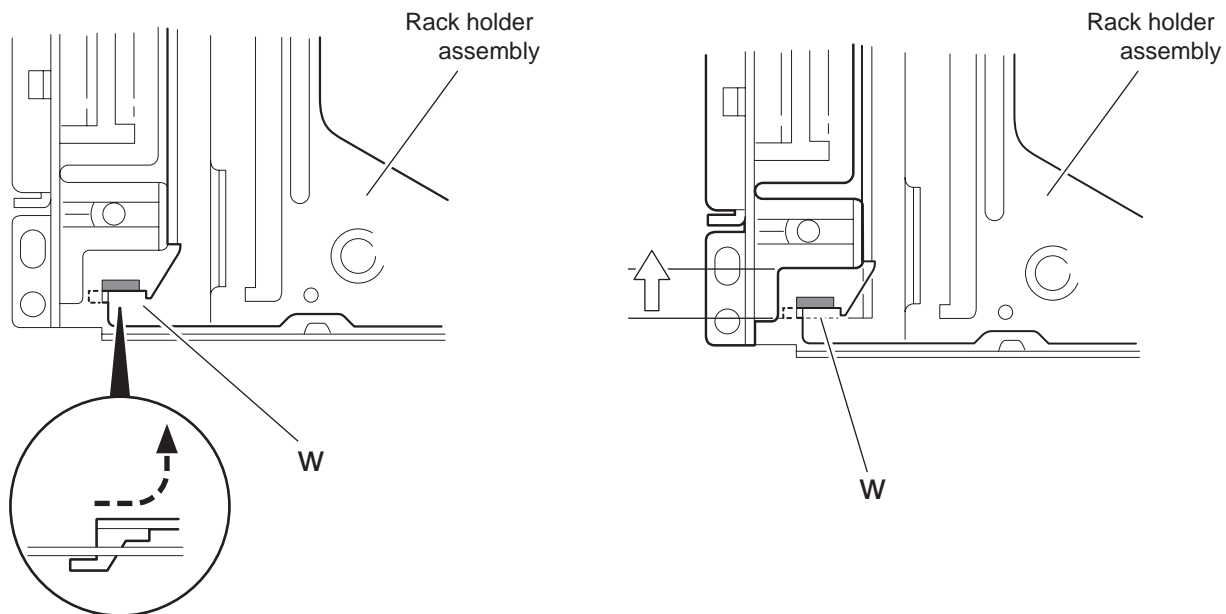


Fig.29

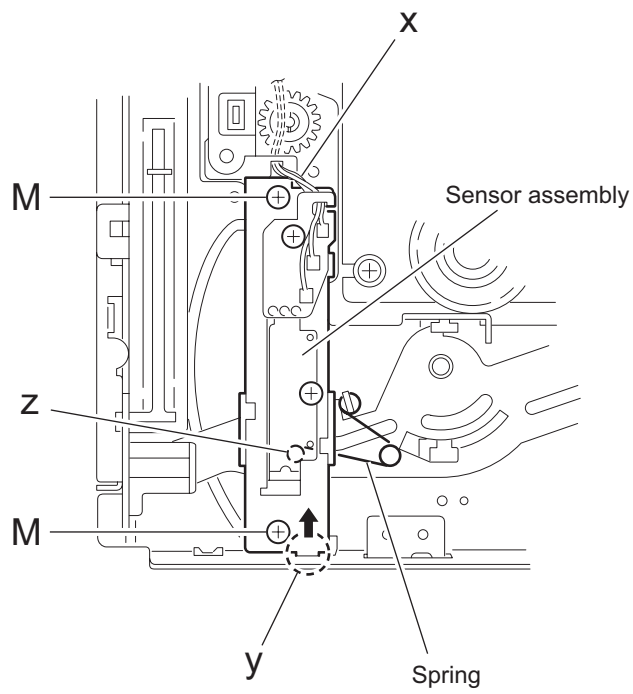


Fig.30

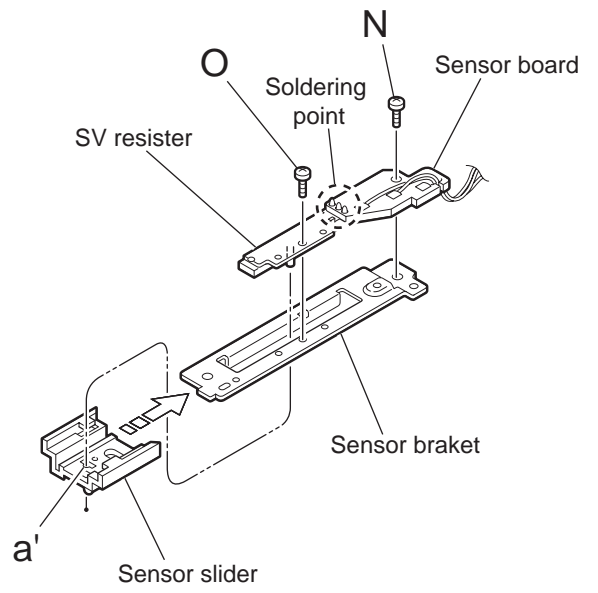


Fig.32

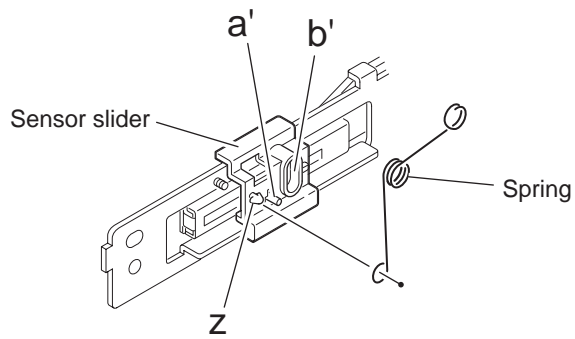


Fig.31

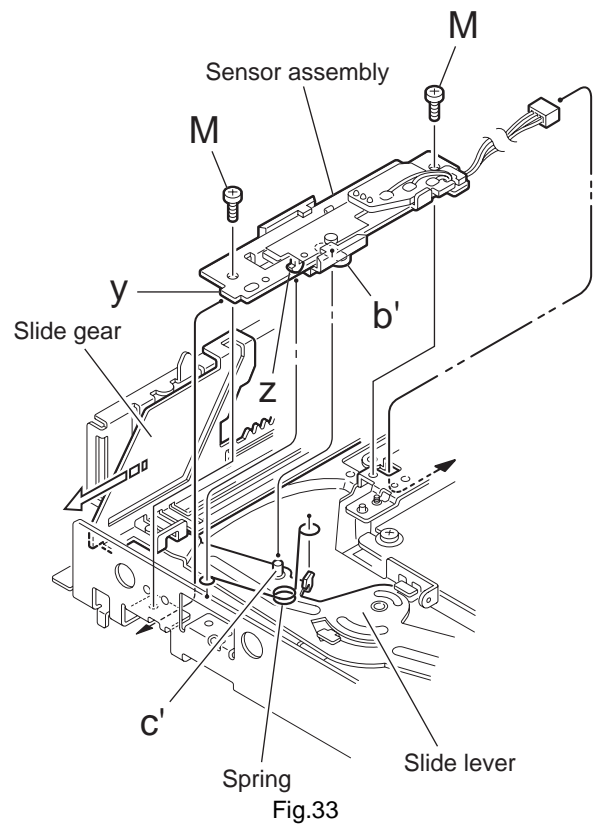


Fig.33



### 3.2.11 Removing the motor (See Fig.34 ,35)

- Prior to performing the following procedure, remove the servo control board and top cover.

**Attention:**

You need not to remove the tray assembly, and in such case, move it.

- (1) Remove the two belts on top of the body.
- (2) Remove the four screws **N** attaching the motor.
- (3) Remove the motor board from the bottom of the body.  
(Refer to the section "Removing the motor board".)

**Attention:**

When removing the motor board with the motor, you need not to unsolder four soldered parts.

**Caution:**

When reattaching the motor, turn the side where the label should be put to the front side.

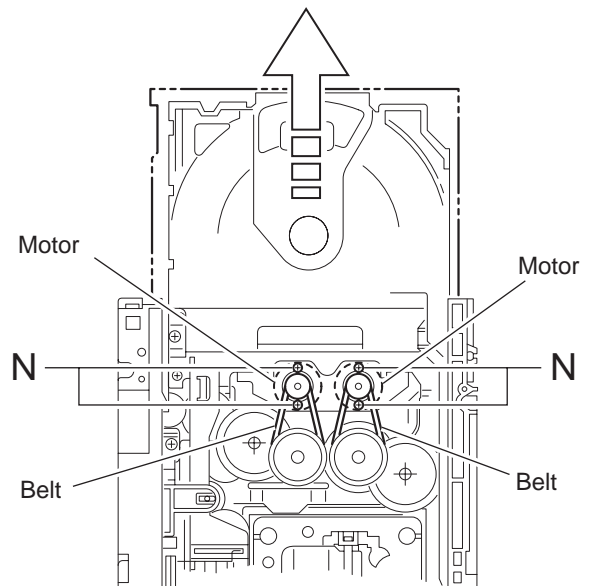


Fig.34

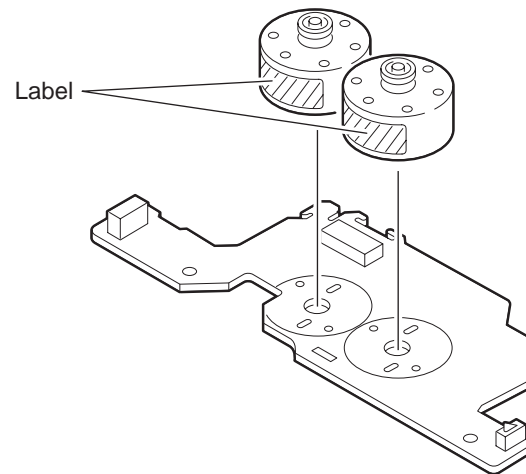


Fig.35

**3.2.12 Taking out the CD in play mode**  
(See Fig.36 ~ 39)

**Attention:**

Refer to "Removing the tray assembly".

- (1) Remove the top cover upward.
- (2) Unlock the tray assembly and draw out the tray assembly toward the front.
- (3) From top of the body, turn the 1 gear clockwise to move the lifter assembly upward.
- (4) From top of the body, turn the 2 gear clockwise to move the sub tray remaining inside the lifter assembly toward the front, then pull out.
- (5) Take out the CD on the sub tray.
- (6) After clearing away the CD, insert the sub tray into the main tray.

**Caution:**

When reattaching the sub tray, move the tray stopper on the bottom of the main tray in the direction of the arrow to lock the sub tray certainly.

- (7) Push the tray assembly toward the body and reattach.

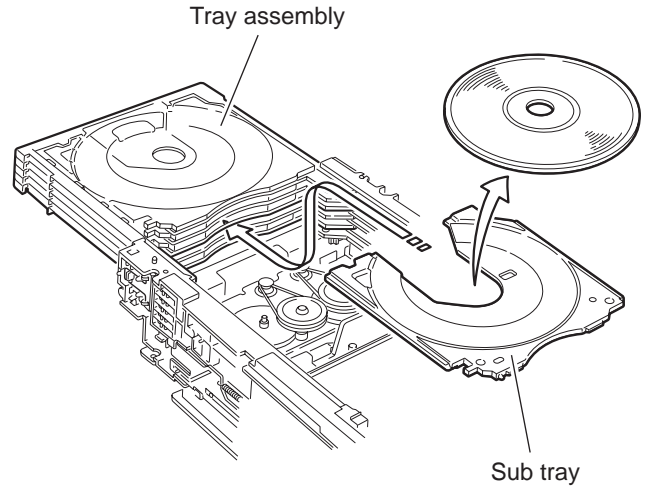


Fig.37

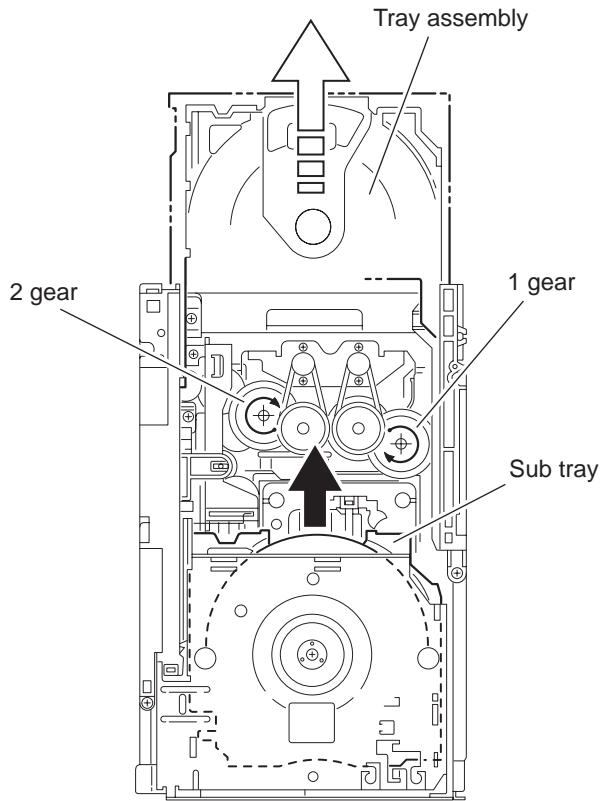


Fig.36

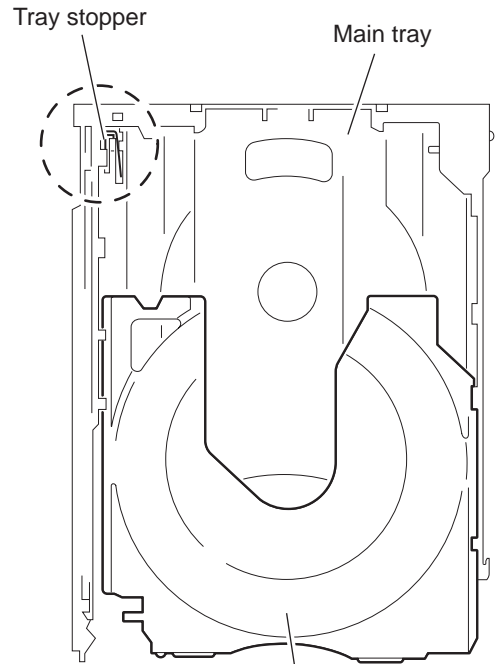


Fig.38

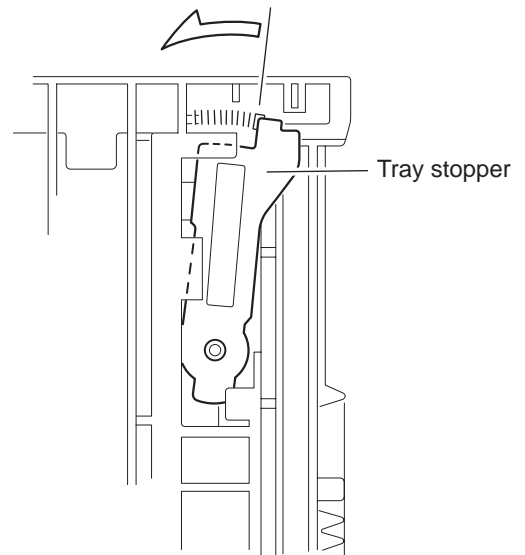


Fig.39

### 3.3 Cassette mechanism assembly

#### 3.3.1 Removing the Play/Record & Clear head (See Fig.1~3)

- (1) While moving the trigger arm on the right side of the head mount in the direction of the arrow, turn the flywheel R counterclockwise until the head mount comes ahead and clicks.
- (2) The head turns counterclockwise as you turn the flywheel R counterclockwise (See Fig.2 and 3).
- (3) Disconnect the flexible wire from connector [CN31](#) on the head amplifier & mechanism control board.
- (4) Remove the spring from the back of the head.
- (5) Loosen the azimuth screw for reversing attaching the head.
- (6) Remove the head on the front side of the head mount.

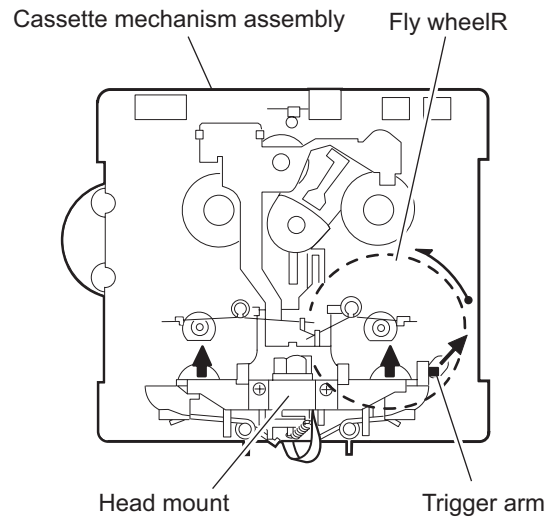


Fig.1

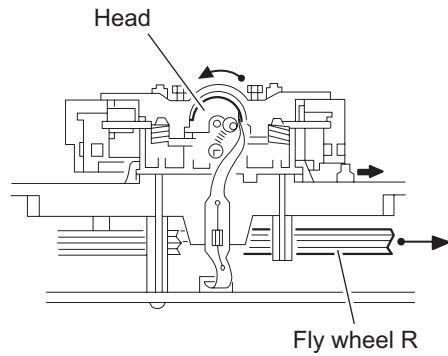


Fig.2

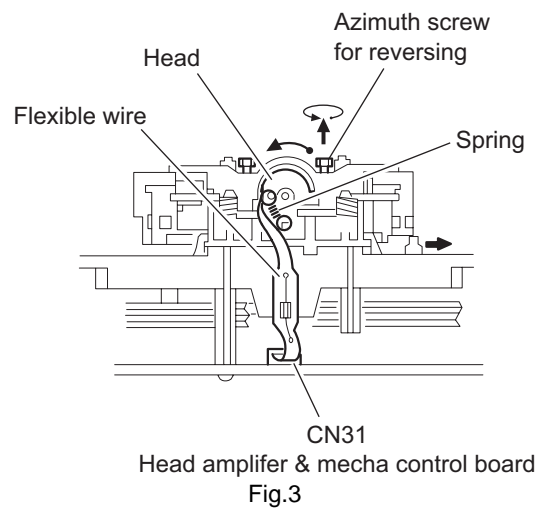


Fig.3

### 3.3.2 Removing the head amplifier & mechanism control board (See Fig.4)

- (1) Turn over the cassette mechanism assembly and remove the three screws **A** attaching the head amplifier & mechanism control board.
- (2) Disconnect the flexible wire from connector **CN31** on the head amplifier & mechanism control board.
- (3) Disconnect connector **CN32** of the head amplifier & mechanism control board from connector **CN1** on the reel pulse board. REFERENCE: If necessary, unsolder the 4-pin wire soldered to the main motor.

### 3.3.3 Removing the main motor (See Fig.4~7)

- (1) Remove the two screws **B**.
- (2) Half raise the motor and remove the capstan belt from the motor pulley.

#### ATTENTION:

Be careful to keep the capstan belt from grease. When reassembling, refer to Fig.6 and 7 for attaching the capstan belt.

Head amplifier & mecha control board

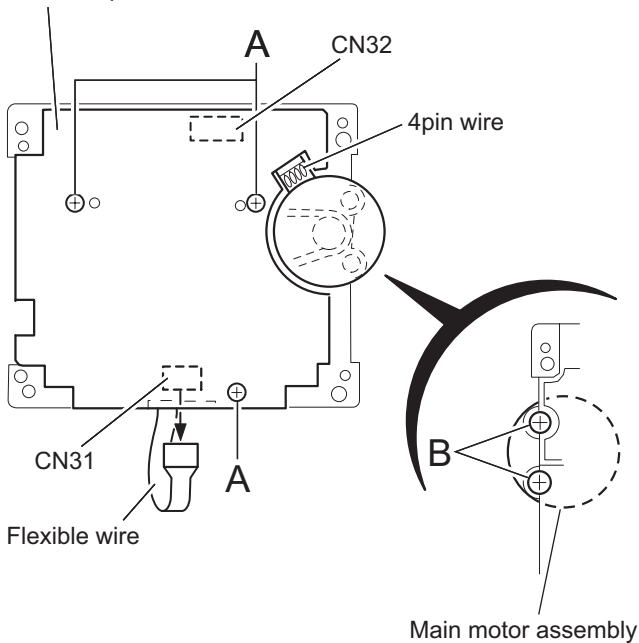


Fig.4

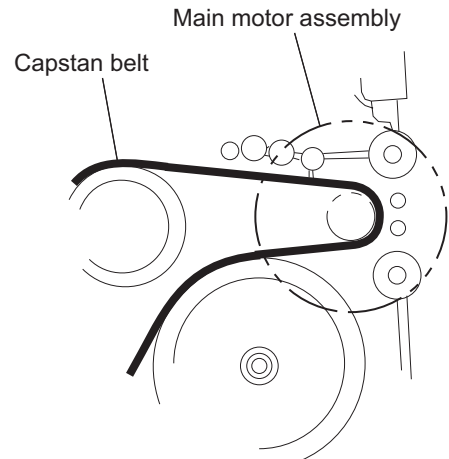


Fig.5

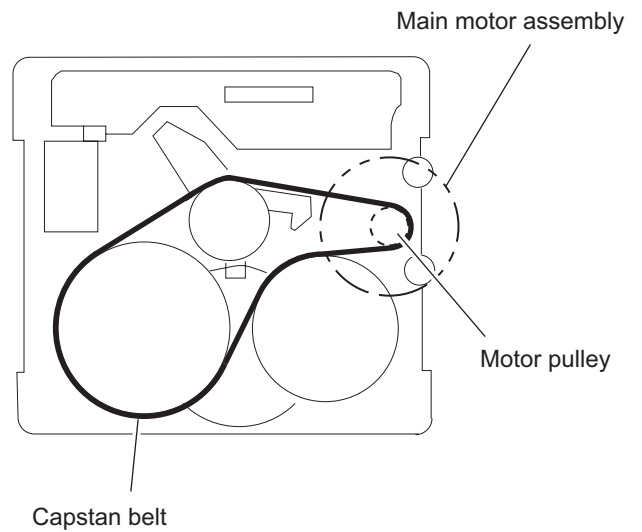


Fig.6

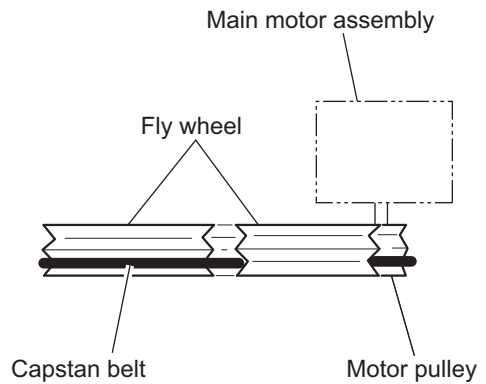


Fig.7

### 3.3.4 Removing the flywheel (See Fig.8, 9)

- Prior to performing the following procedure, remove the head amplifier & mechanism control board and the main motor assembly.
  - (1) From the front side of the cassette mechanism, remove the slit washers attaching the capstan shaft **L** and **R**. Pull out the flywheels backward.

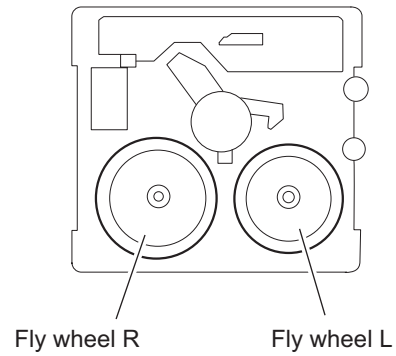


Fig.8

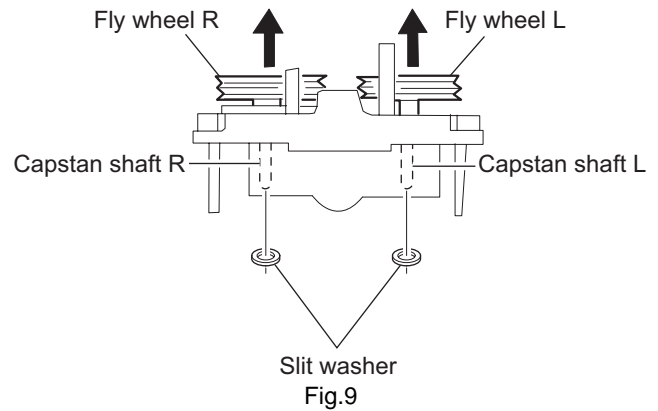


Fig.9

### 3.3.5 Removing the reel pulse board and solenoid (See Fig.10)

- Prior to performing the following procedure, remove the head amplifier & mechanism control board.
  - (1) Remove the screw **C**.
  - (2) Release the tab **a**, **b**, **c**, **d** and **e** retaining the reel pulse board.
  - (3) Release the tab **f** and **g** attaching the solenoid on the reel pulse board.
  - (4) The reel pulse board and the solenoid come off.

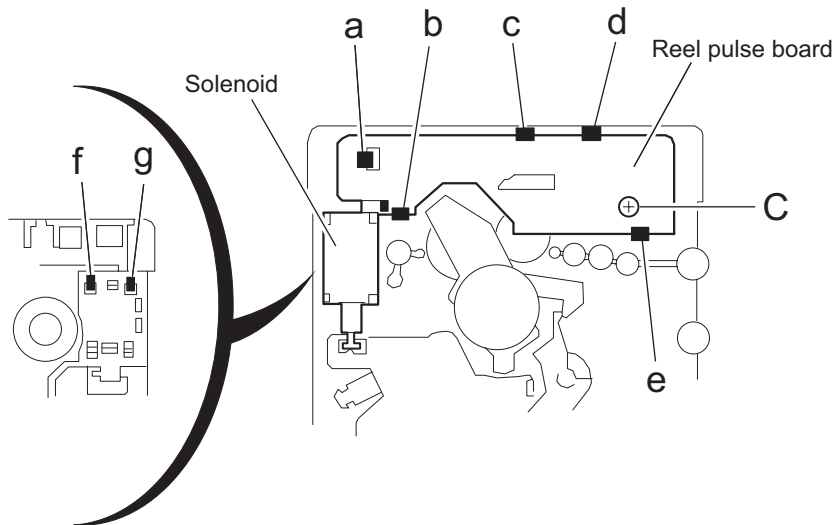


Fig.10

### 3.3.6 Reattaching the Play/ Record & Clear head (See Fig.11~13)

- (1) Reattaching the head mount assembly.
  - a) Change front of the direction cover of the head mount assembly to the left (Turn the head forward).
  - b) Fit the bosses **O'**, **P'**, **Q'**, **U'** and **V'** on the head mount assembly to the holes **P** and **V**, the slots **O**, **U** and **Q** of the mechanism sub assembly (See Fig.11 to 13).

**CAUTION:**

To remove the head mount assembly, turn the direction cover to the left to disengage the gear. If the gear can not be disengaged easily, push up the boss **Q'** slightly and raise the rear side of the head mounts slightly to return the direction lever to the reversing side.

- (2) Tighten the azimuth screw for reversing.
- (3) Reattach the spring from the back of the Play/ Record & Clear head.
- (4) Connect the flexible wire to connector **CN31** on the head amplifier & mechanism control board.

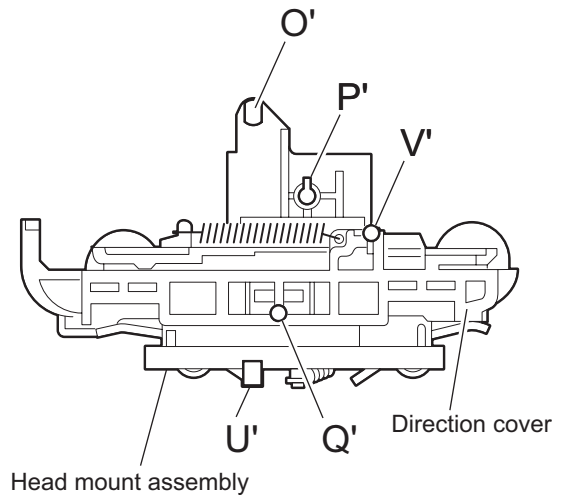


Fig.11

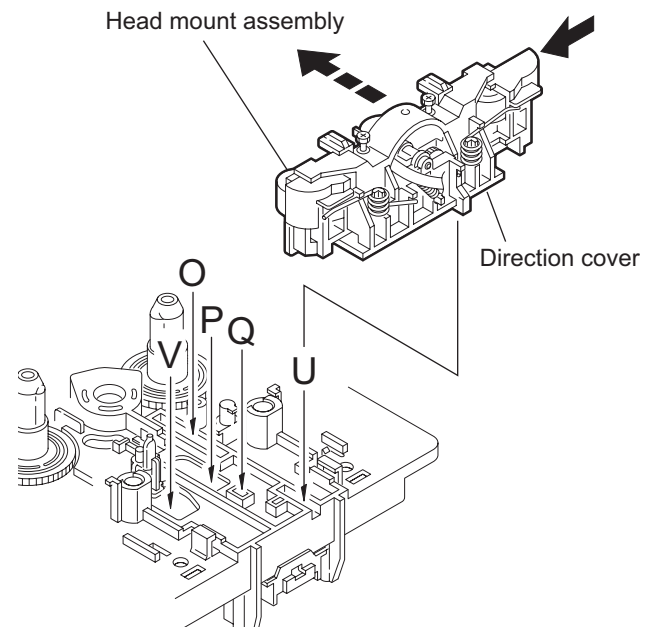


Fig.12

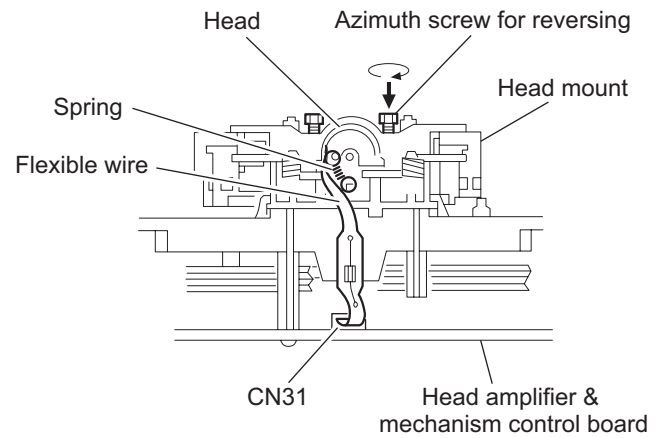


Fig.13

### 3.4 Speaker section

#### 3.4.1 Removing the Side cover (See Fig.1)

- (1) Removing the eight screws **A** on the side of the body.

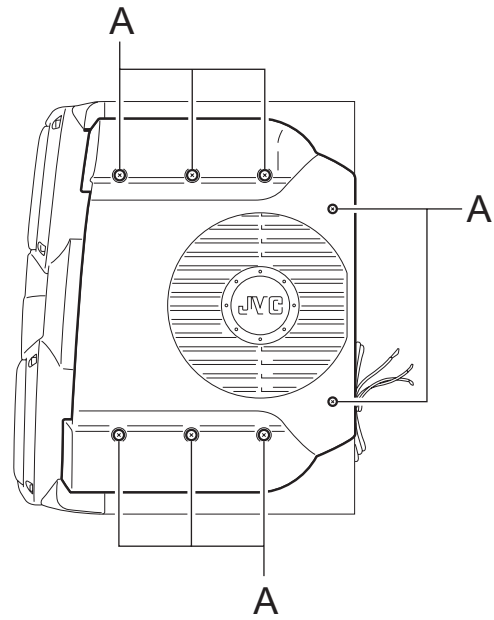


Fig.1

#### 3.4.2 Removing the sub woofer (See Fig.2)

- Prior to performing the following procedure, remove the side cover.
  - (1) Remove the four screws **B** attaching the sub woofer on the side of the body.
  - (2) Disconnect the red and black wires from the two terminals on the sub woofer.

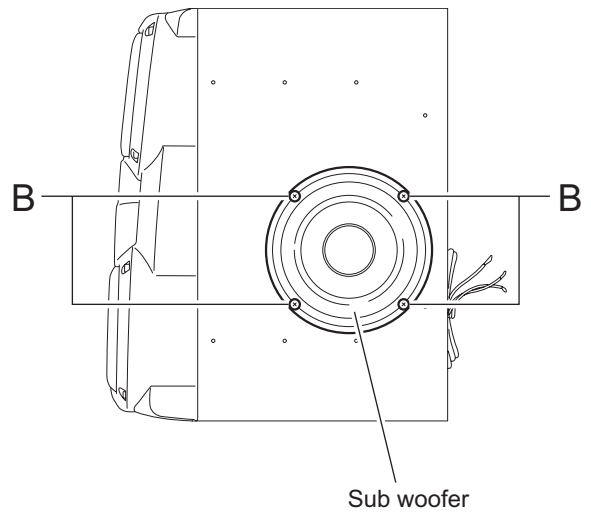


Fig.2

### 3.4.3 Removing the Front panel (See Fig.3, 4)

- Prior to performing the following procedure, remove the side cover.

#### CAUTION:

When removing the front panel from the body, do not break or damage them that are glued at the joint a (See Fig.3).

- (1) Remove the four screws **C** attaching the front panel.
- (2) Release the four joints **a**.
- (3) Disconnect the yellow and black wires from the two terminals on the tweeter on the back of the front panel.

### 3.4.4 Removing the tweeter (See Fig.4)

- Prior to performing the following procedure, remove the side cover and the front panel.
- (1) Remove the two screws **D** attaching the tweeter on the back of the front panel.

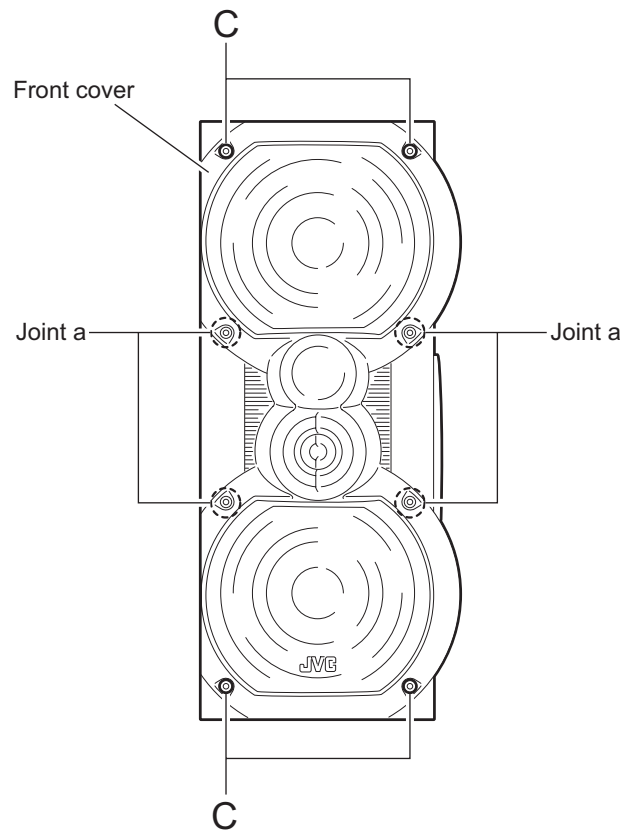


Fig.3

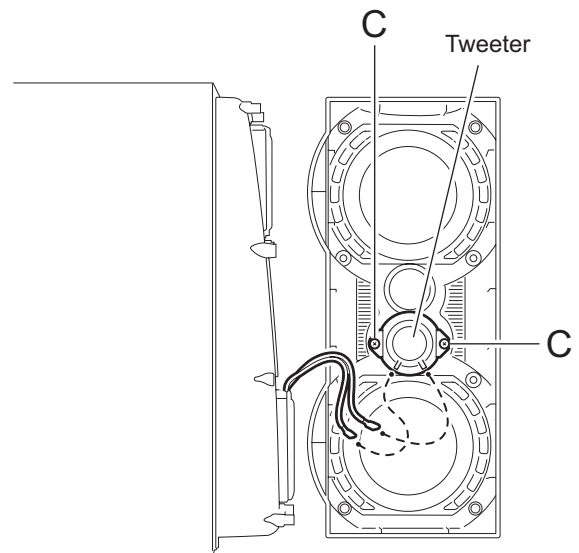


Fig.4

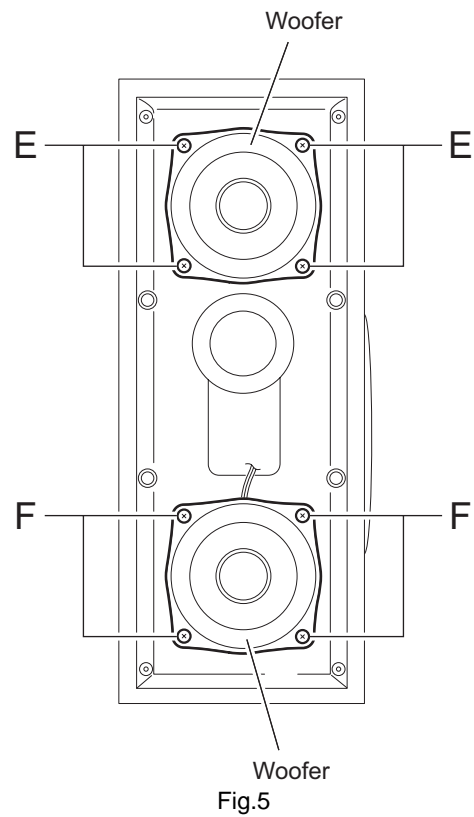


### 3.4.5 Removing the woofer (See Fig.5)

- Prior to performing the following procedure, remove the side cover and the front panel.
  - (1) Remove the four screws **E** attaching the woofer.
  - (2) Disconnect the red and black wires from the two terminals on the woofer.

### 3.4.6 Removing the woofer (See Fig.5)

- Prior to performing the following procedure, remove the side cover and the front panel.
  - (1) Remove the four screws **F** attaching the woofer.
  - (2) Disconnect the three black wires and the black, red and blue wires from the two terminals on the woofer respectively.



## SECTION 4 ADJUSTMENT

### 4.1 Measurement Instruments Required for Adjustment

- (1) Low frequency oscillator  
This oscillator should have a capacity to output 0dBs to 600Ω at an oscillation frequency of 50Hz-20kHz.
- (2) Attenuator impedance : 600Ω
- (3) Electronic voltmeter
- (4) Distortion meter
- (5) Frequency counter
- (6) Wow & flutter meter
- (7) Test tape  
VT703L : Head azimuth  
VT712 : Tape speed and running unevenness (3kHz)  
VT724 : Reference level (1kHz)
- (8) Blank tape  
TYPE I : AC-225  
TYPE II : AC-514
- (9) Torque gauge : For play and back tension  
FWD(TW2111A), REV(TW2121a) and FF/REW(TW2231A)
- (10) Test disc: CTS-1000

### 4.2 Measurement conditions

Power supply voltage	AC 230V, 50Hz
Reference output	Speaker : 0.775V/4Ω Headphone : 0.077V/32Ω

Reference frequency and input level	1kHz, AUX : -8dBs
Measurement output terminal	at Speaker J3002
Load resistance	4Ω

#### 4.2.1 Radio Input signal

AM frequency	400Hz
AM modulation	30%
FM frequency	400Hz
FM frequency deviation	22.5kHz

#### 4.2.2 Tuner section

FM tuning range: 87.5MHz~108.00MHz

AM tuning range: 522kHz~1,629kHz

Voltage applied to tuner	+B : DC5.7V VT : DC 12V
Reference measurement output	26.1mV(0.28V)/3Ω
Input positions	AM : Standard loop antenna FM : TP1 (hot) and TP2 (GND)

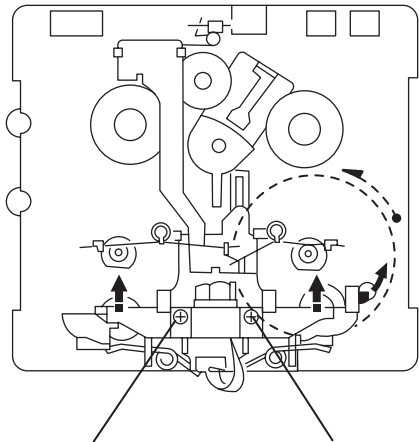
#### 4.2.3 Standard measurement position of volume

Function switch	to Tape
Beat cut switch	to Cut
Super Bass/Active hyper Bass	to OFF
Bass Treble	to Center
Adjustment of main volume to reference output	VOL : 0.775V

#### Precautions for measurement

- (1) Apply 30pF and 33kΩ to the IF sweeper output side and 0.082μ F and 100kΩ in series to the sweeper input side.
- (2) The IF sweeper output level should be made as low as possible within the adjustable range.
- (3) Since the IF sweeper is a fixed device, there is no need to adjust this sweeper.
- (4) Since a ceramic oscillator is used, there is no need to perform any MIX adjustment.
- (5) Since a fixed coil is used, there is no need to adjust the FM tracking.
- (6) The input and output earth systems are separated. In case of simultaneously measuring the voltage in both of the input and output systems with an electronic voltmeter for two channels, therefore, the earth should be connected particularly carefully.
- (7) In the case of BTL connection amp., the minus terminal of speaker is not for earthing. Therefore, be sure not to connect any other earth terminal to this terminal. This system is of an BTL system.
- (8) For connecting a dummy resistor when measuring the output, use the wire with a greater code size.
- (9) Whenever any mixed tape is used, use the band pass filter (DV-12).

### 4.3 Cassette mechanism adjustment

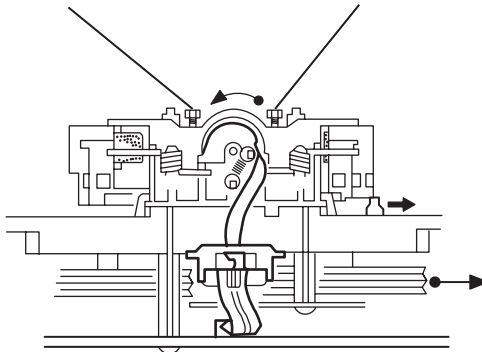


Head azimuth  
adjustment screw  
(Forward side)

Head azimuth  
adjustment screw  
(Reverse side)

Head azimuth  
adjustment screw  
(Forward side)

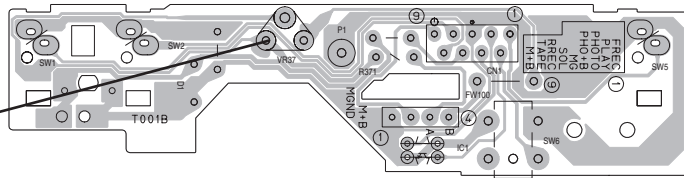
Head azimuth  
adjustment screw  
(Reverse side)



CN31

R/P head, Erase head

Mecha control board



#### 4.3.1 Mechanism section

Item	Condition	Measurement method	Ref. value	Adjustment position
Head azimuth	Test tape :VT703L (8kHz) Output terminal :Speaker out	(1) Playback the test tape VT703L (8kHz). (2) Adjust to maximum output level by azimuth adjustment screw for forward side and reverse side. (3) This adjustment is adjust by adjustment screw of forward side and adjustment screw of reverse side.	Maximum output	Only adjust at changed head
Tape speed	Test tap :VT712 (3kHz) Output terminal :Speaker out or Headphone out	Playback the test tape VT712 (3kHz) at end of forward side,adjust to 2,940~3,90Hz indication of frequency counter by VR37.	2,940 ~ 3,090Hz	<a href="#">VR37</a>

Item	Condition	Measurement method	Ref. value	Adjustment position
Tape speed diviation at FWD/ REV	Test tape : VT712 (3kHz) Output terminal :Speaker out or Headphone out	Playback the test tape VT712 (3kHz) at end of forward and reverse, tape speed deviation should be less than 6.0Hz.	Leass than 6.0Hz	<a href="#">VR31</a>
Wow & Flutter	Test tape : VT712 (3kHz) Output terminal :Speaker out or Headphone out	Playback the test tape VT712 (3kHz) at start of forward and reverse, Wow & Flutter are should be less than 0.25%(WRMS).	Less than 0.25% (WRMS)	

### 4.3.2 Electrical adjustment

Item	Condition	Measurement method	Ref. value	Adjustment position
Recording BIAS adjustment	<ul style="list-style-type: none"> <li>Forward or Reverse</li> <li>Test tape : AC-514 TYPE II : AC-225 TYPE I</li> <li>Output terminal Recording head</li> </ul>	<ol style="list-style-type: none"> <li>Set the test tape(AC-514 TYPE II and AC-225 TYPE I), then make REC/ PAUSE condition.</li> <li>Connect 100Ω to recording head by series, then connect to VTVM for measurement the current.</li> <li>After setting, start the recording by release the PAUSE, in this time bias current adjust to next fig. by <a href="#">VR31</a> for Lch and <a href="#">VR32</a> for Rch. 4.0 μA (TYPE II) and 4.20 μA (TYPE I).</li> </ol>	AC-225 : 4.20μA AC-514 : 4.0μA	<a href="#">VR31</a>
R/P playback frequency response	<ul style="list-style-type: none"> <li>Reference frequency : 1kHz / 10kHz (Reference: -20dB)</li> <li>Test tape : AC-514 TYPE II</li> <li>Input terminal : OSC IN</li> </ul>	<ol style="list-style-type: none"> <li>Set the test tape (AC-514 TYPE II), then make REC/PAUSE condition.</li> <li>Release the PAUSE, then start recording the 1kHz and 10kHz of reference frequency from oscillator.</li> <li>Playback the recorded position, 1kHz and 10kHz output deviation should -1dB 2dB to readjust by <a href="#">VR31</a> for Lch and <a href="#">VR32</a> for Rch.</li> </ol>	Output deviation 1kHz/10kHz : -1dB ± 2dB	<a href="#">VR31</a>

### 4.3.3 Electrical response confirmation

Item	Condition	Measurement method	Ref. value	Adjustment position
Recording bias current	<ul style="list-style-type: none"> <li>Forward or Reverse</li> <li>Test tape : TYPE II (AC-514)</li> <li>Measurement terminal : BIAS test point on printed circuit board</li> </ul>	<ol style="list-style-type: none"> <li>Change BIAS1 and 2, confirm the frequency should be change.</li> <li>Set the test tape (AC-514 TYPE II), then make REC/PAUSE condition.</li> <li>Confirm the frequency should 100Hz ± 6kHz at BIAS test point on printed circuit board.</li> </ol>	100 kHz ± 6 kHz	
Erase current (reference value)	<ul style="list-style-type: none"> <li>Forward or Reverse</li> <li>Rec condition Test tape : AC-514 TYPE II : AC-225 TYPE I</li> <li>Measurement terminal Both side of Erase head</li> </ul>	<ol style="list-style-type: none"> <li>Set the test tape (AC-514 TYPE II and AC-225 TYPE I), then make REC/ PAUSE condition.</li> <li>Release the PAUSE to REC condition, connect 1W to ERASE head by series, then confirm the erase current at both side of erase head.</li> </ol>	TYPE II : 120 mA TYPE I : 75 mA	

### 4.4 CD changer mechanism adjustment

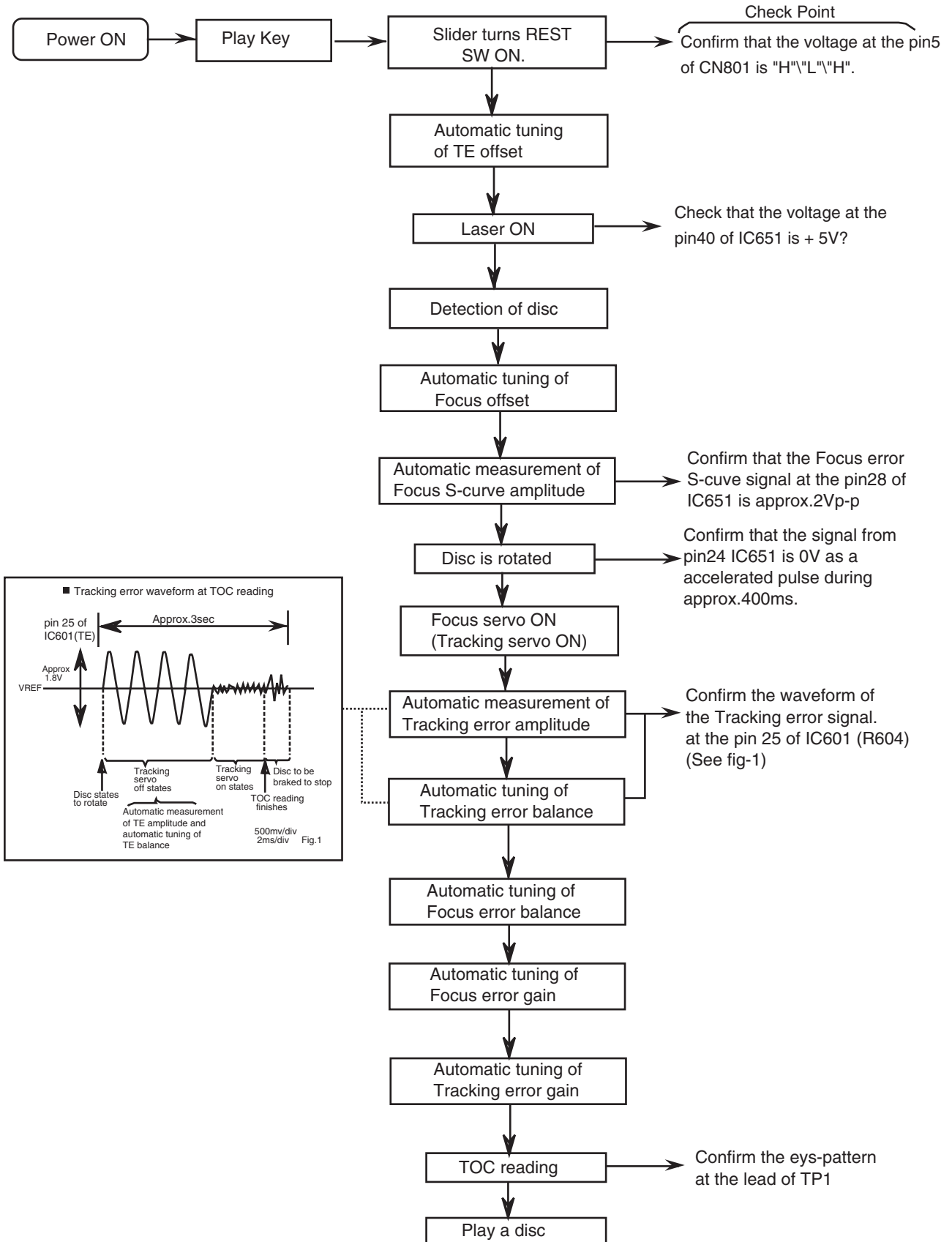
**When a mechanism or a printed circuit board, it is required to write a mechanism position in E2PROM.**

#### A write-in procedure

- step1: Press together the Reverse key (main body) and Clock key of main body at standby condition.
- step2: Keep this condition then power switch to turn ON.
- step3: Mechanism done the initialize operation automatically.
- step4: Complete the initialize operation.
- step5: Power switch to turn OFF.
- step6: Complete the write-in to E2PROM.

# SECTION 5 TROUBLE SHOOTING

## 5.1 Flow of functional operation until TOC read (CD)



## 5.2 Maintenance of laser pickup (CD)

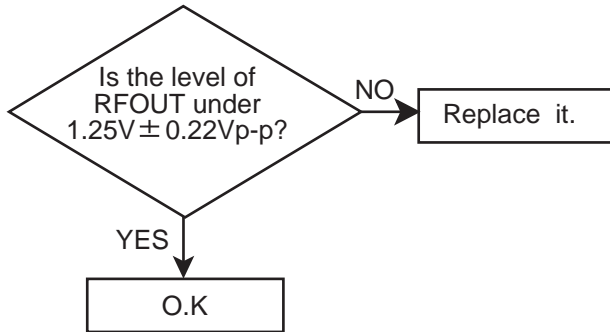
### (1) Cleaning the pick up lens

Before you replace the pick up, please try to clean the lens with a alcohol soaked cotton swab.

### (2) Life of the laser diode

When the life of the laser diode has expired, the following symptoms will appear.

- The level of RF output (EFM output : amplitude of eye pattern) will below.



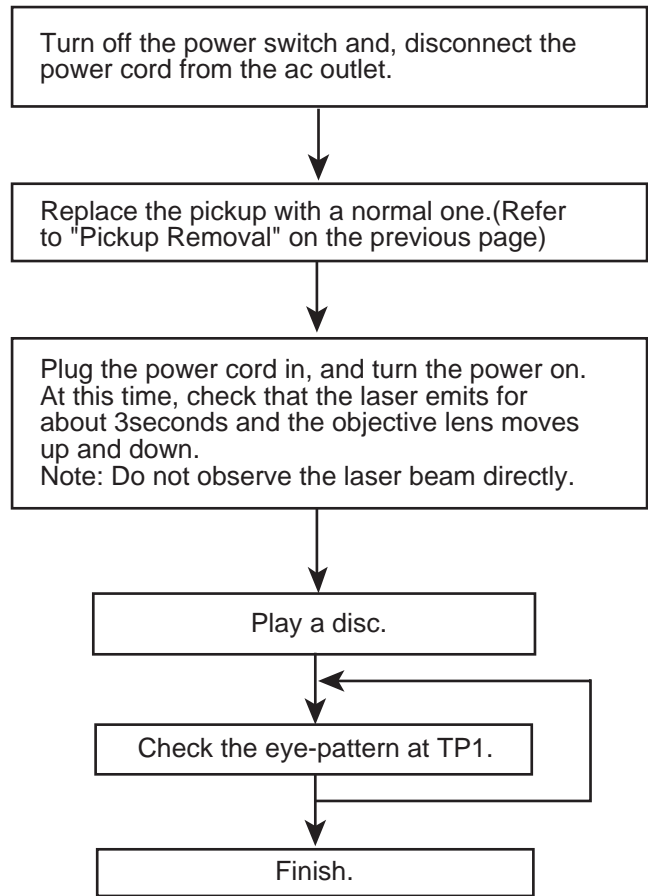
### (3) Semi-fixed resistor on the APC PC board

The semi-fixed resistor on the APC printed circuit board which is attached to the pickup is used to adjust the laser power. Since this adjustment should be performed to match the characteristics of the whole optical block, do not touch the semi-fixed resistor.

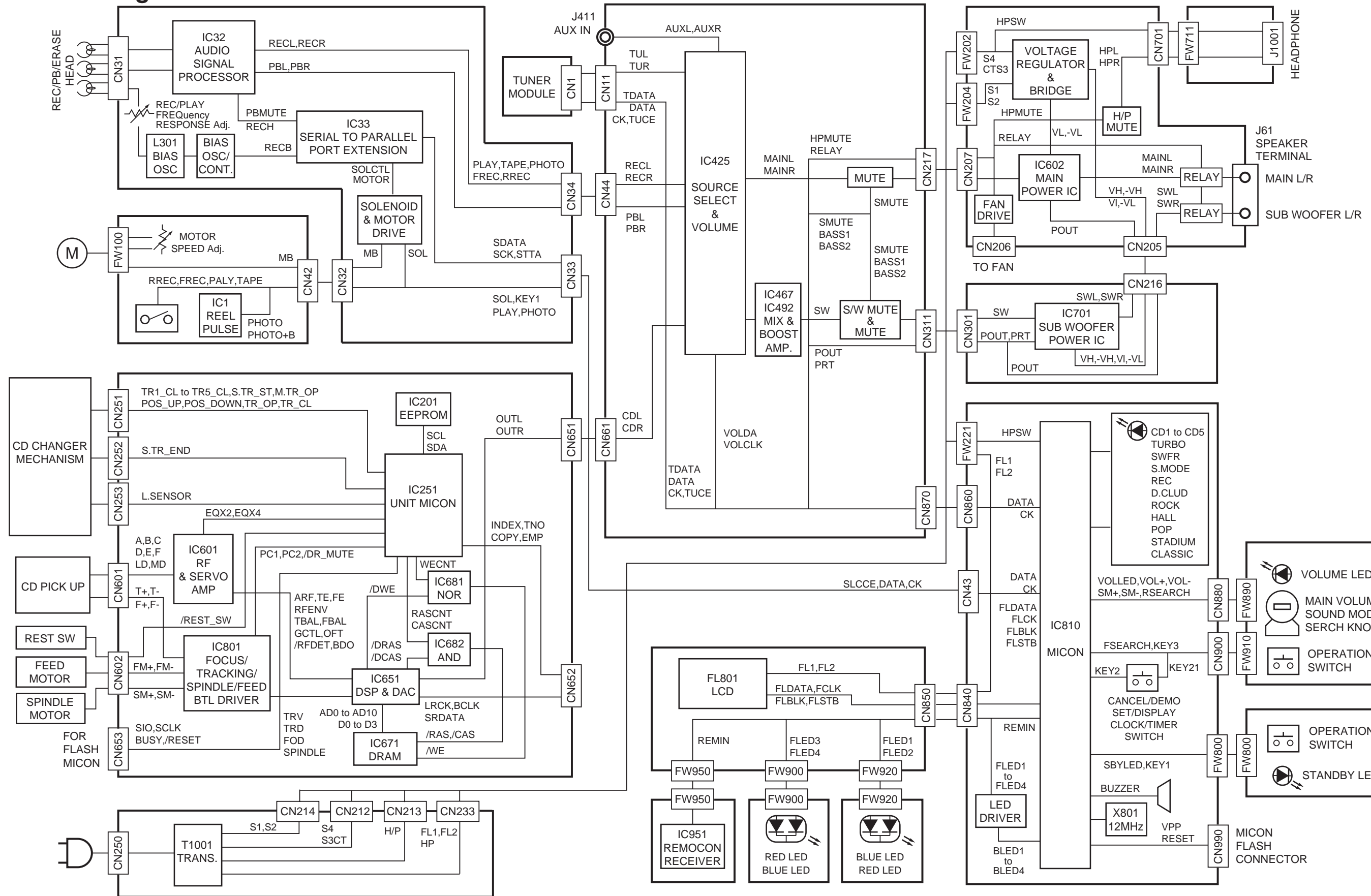
If the laser power is lower than the specified value, the laser diode is almost worn out, and the laser pickup should be replaced.

If the semi-fixed resistor is adjusted while the pickup is functioning normally, the laser pickup may be damaged due to excessive current.

## 5.3 Replacement of laser pickup (CD)



# Block diagram

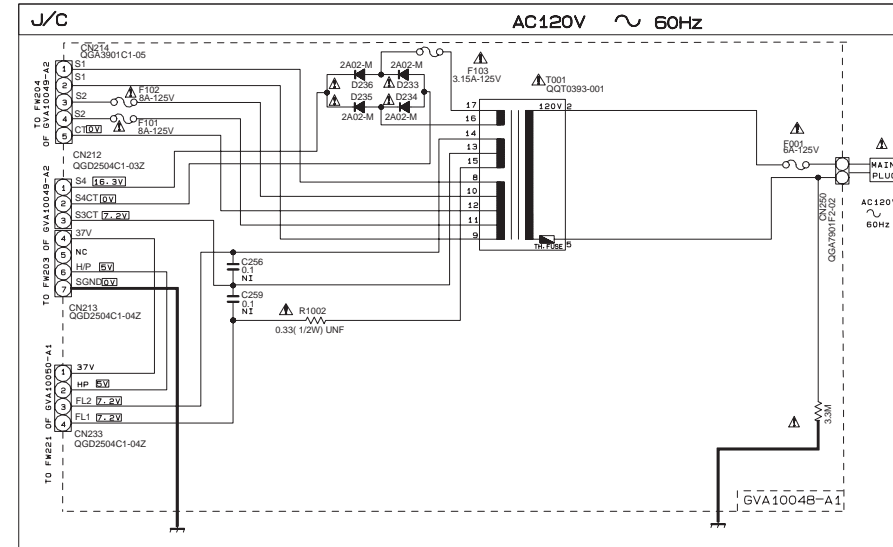




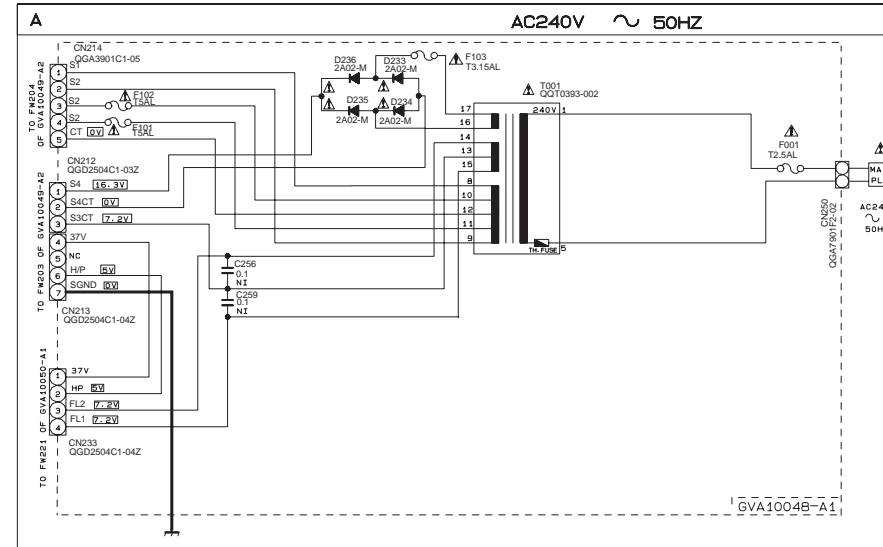
# Standard schematic diagrams

## Primary section

POWER SUPPLY BLOCK



POWER SUPPLY BLOCK

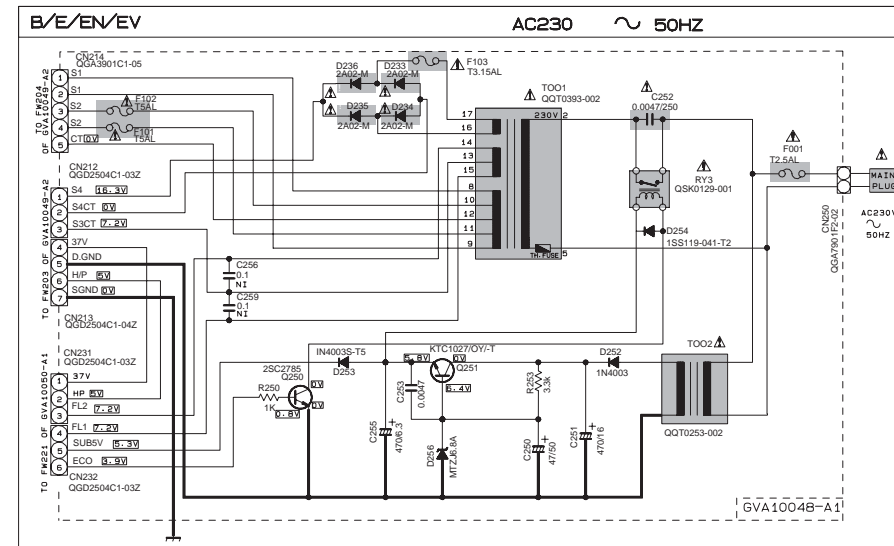


EXPLANATION OF OVERALL OF SCHEMA.  
MODEL HX-Z10

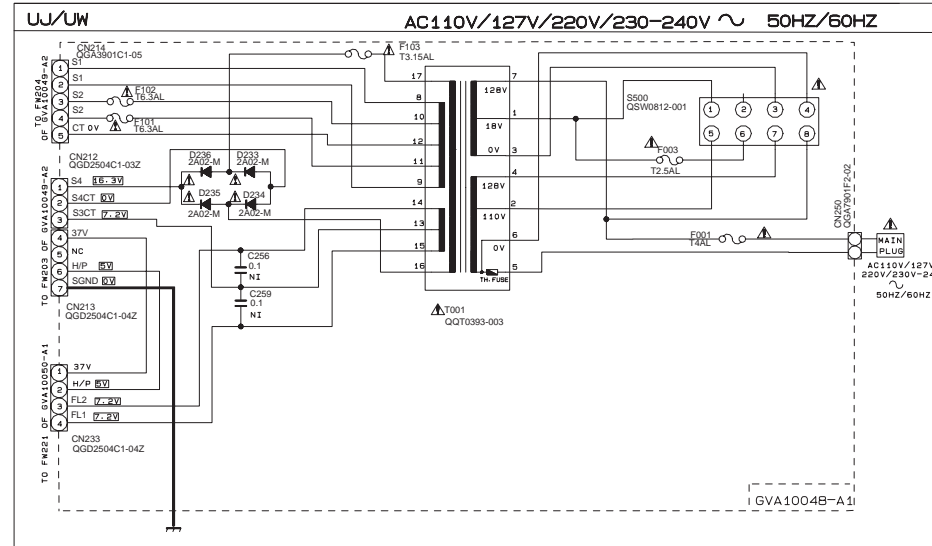
SHEET NUMBER	CIRCUITS DESCRIPTION
1/6	PRIMARY WITH MAINS TRANSFORMER
2/6	DC REGULATORS/AUDIO OUTPUT
3/6	EXTERNAL INPUT, SOURCE SELECTOR SWITCH
4/6	FL DISPLAY, SYSTEM CONTROL LSI, USER CONTROL KEYS
5/6	CD SERVO AND CD SYSTEM CONTROL CD CHANGER MECHANISM CONTROL
6/6	TAPE DECK MECHANISM CONTROL TAPE CIRCUITS SUCH AS PRE-AMP AND BIAS

Parts are safety assurance parts.  
When replacing those parts make sure to use the specified one.

POWER SUPPLY BLOCK



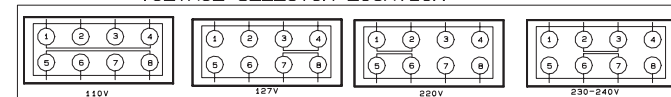
POWER SUPPLY BLOCK



VERSION CODES

J	U.S.A.
C	CANADA
B	U.K.
E	CONTINENTAL EUROPE
EN	INDIC COUNTRIES
EV	EASTERN EUROPE & RUSSIA
A	AUSTRALIA
UJ	MILITARY
UW	SOUTH AMERICA EXCEPT ARGENTINA

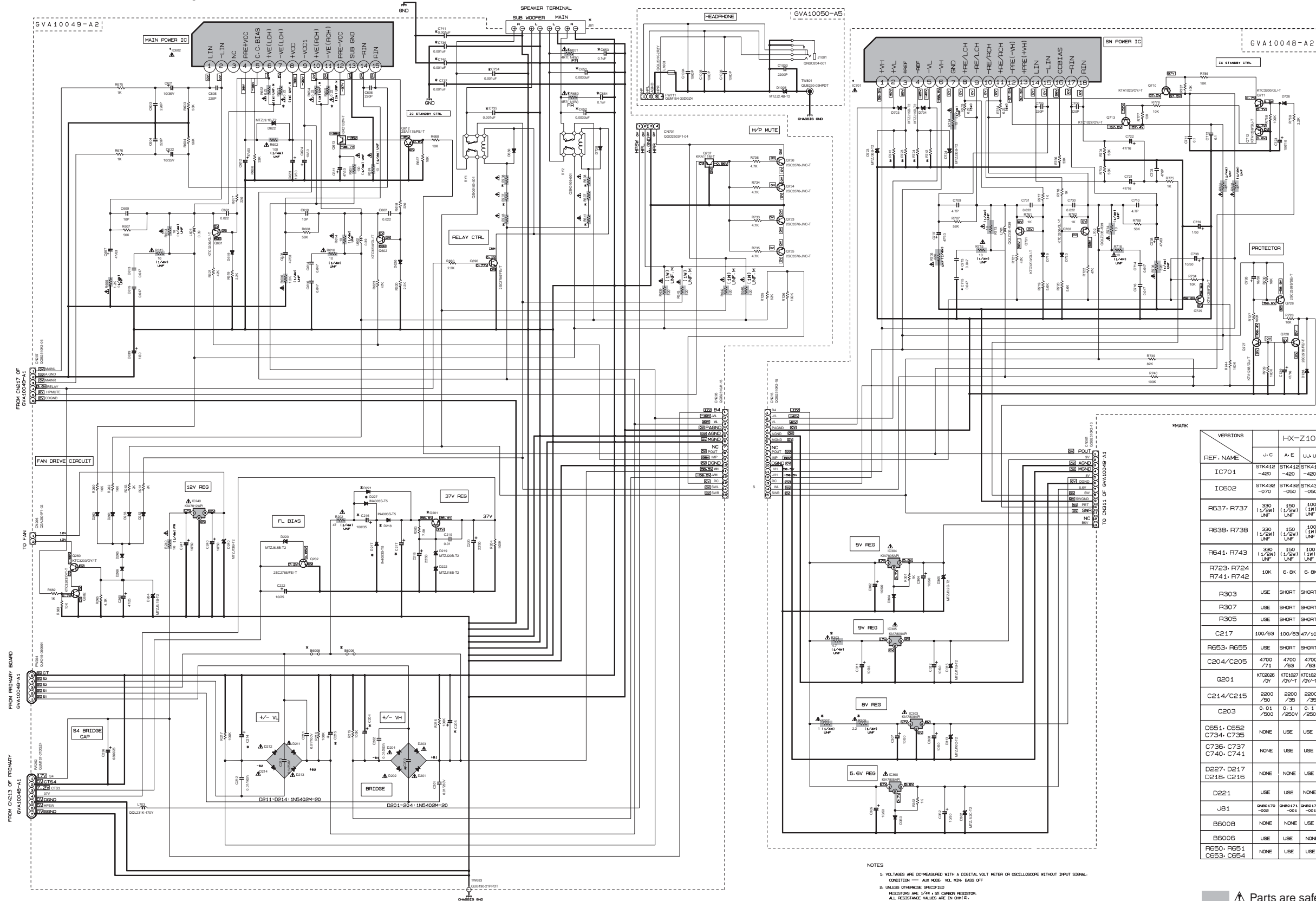
VOLTAGE SELECTOR LOCATION



NOTE

- VOLTAGES ARE DC-MEASURED WITH A DIGITAL VOLT METER OR OSCILLOSCOPE WITHOUT INPUT SIGNAL.  
CONDITION — AUX MODE, VOL MIN, BASS OFF
- UNLESS OTHERWISE SPECIFIED  
RESISTORS ARE 1/4W ± 5% CARBON RESISTOR.  
ALL RESISTANCE VALUES ARE IN OHM(S).  
ALL CAPACITORS ARE CERAMIC CAPACITOR OR MYLAR CAPACITOR.  
ALL CAPACITANCE VALUES ARE IN #F(PF).  
ALL INDUCTANCE VALUES ARE IN #H(MH).  
ALL E-CAPACITORS ARE SHOWN IN THE FORM OF CAPACITANCE (#F)/RATED VOLTAGE (V).  
ALL DIODES ARE 1SS119-041-T2
- NI-COMPONENT NOT INSERT

# Audio amp section

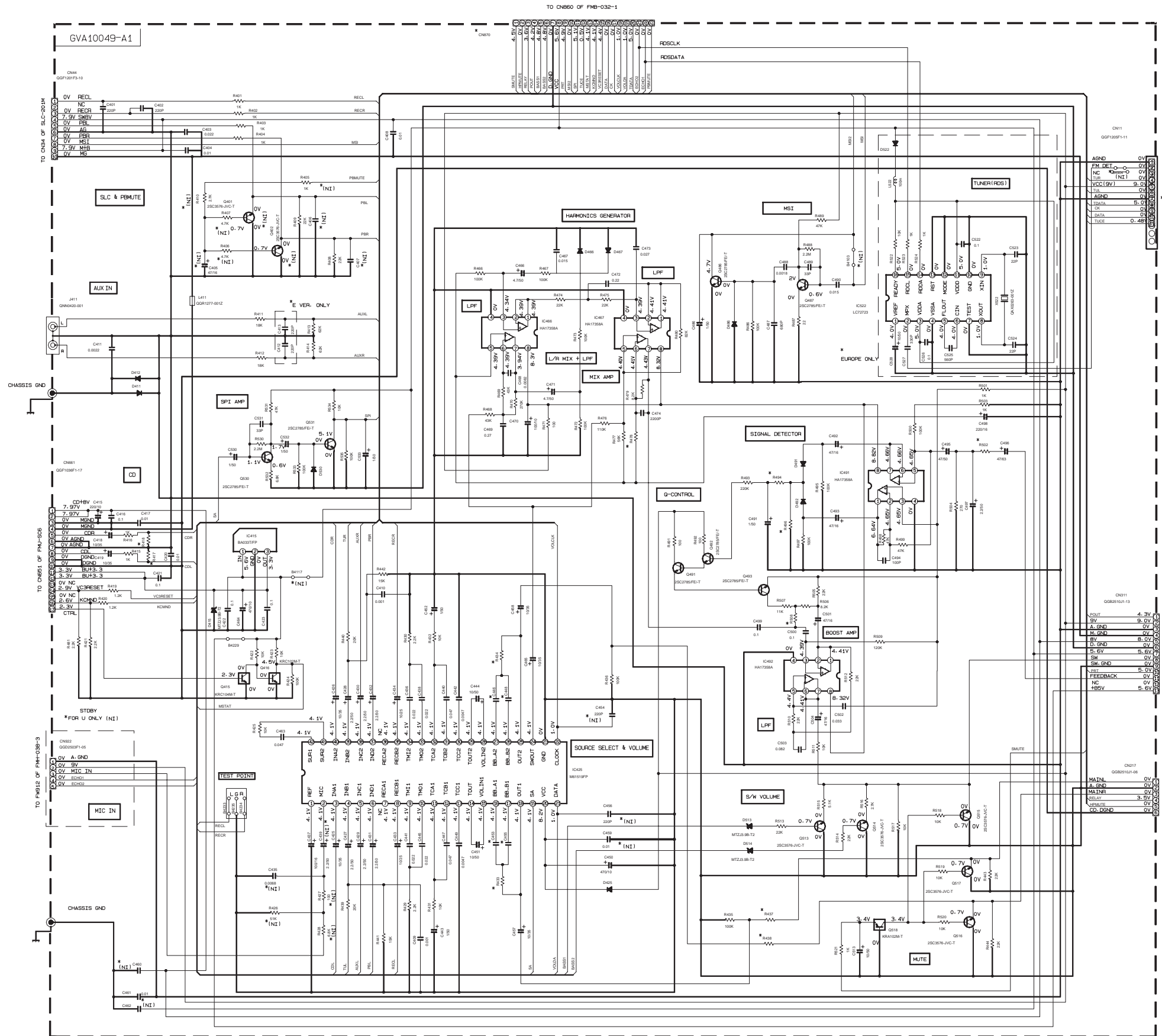


REF. NAME	HX-Z10			HX-Z30	
	J-C	A-E	UJ-UW	J-C	UW
IC701	STK412 -420	STK412 -420	STK412 -420	STK412 -420	STK412 -420
IC602	STK436 -070	STK436 -050	STK436 -050	STK436 -070	STK436 -070
R637, R737	330 (1/2W) UNF	150 (1/2W) UNF	100 (1W) UNF	330 (1/2W) UNF	180 (1W) UNF
R638, R738	330 (1/2W) UNF	150 (1/2W) UNF	100 (1W) UNF	330 (1/2W) UNF	180 (1W) UNF
R641, R743	330 (1/2W) UNF	150 (1/2W) UNF	100 (1W) UNF	330 (1/2W) UNF	180 (1W) UNF
R723, R724 R741, R742	10K	6.8K	6.8K	10K	10K
R303	USE	SHORT	SHORT	USE	SHORT
R307	USE	SHORT	SHORT	USE	SHORT
R305	USE	SHORT	SHORT	USE	SHORT
C217	100/63	100/63	47/100	100/63	47/100
R653, R655	USE	SHORT	SHORT	USE	USE
C204/C205	4700 /71	4700 /63	4700 /63	4700 /71	4700 /71
Q201	KT2006 /07	KT2006 /07	KT2006 /07	KT2006 /07	KT2006 /07
C214/C215	2200 /50	2200 /35	2200 /35	2200 /50	2200 /50
C203	0.01 /500	0.1 /250V	0.1 /250V	0.01 /500	0.1 /250V
C651, C652 C734, C735	NONE	USE	USE	NONE	USE
C736, C737 C740, C741	NONE	USE	USE	NONE	USE
D227, D217 D218, C216	NONE	USE	USE	NONE	USE
D221	USE	USE	NONE	USE	NONE
JB1	080170 -008	080170 -001	080170 -001	080170 -008	080170 -001
B6008	NONE	USE	USE	NONE	USE
B6006	USE	USE	NONE	USE	NONE
R650, R651 C653, C654	NONE	USE	USE	NONE	USE

NOTES  
 1. VOLTAGES ARE DC-MEASURED WITH A DIGITAL VOLT METER OR OSCILLOSCOPE WITHOUT INPUT SIGNAL.  
 CONDITION --- ALL RES: VOL NON-BIAS OFF  
 2. UNLESS OTHERWISE SPECIFIED:  
 RESISTORS ARE 1/4W ± 5% CARBON RESISTOR.  
 ALL RESISTOR VALUES ARE IN OHMS.  
 ALL CAPACITORS ARE CERAMIC CAPACITOR OR POLYMER CAPACITOR.  
 ALL CAPACITOR VALUES ARE IN pF(PPF).  
 ALL INDUCTANCE VALUES ARE IN mH(MH).  
 ALL ELECTROLYTIC CAPACITORS ARE IN THE FORM OF CAPACITANCE (μF)/RATED VOLTAGE (V).  
 ALL DIODES ARE 1SB119-041-12

⚠ Parts are safety assurance parts.  
 When replacing those parts make  
 sure to use the specified one.

■ Source select / E.volume section



MARK \*

MODEL	HX-Z10HX-Z30			
VERSION	J/C	U/L/W	A	B/E/EN/EV
CN870	09F1205F1-21			09F1205F1-23
L522	NOT USED			USED
D522	NOT USED			USED
R522	NOT USED			USED
R523	NOT USED			USED
R524	NOT USED			USED
R525	NOT USED			USED
R526	NOT USED			USED
X522	NOT USED			USED
C522	NOT USED			USED
C523	NOT USED			USED
C524	NOT USED			USED
C525	NOT USED			USED
C526	NOT USED			USED
C527	NOT USED			USED
C528	NOT USED			USED
C412	NOT USED			USED
C413	NOT USED			USED
TUNER MODULE	GAU0307-001			GAU0307B-002

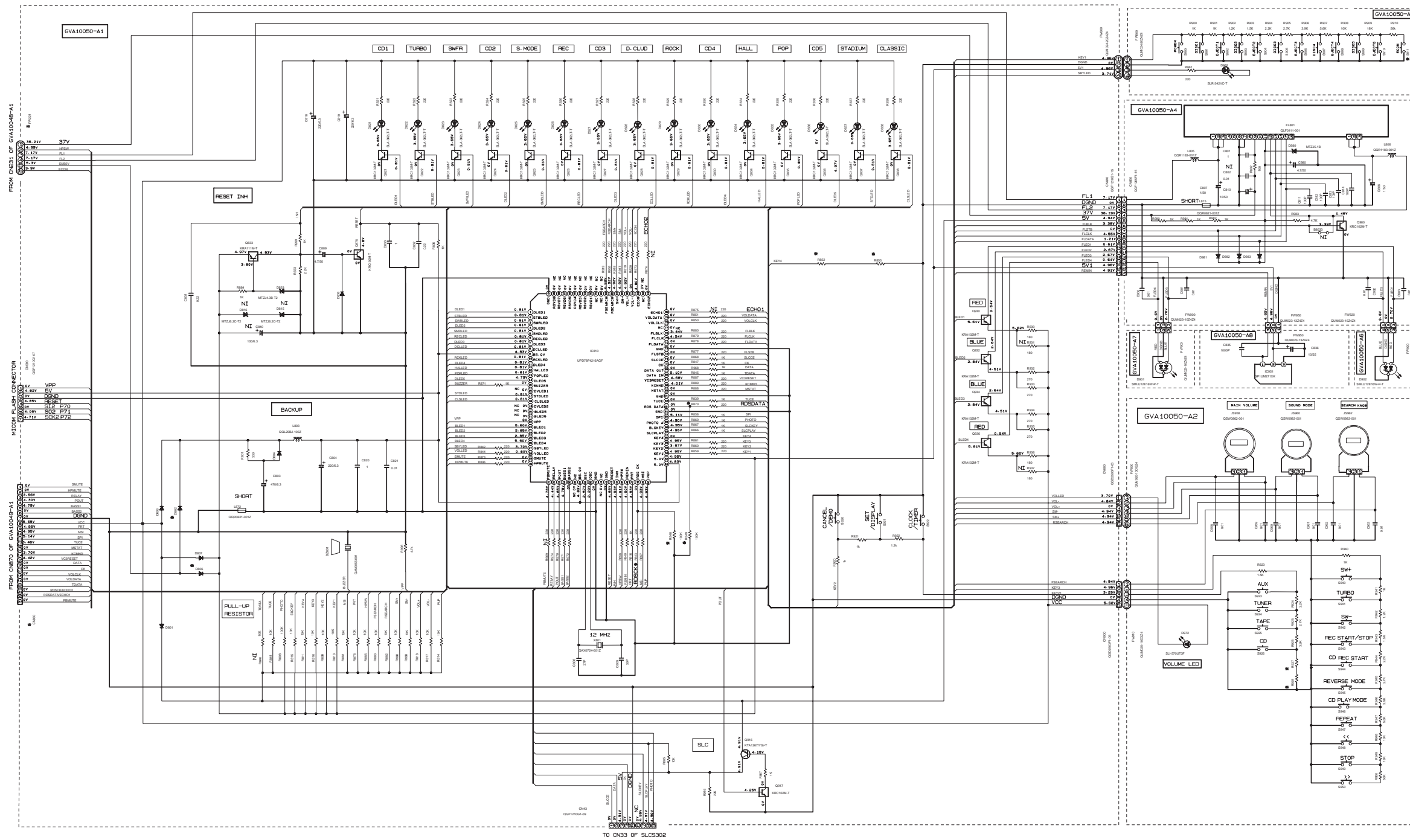
MARK \*

MODEL	HX-Z10			HX-Z30	
	J/C	B/E/EN EV/A	U/L/W	J/C	U/L
R437/R438	12K	12K	18K	22K	43K
R478	1.3K	1.3K	1.3K	1.3K	2.4K
R494	5.8K	6.8K	6.8K	15K	15K
R496	150K	150K	150K	180K	180K
R502	5.6K	5.6K	5.6K	10K	10K
R417/R418	11K	11K	11K	100K	100K
C446/C448	0.018	0.018	0.018	0.015	0.022
C453/C455	0.018	0.018	0.018	0.015	0.022
R508	1.5K	1.5K	1.5K	3.6K	1.5K
R433/R434	51K	51K	51K	51K	47K

NOTES

1. VOLTAGES ARE DC-MEASURED WITH A DIGITAL VOLT METER OR OSCILLOSCOPE WITHOUT INPUT SIGNAL. CONDITION --- AUX MODE VOL MD= SUBWOOFER VOL 1.
2. UNLESS OTHERWISE SPECIFIED RESISTORS ARE 1/4W 1% CARBON RESISTOR. ALL RESISTANCE VALUES ARE IN OHM (Ω). ALL CAPACITORS ARE CERAMIC CAPACITOR OR MYLAR CAPACITOR. ALL CAPACITANCE VALUES ARE IN PICO-F (pF). ALL INDUCTANCE VALUES ARE IN HENRY (H). ALL E-CAPACITORS ARE SHOWN IN THE FORM OF CAPACITANCE (μF)/RATED VOLTAGE (V). ALL DIMS ARE 1991-19-04-12.
3. NI - COMPONENT NOT INSERT

# System / FL control section



MARK

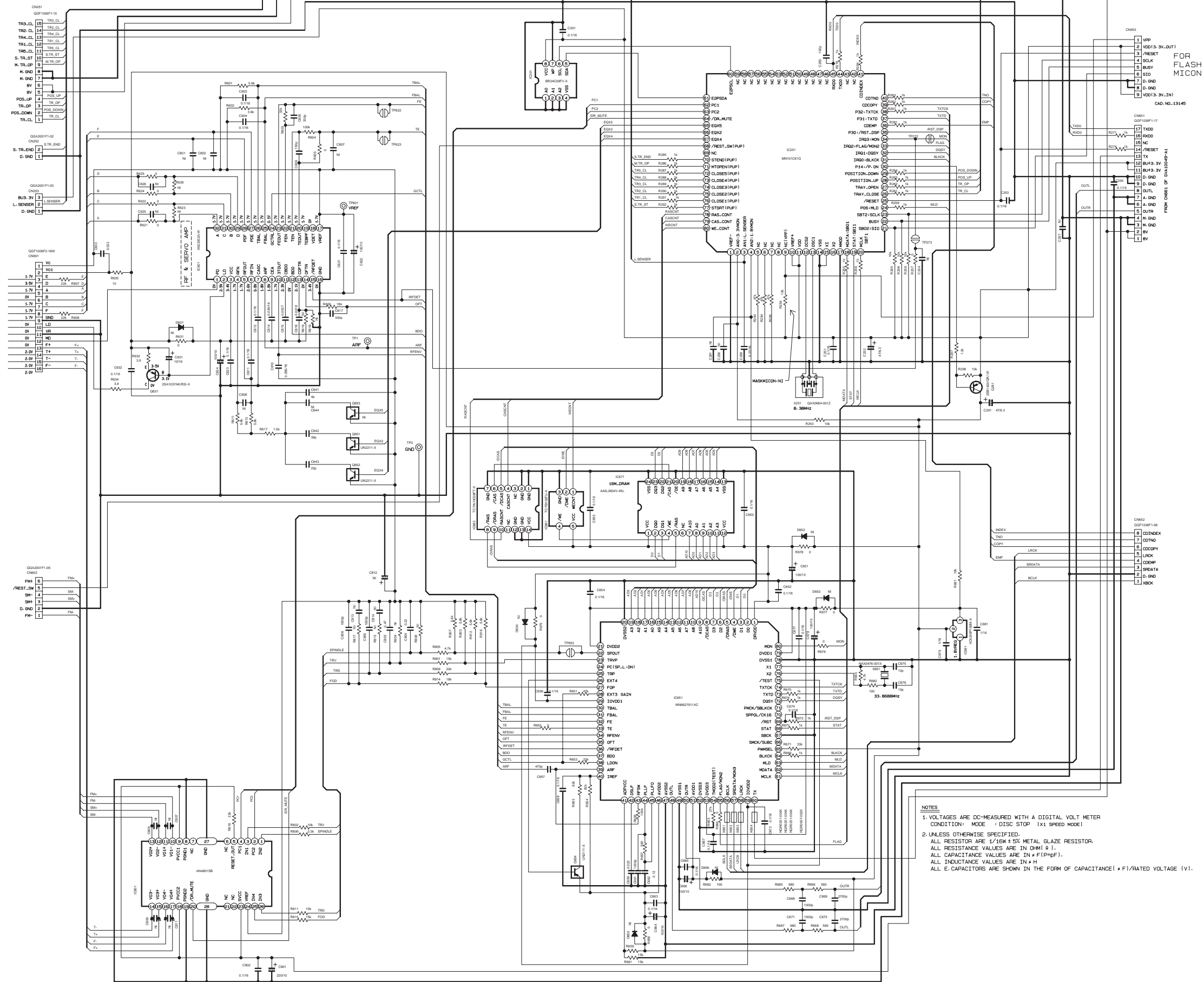
VERSION REF NO.	HX-210					HX-230		
	B-E, EN-EV	A	J-C	UJ	UM	VERSION REF NO.	J-C	UM
CH860	GGF1205F1-23	GGF1205F1-21	GGF1205F1-21	GGF1205F1-21	GGF1205F1-21	CH860	GGF1205F1-21	GGF1205F1-21
FW221	QLM154-15D6Z4	QLM154-15D6Z4	QLM154-15D6Z4	QLM154-15D6Z4	QLM154-15D6Z4	FW221	QLM154-15D6Z4	QLM154-15D6Z4
RB43-RB70	USE	NONE	NONE	NONE	NONE	RB43-RB70	NONE	NONE
DB02-DB06	USE	USE	NONE	NONE	NONE	DB02-DB06	NONE	NONE
RB52	BUS WIRE	1K	BUS WIRE	BUS WIRE	2-2K	RB52	BUS WIRE	2-2K
RB53	1K	2-2K	BUS WIRE	4-7K	4-7K	RB53	BUS WIRE	4-7K
RB27	5-6K	5-6K	5-6K	5-6K	5-6K	RB27	30K	30K
RB28	10K	10K	10K	10K	10K	RB28	3-6K	3-6K
S911	USE	NONE	NONE	NONE	NONE	S911	NONE	NONE

NOTE: 1- CH860 ONLY USE FOR FLASH MICOM

NOTES

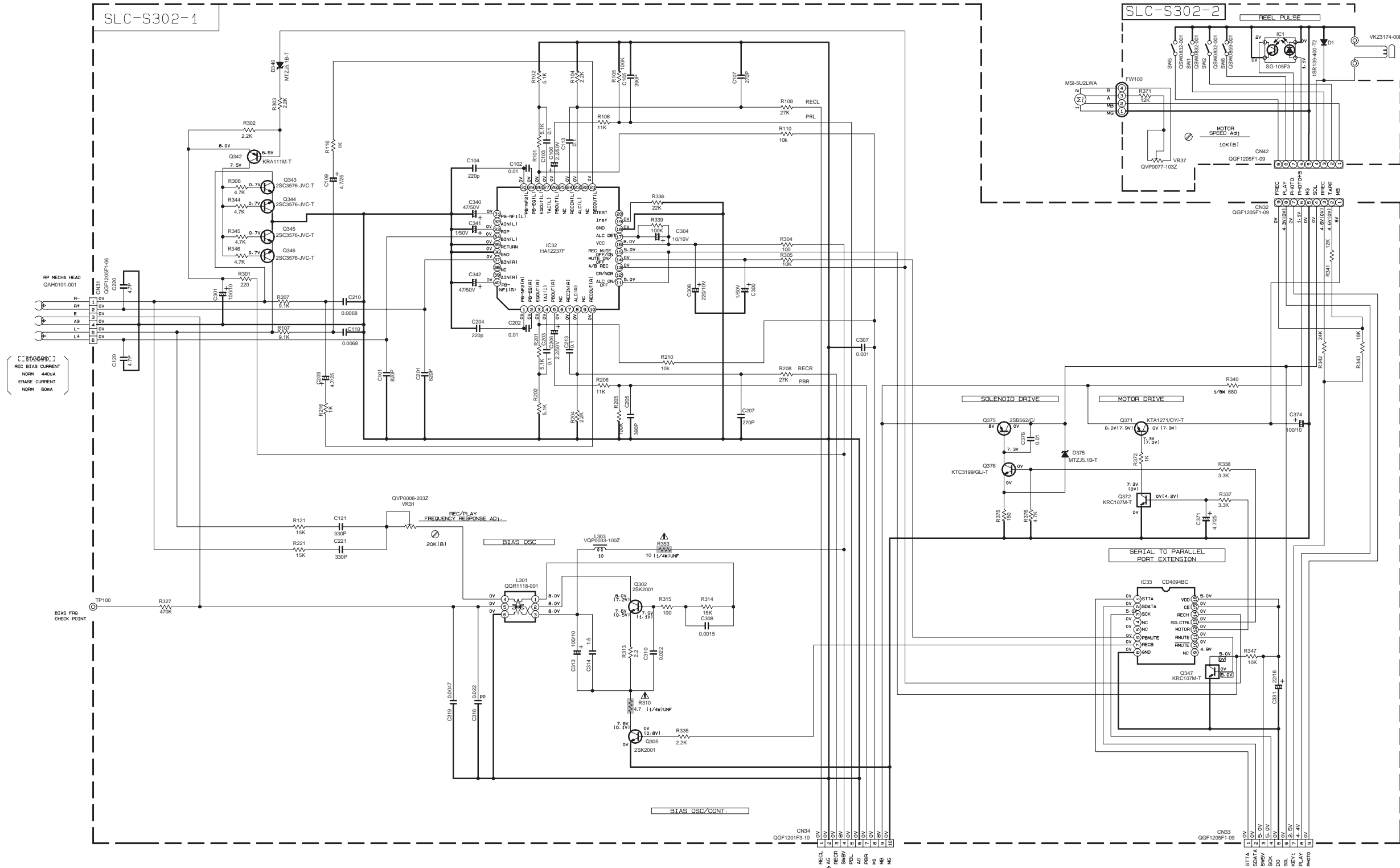
- VOLTAGES ARE MEASURED WITH A DIGITAL VOLT METER OR OSCILLOSCOPE WITHOUT INPUT SIGNAL CONNECTION. — AUX MODE: VOL NON BIAS OFF
- VALUES OTHERWISE SPECIFIED:
  - RESISTORS ARE 1/4W 5% CARBON RESISTOR.
  - ALL RESISTANCE VALUES ARE IN OHMS.
  - ALL CAPACITORS ARE CERAMIC CAPACITOR UNLESS OTHERWISE SPECIFIED.
  - ALL CAPACITANCE VALUES ARE IN PICOFARADS (PF).
  - ALL CAPACITORS ARE SHOWN IN THE FORM OF CAPACITANCE UNLESS OTHERWISE SPECIFIED.
  - ALL DIODES ARE 1N914-100V.
  - ALL FACT SWITCHES ARE SPST-A-001E.
  - NI —> NOT IDENTIFIED.
  - SHORT ———> REPLACE BY BUS WIRE.

# CD servo control section



**NOTES**  
 1. VOLTAGES ARE DC-MEASURED WITH A DIGITAL VOLT METER  
 CONDITION: MODE + DISC STOP (X1 SPEED MODE)  
 2. UNLESS OTHERWISE SPECIFIED,  
 ALL RESISTOR ARE 1/16W ± 5% METAL GLAZE RESISTOR.  
 ALL RESISTANCE VALUES ARE IN OHM ± 1%.  
 ALL CAPACITANCE VALUES ARE IN PPF ± 1%.  
 ALL INDUCTANCE VALUES ARE IN μH  
 ALL E-CAPACITORS ARE SHOWN IN THE FORM OF CAPACITANCE (μF)/RATED VOLTAGE (V).

## Cassette mechanism section



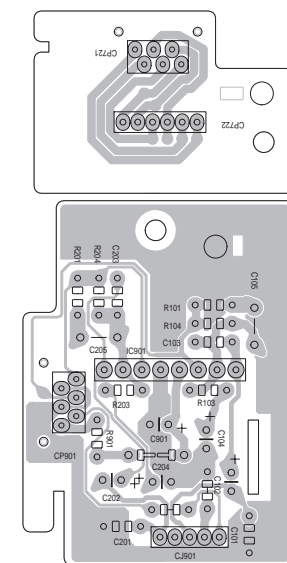
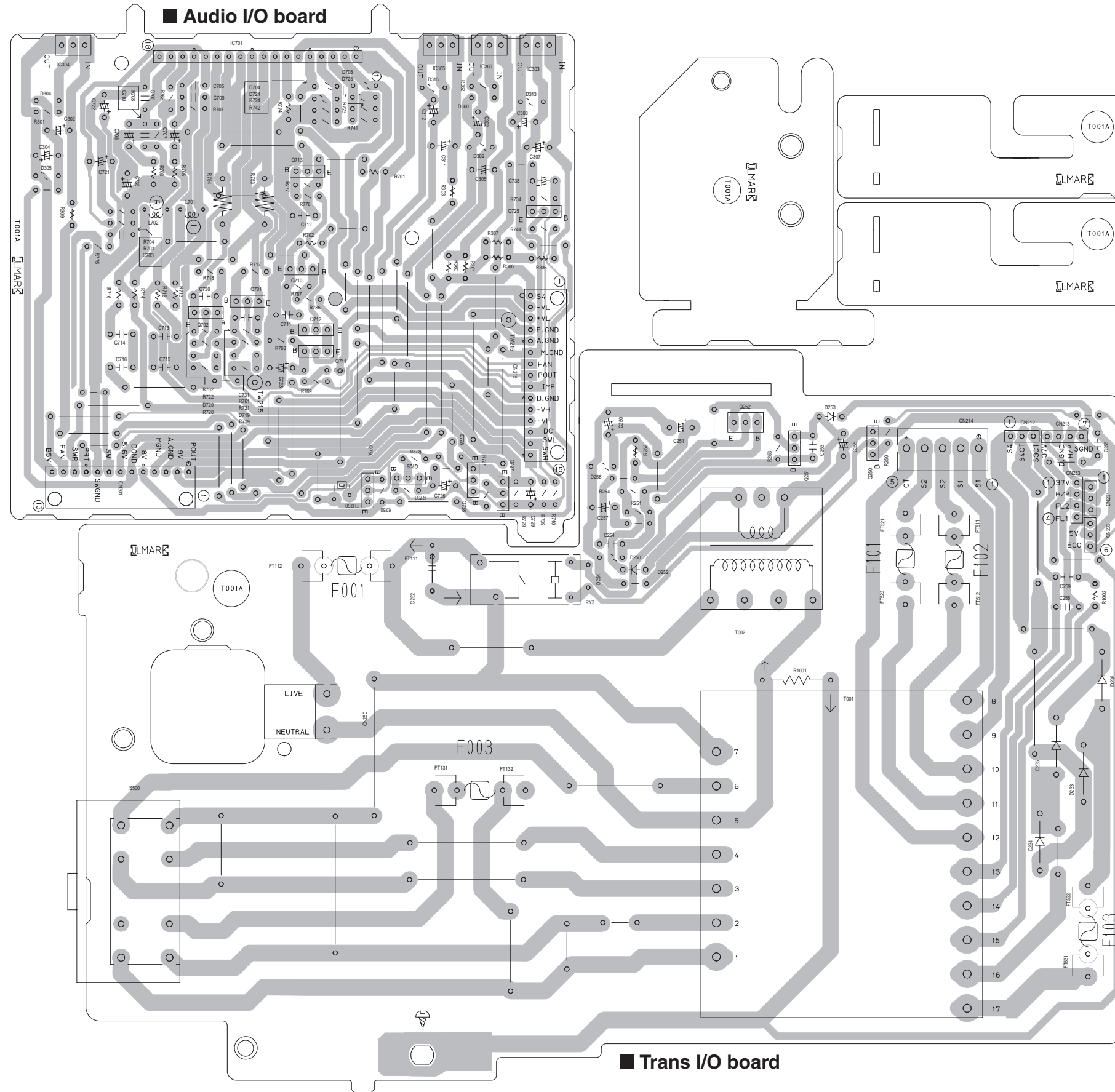
### NOTES

1. VOLTAGES ARE DC-MEASURED WITH A DIGITAL VOLT METER OR OSCILLOSCOPE WITHOUT INPUT SIGNAL. CONDITION : MECHA STOP MODE

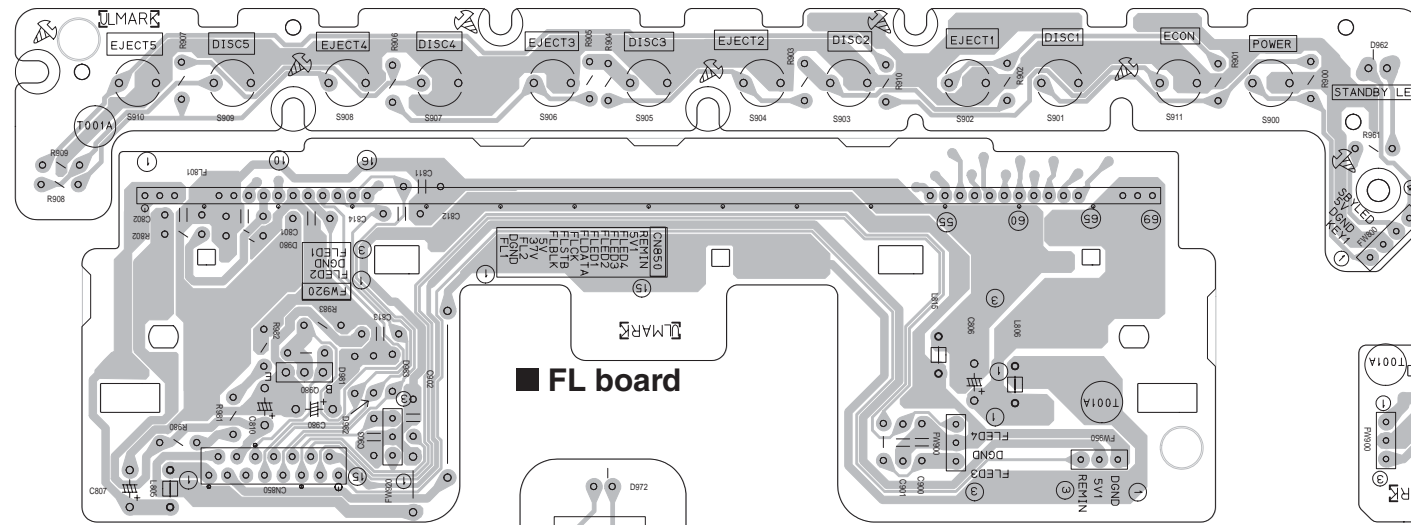
2. UNLESS OTHERWISE SPECIFIED, RESISTORS ARE 1/10W ±5% METAL GLAZE RESISTOR. ALL RESISTANCE VALUES ARE IN OHM(S). ALL CAPACITORS ARE CERAMIC CAPACITOR OR MYLAR CAPACITOR. ALL CAPACITANCE VALUES ARE IN #F(P+P-F). ALL INDUCTANCE VALUES ARE IN MH(M+H). ALL E-CAPACITORS ARE SHOWN IN THE FORM OF CAPACITANCE (#F1/RATED VOLTAGE (V)). POLYPROPYLENE CAPACITOR

Parts are safety assurance parts. When replacing those parts make sure to use the specified one.

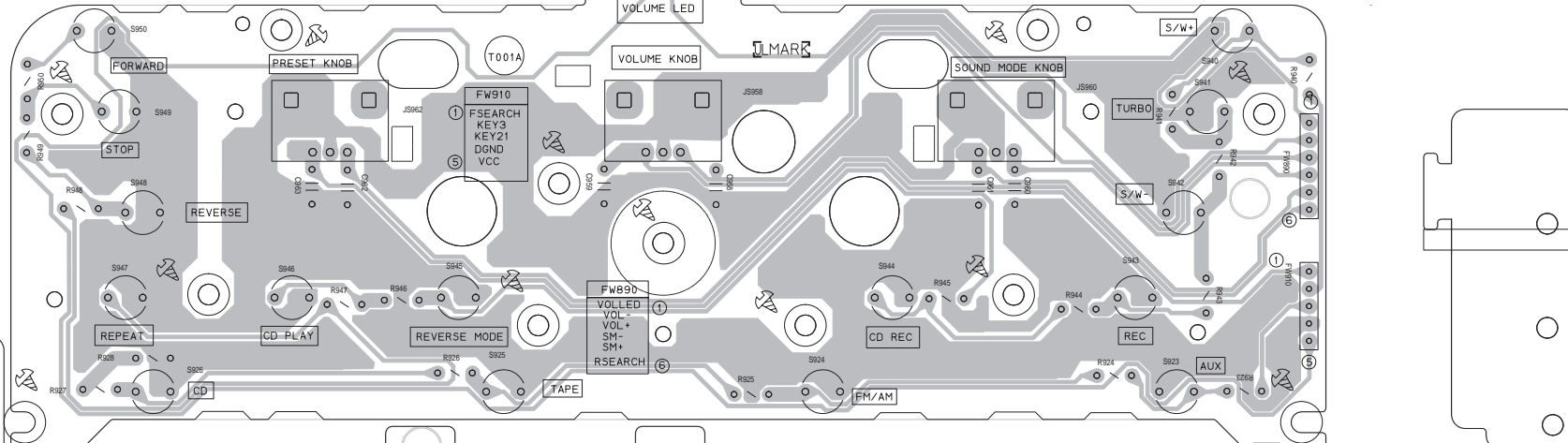
# Printed circuit boards



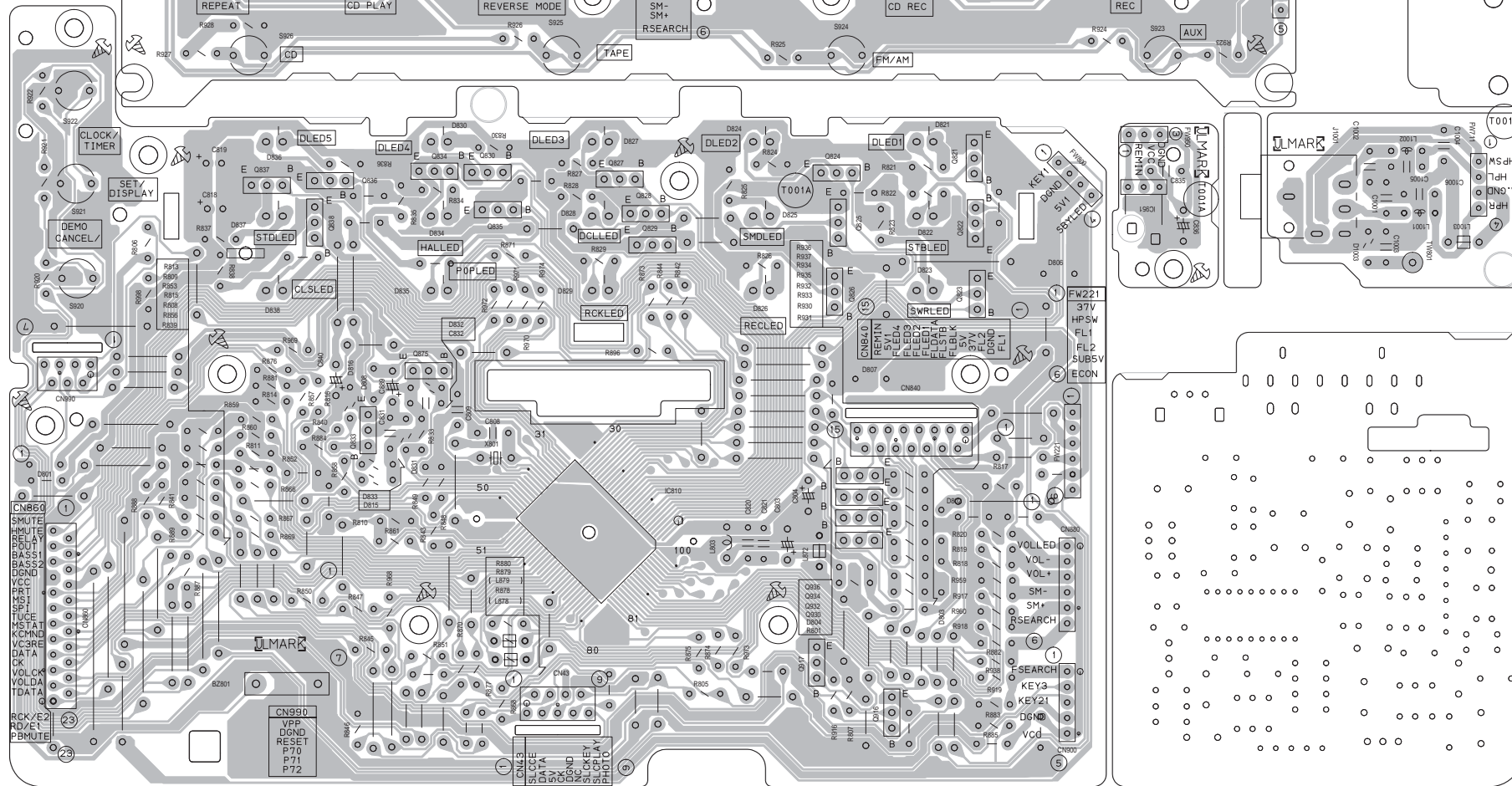
■ Switch board



■ Front board

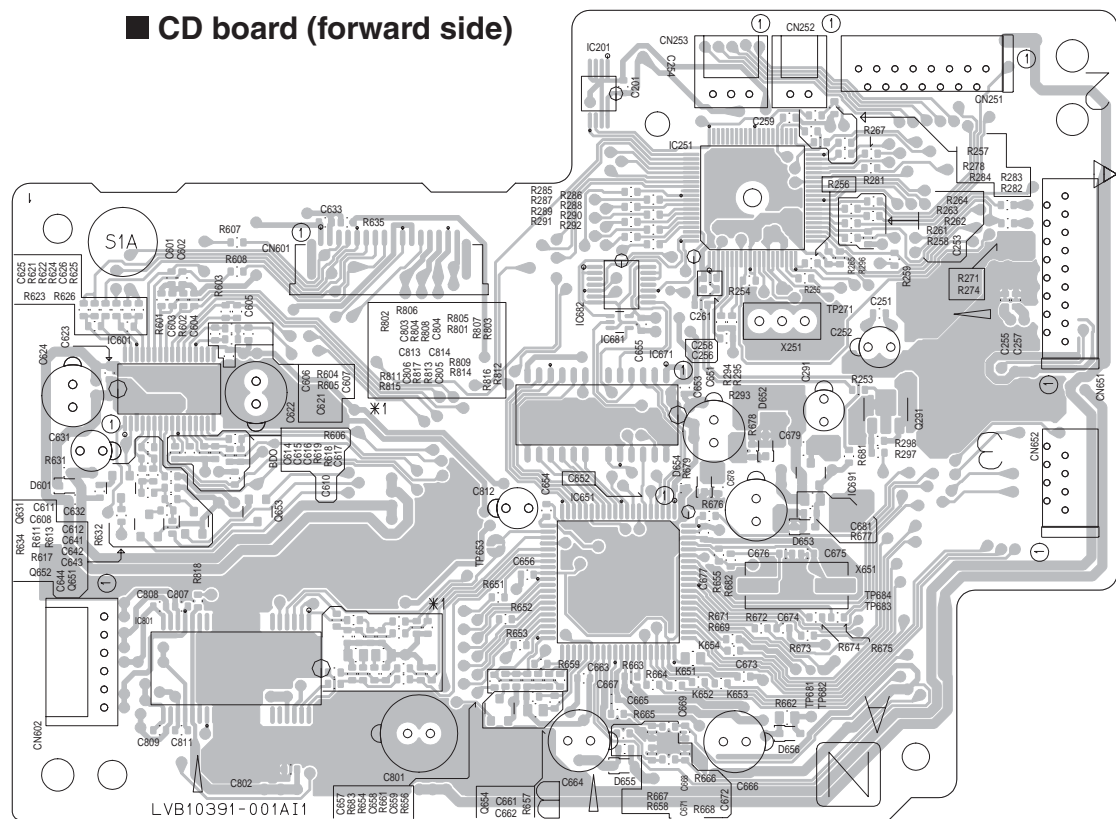


■ Micon board

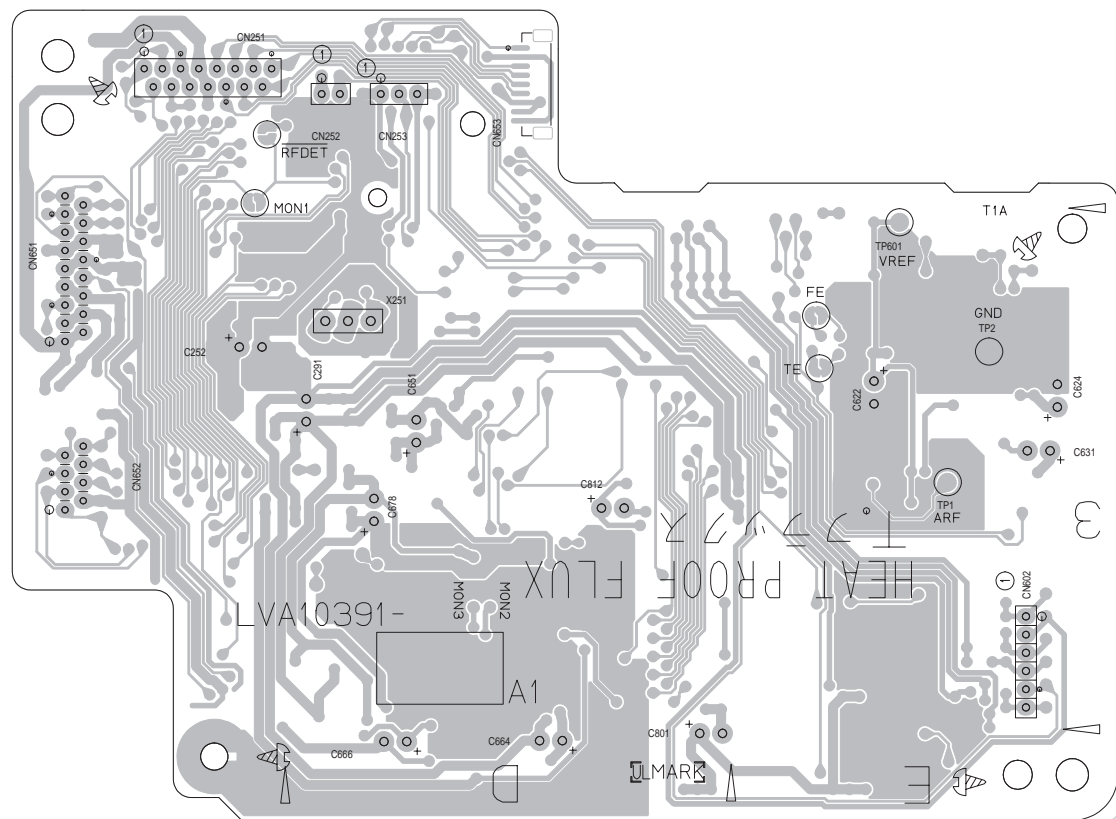




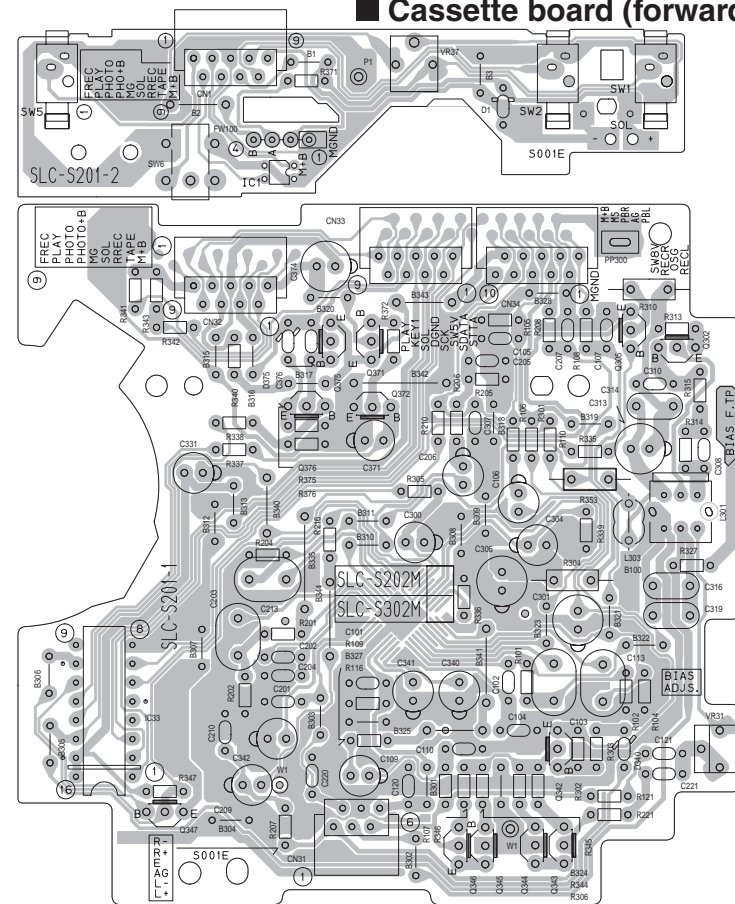
■ CD board (forward side)



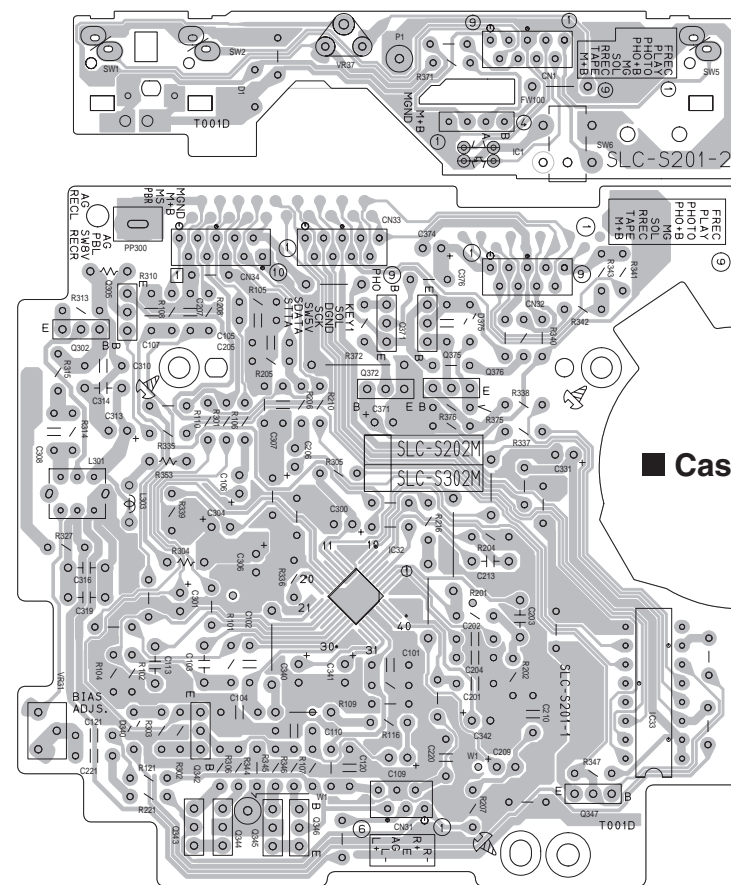
■ CD board (reverse side)



■ Cassette board (forward side)

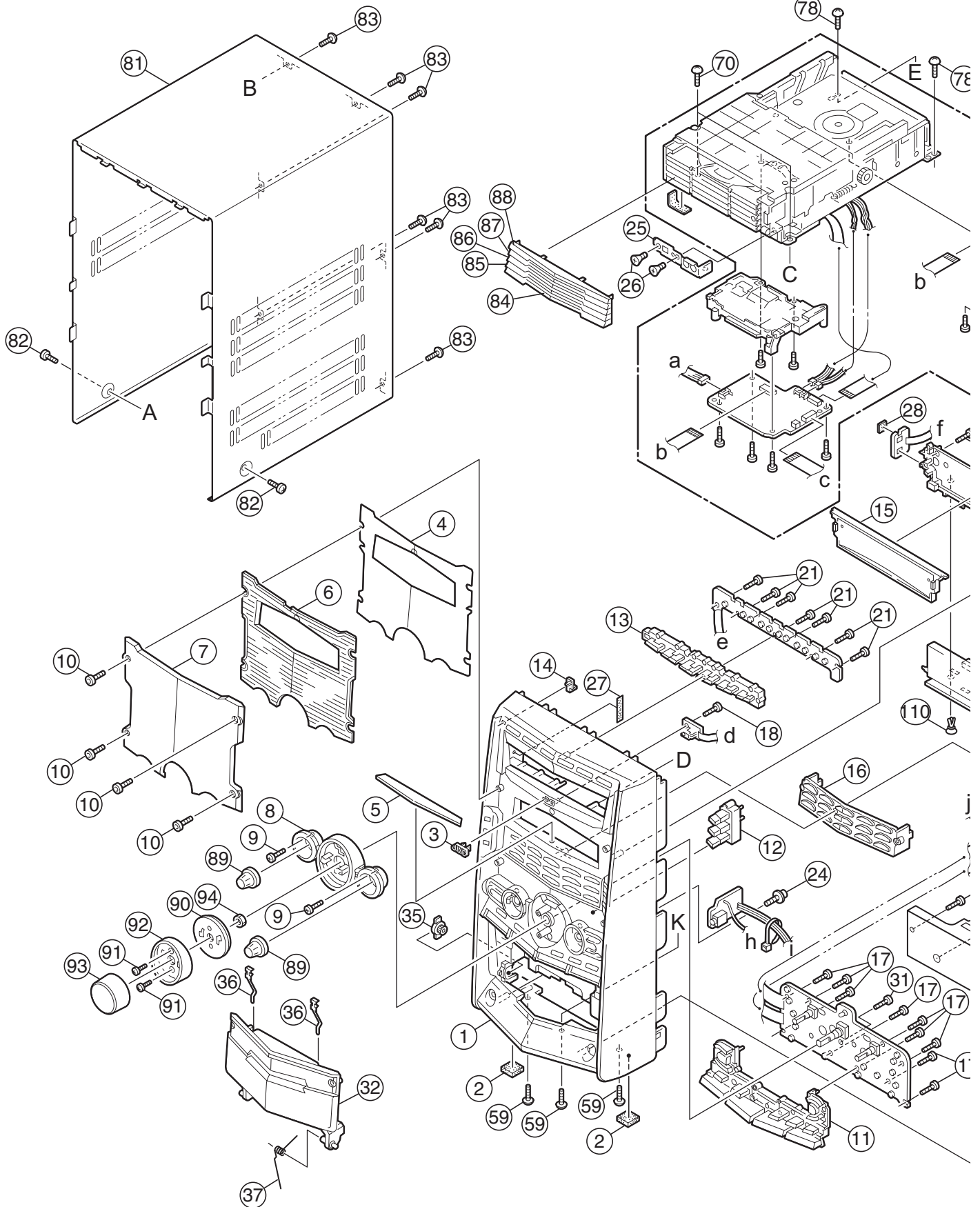


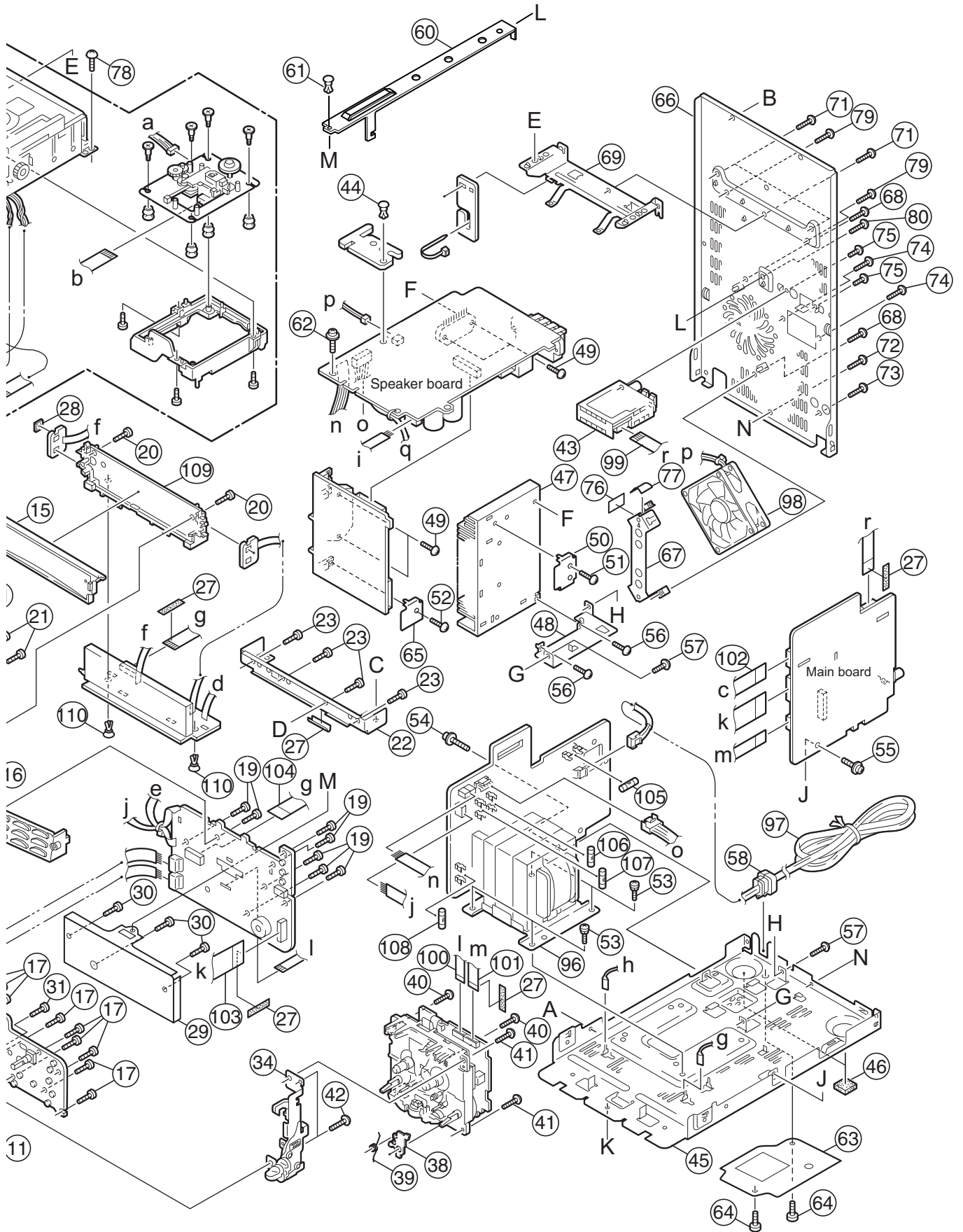
■ Cassette board (reverse side)



# Exploded view of general assembly and parts list

Block No. M 1 M M





# General assembly

## Block No. [M][1][M][M]

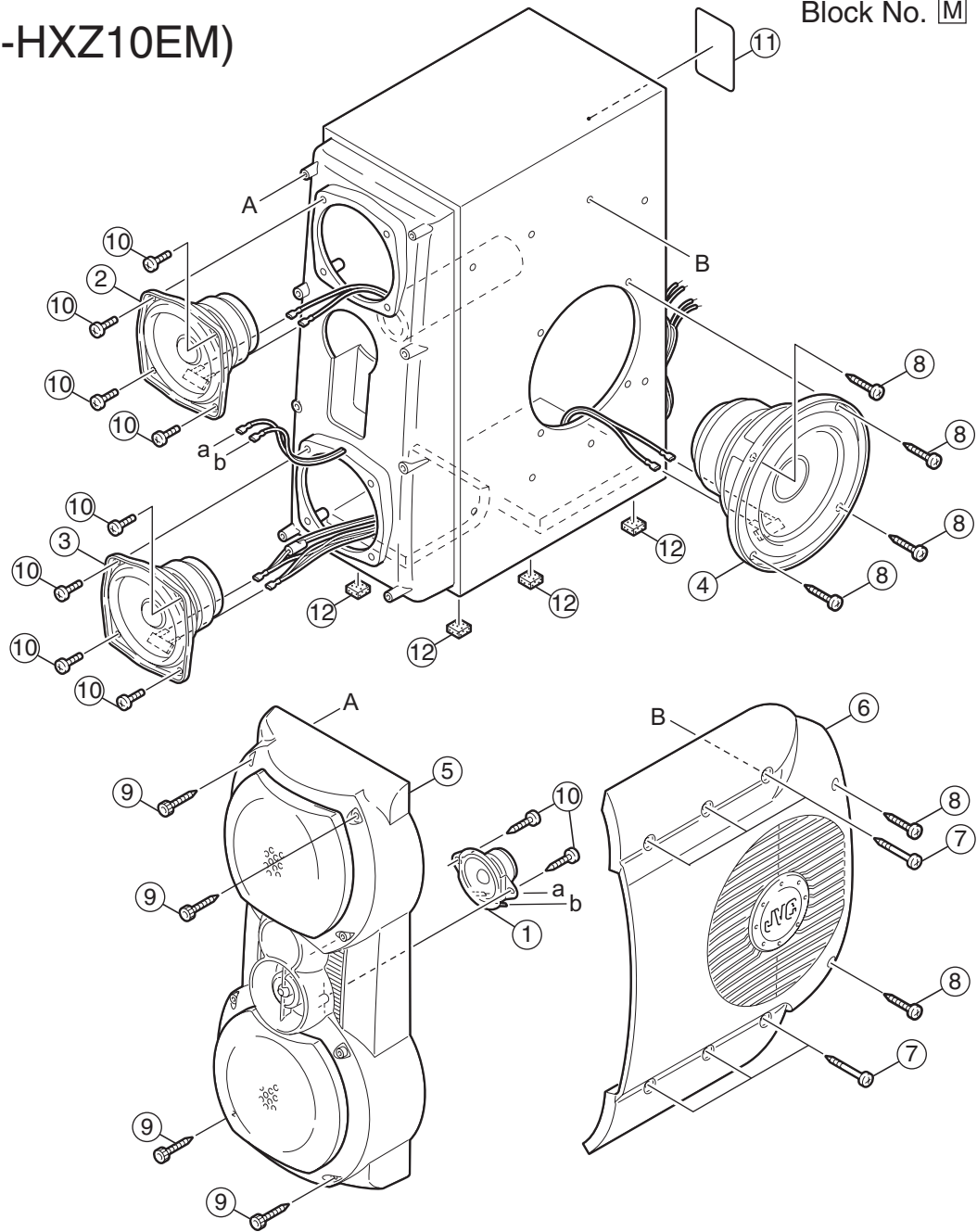
Symbol No.	Part No.	Part Name	Description	Local
1	GV10129-003A	FRONT PANEL		
2	GV40313-001A	FELT SPACER	(x2)	
3	GV40077-002A	JVC BADGE		
4	GV30417-002A	PUNCHING NET		
5	GV40382-001A	MIRROR SHEET		
6	GV20213-001A	INNER LENS		
7	GV20208-001A	WINDOW SCREEN		
8	GV20215-001A	ORNAMENT RING		
9	QYSDSF2608Z	SCREW	2.6mm x 8mm(x2)	
10	LV40744-001A	SOCKET BOLT	(x4)	
11	GV10132-001A	CONTROL BUTTON		
12	GV30415-001A	FUNCTION BUTTON		
13	GV20210-002A	PWR/EJECT BUTT.		
14	GV40381-001A	STANDBY INDICAT		
15	GV30416-001A	FL LENS		
16	GV20214-001A	FUNCTION LENS		
17	QYSDSF2608Z	SCREW	2.6mm x 8mm(x9)	
18	QYSDSF2608Z	SCREW	2.6mm x 8mm	
19	QYSDSF2608Z	SCREW	2.6mm x 8mm(x7)	
20	QYSDSF2608Z	SCREW	2.6mm x 8mm(x2)	
21	QYSDSF2608Z	SCREW	2.6mm x 8mm(x7)	
22	GV30418-002A	STAY BRACKET		
23	QYSDSF2608Z	SCREW	2.6mm x 8mm(x4)	
24	E65923-003	TAPPING SCREW		
25	GV30434-001A	MECHA BRACKET		
26	QYSSST3006Z	SCREW	3mm x 6mm(x2)	
27	GV40121-004A	SPECER	(x6)	
28	GV40418-002A	SPECER		
29	GV30488-001A	FRONT BRACKET		
30	QYSDSF2608Z	SCREW	2.6mm x 8mm(x3)	
31	QYSDSF2608Z	SCREW	2.6mm x 8mm	
32	GV30310-001A	CASS.HOLD.ASSY.		
34	GV30311-002A	EJECT SYS.ASSY.		
35	GV40034-001A	DAMPER ASSY.		
36	VKY4180-401	CASSETTE SPRING	(x2)	
37	GV40398-001A	SPRING		
38	VKL7850-002	EJECT SAFTY(R)		
39	VKW5258-003	TORSION SPRING		
40	QYSBSF3012Z	TAP SCREW	3mm x 12mm(x2)	
41	QYSBSF3010Z	TAP SCREW	3mm x 10mm(x2)	
42	QYSBSG3010Z	TAPPING SCREW	3mm x 10mm(x2)	
43	QAU0278-002	TUNER ASSY.		
44	E310243-002	PLASTIC RIVET		
45	GV10111-002A	CHASSIS BASE		
46	GV40313-002A	FELT SPACER	(x2)	
47	GV30420-004A	HEAT SINK		
48	GV30281-001A	BASE BRACKET		
49	QYSBSG3020E	TAPPING SCREW	3mm x 20mm(x4)	
50	GV40297-002A	LEAF SPRING		
51	QYSBSG3014E	TAPPING SCREW	3mm x 14mm	
52	QYSBSG3014E	TAPPING SCREW	3mm x 14mm	
53	QYSDSTL4008Z	ASSY SCREW	4mm x 8mm(x4)	
54	QYSBSFG3016Z	SCREW	3mm x 16mm	
55	QYSBSGG3008E	TAPPING SCREW	3mm x 8mm	
56	QYSBSG3014E	TAPPING SCREW	3mm x 14mm(x2)	
57	QYSBSG3008E	TAP SCREW	3mm x 8mm(x2)	
△ 58	QZW0033-001	STRAIN RELIEF		
59	QYSBSGY3008E	SPECIAL SCREW	3mm x 8mm(x3)	
60	GV30286-001A	INNER BAR		
61	E310243-002	PLASTIC RIVET		
62	QYSBSGG3008E	TAPPING SCREW	3mm x 8mm	
63	GV40222-001A	BOTTOM SHEET		
64	QYSBSG3008E	TAP SCREW	3mm x 8mm(x2)	
65	GV40300-002A	BRACKET		
66	GV10131-004A	REAR PANEL		
67	GV30278-002A	FAN BRACKET		
68	QYSBSGY3008E	SPECIAL SCREW	3mm x 8mm(x2)	
69	GV30498-001A	REAR BRACKET		
70	QYSBSG3010Z	TAPPING SCREW	3mm x 10mm(x2)	
71	QYSBSGY3008E	SPECIAL SCREW	3mm x 8mm(x3)	
72	QYSBSGY3008E	SPECIAL SCREW	3mm x 8mm	
73	QYSBSGY3008E	SPECIAL SCREW	3mm x 8mm	
74	QYSBSGY3010E	SPECIAL SCREW	3mm x 10mm(x2)	
75	QYSBSGY3008E	SPECIAL SCREW	3mm x 8mm(x2)	

Symbol No.	Part No.	Part Name	Description	Local
76	GV40121-004A	SPECER		
77	GV40121-006A	SPECER		
78	QYSBSG3010Z	TAPPING SCREW	3mm x 10mm(x2)	
79	QYSBSGY3008E	SPECIAL SCREW	3mm x 8mm(x2)	
80	QYSBSGY3008E	SPECIAL SCREW	3mm x 8mm	
81	GV10110-001A/S/	METAL COVER		
82	QYSDSG3006M	TAP SCREW	3mm x 6mm(x2)	
83	QYSBSGY3008E	SPECIAL SCREW	3mm x 8mm(x6)	
84	GV20203-001A	CD FITTING (1)		
85	GV20204-001A	CD FITTING (2)		
86	GV20205-001A	CD FITTING (3)		
87	GV20206-001A	CD FITTING (4)		
88	GV20207-001A	CD FITTING (5)		
89	GV30299-004A	SOUND MODE KNOB	(x2)	
90	GV30297-002A	VOLUME LENS		
91	QYSDSF2608Z	SCREW	2.6mm x 8mm(x2)	
92	GV30262-002A	VOLUME ORNAMENT		
93	GV30298-001A	VOLUME KNOB		
94	GV40186-001A	NUT		
△ 96	QQT0393-002	POWER TRANSF	T 001	
△ 97	QMPK200-200-JD	POWER CORD(EU)	2m BLACK	HXZ10E HXZ10EN
△ 97	QMPN150-200-JC	POWER CORD(EU)		HXZ10B
98	QAR0282-001	FAN		
99	QUQH12-1109AJ	CARD WIRE		
100	QUQH12-0909BJ	CARD WIRE		
101	QUQH12-1019BJ	CARD WIRE		
102	QUQH10-1714AJ	CARD WIRE		
103	QUQH12-2318BJ	CARD WIRE		
104	QUQH12-1513AJ	CARD WIRE		
△ 105	QMF51W2-2R5-J8	FUSE	F 001 2.5A AC250V	
△ 106	QMF51W2-5R0-J8	FUSE	F 101 5A AC250V	
△ 107	QMF51W2-5R0-J8	FUSE	F 102 5A AC250V	
△ 108	QMF51W2-3R15-J8	FUSE	F 103 3.15A AC250V	
109	GV20212-002A	FL HOLDER		
110	E310243-002	PLASTIC RIVET	(x2)	

# Speaker assembly and parts list

(SP-HXZ10EM)

Block No. M 2 M M



## Speaker

Block No. M2MM

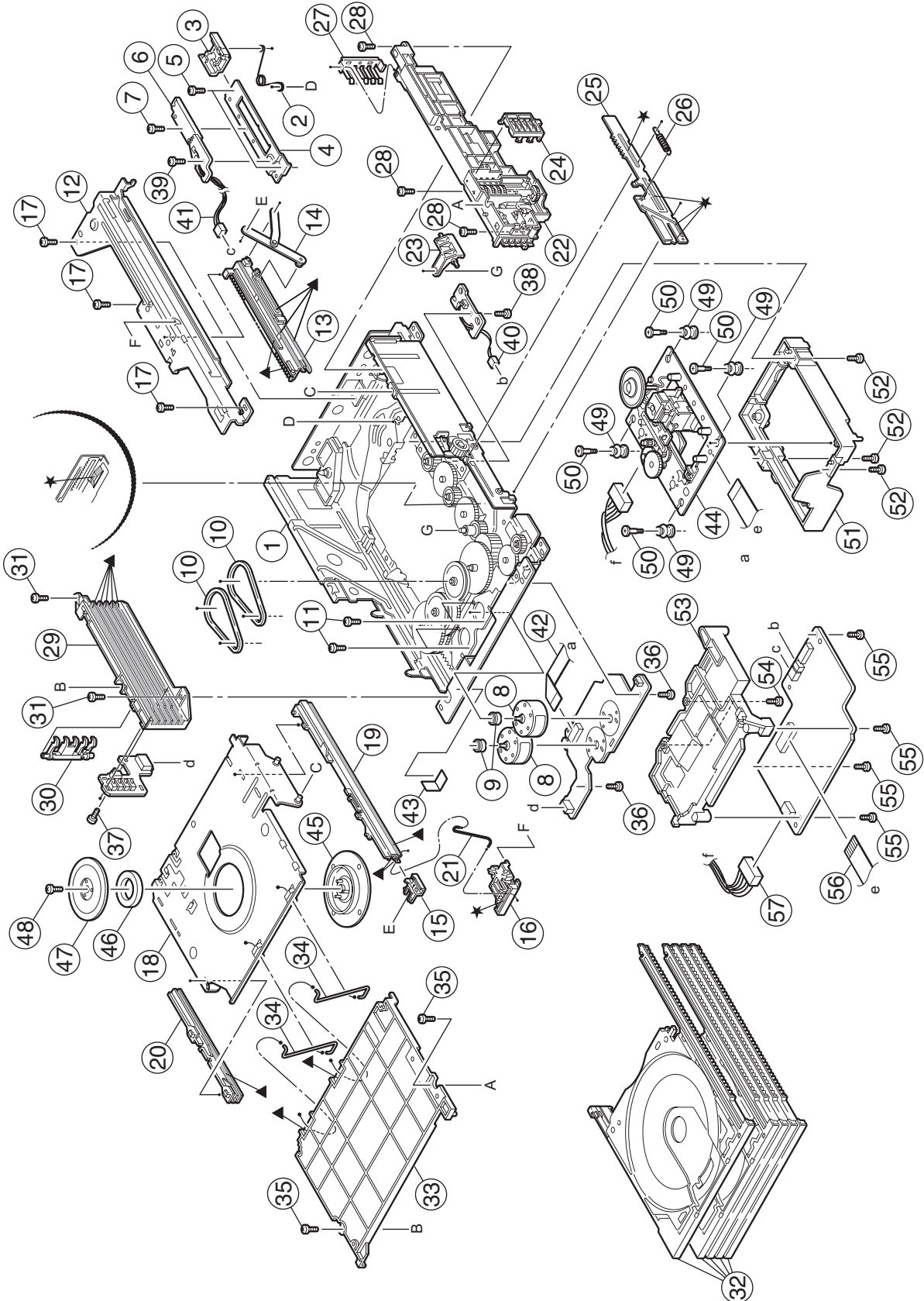
△ Symbol No.	Part No.	Part Name	Description	Local	△ Symbol No.	Part No.	Part Name	Description	Local
1	249929723306	TWEETER ASSY	(x2)		8	439929453561	SCREW M4X20	(x12)	
2	249929746002	WOOFER ASSY	(x2)		9	439929453571	SCREW M4X16	(x8)	
3	249929746102	WOOFER ASSY	(x2)		10	439929453581	SCREW M4X14	(x20)	
4	249929767006	SUB WOOFER ASSY	(x2)		11	439929461011	BACK LABEL(L)		
5	829929751310	F/PANEL ASSY(L)			11	439929461001	BACK LABEL(R)		
5	829929751320	F/PANEL ASSY(R)			12	439929483001	LEG CUSHION	(x8)	
6	439929418071	SIDE PANEL							
6	439929418081	SIDE PANEL							
7	439929453551	SCREW M4X37	(x12)						

# CD changer mechanism assembly and parts list

FMU-SC6-1M

Block No. M A M M

Grease  
 ★ =JVG-31N  
 ▲ =JVS-1003



# CD changer mechanism

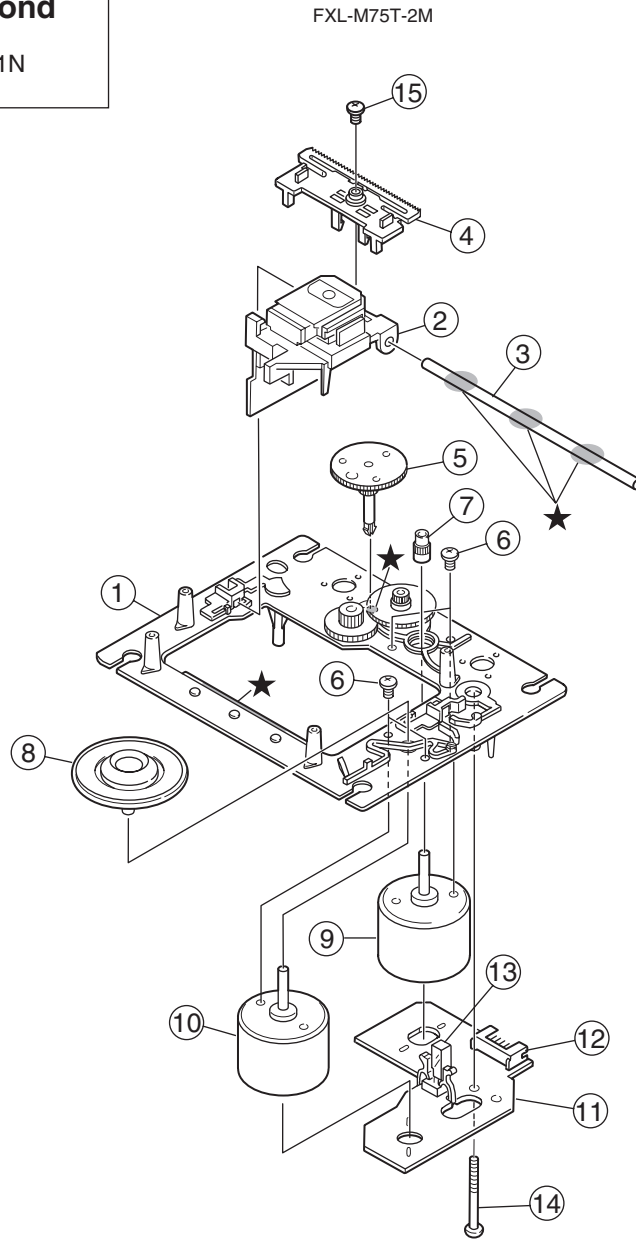
Block No. [M][A][M][M]

△ Symbol No.	Part No.	Part Name	Description	Local
1	LV10743-001A	CHASSIS ASSY		
2	LV43278-001A	SENSOR SPRING		
3	LV33961-001A	SENSOR SLIDER		
4	LV33962-001A	SENSOR BRACKET		
5	QYSDST2605Z	SCREW	2.6mm x 5mm(x2)	
6	QVY0027-B14	S V RESISTOR		
7	QYSDST2004Z	SCREW	2mm x 4mm	
8	QAR0164-001	MOTOR	(x2)	
9	LV42340-001A	MOTOR PULLEY	(x2)	
10	LV41431-001A	BELT	(x2)	
11	QYSPSPU1725N	SCREW	1.7mm x 2.5mm(x4)	
12	LV10744-001A	RACK HOLDER		
13	LV21406-001A	LOADING RACK		
14	LV43279-001A	LIFT ARM ASSY		
15	LV33963-001A	HOOK		
16	LV33964-001A	HOOK STOPPER		
17	QYSDST2605Z	SCREW	2.6mm x 5mm(x3)	
18	LV33965-003A	LIFTER ASSY		
19	LV21408-001A	RAIL(R)		
20	LV21409-001A	RAIL(L)		
21	LV43285-001A	ROD (L)		
22	LV21520-001A	SIDE(R) ASSY		
23	LV33974-001A	SELECT LEVER		
24	LV33975-001A	GEAR COVER		
25	LV33976-001A	ELEVATOR CAM		
26	LV43287-001A	ELEVATOR SPRING		
27	LV33977-002A	CLICK SPRING		
28	QYSDST2605Z	SCREW	2.6mm x 5mm(x3)	
29	LV10749-001A	SIDE(L)		
30	LV33980-001A	OPEN DET.LEVER		
31	QYSDST2605Z	SCREW	2.6mm x 5mm(x2)	
32	LV10746-001A	TRAY ASSY	(x5)	
33	LV10750-001A	TOP COVER		
34	LV43289-001A	ROD	(x2)	
35	QYSDSF2608Z	SCREW	2.6mm x 8mm(x2)	
36	QYSDST2605Z	SCREW	2.6mm x 5mm(x2)	
37	QYSDSF2608Z	SCREW	2.6mm x 8mm	
38	QYSDST2605Z	SCREW	2.6mm x 5mm	
39	QYSDST2004Z	SCREW	2mm x 4mm	
40	WJM0330-001A	E-SI C WIRE C-F		
41	WJM0331-001A	E-SI C WIRE C-F		
42	QUQ110-1521BF	FFC WIRE		
43	VYSA1R4-056	SPACER		
44	-----	CD TRAMECHA ASS		
45	VKS3697-001	CLAMPER		
46	VYH7313-003	MAGNET		
47	LV33981-001A	CD YOKE		
48	QYSDSF2606Z	SCREW	2.6mm x 6mm	
49	LV41659-002A	INSULATOR	(x4)	
50	LV43245-001A	SPECIAL SCREW	(x4)	
51	LV21410-001A	CD TM BASE		
52	QYSDST2605Z	SCREW	2.6mm x 5mm(x3)	
53	LV21411-001A	CD MODULE BKT		
54	QYSDST2605Z	SCREW	2.6mm x 5mm(x2)	
55	QYSDSF2608Z	SCREW	2.6mm x 8mm(x4)	
56	QUQ610-1611AJ	FFC WIRE		
57	QJJ010-061802	SIN CR C-C WIRE		

# CD mechanism assembly and parts list

Block No. M B M M

**Grease & Bond**  
★ = JVG-31N



## CD mechanism

Block No. M B M M

△ Symbol No.	Part No.	Part Name	Description	Local
1	LV10723-002A	CD MECHA BASE A		
2	OPTIMA-73B1C	C.D PICK		
3	E406777-002SM	C.D SHAFT		
4	LV31002-001A	CD RACK		
5	E307745-441SM	C.D GEAR 3		
6	QYSDSP2003N	SCREW	2mm x 3mm(x4)	
7	E406750-442SM	PINION		
8	LV42350-001A	T.T.ASSY		
9	QAR0253-001	FEED MOTOR		
10	QAR0276-001	SP MOTOR		
11	LVB10434-001B	CIR BOARD		
12	QGA2001F1-06	CONNECTOR		W-B (1-6)
13	QSW0506-001	LEAF SW		
14	E75832-221SS	SPECIAL SCREW		
15	QYSDSF2006Z	SCREW		2mm x 6mm

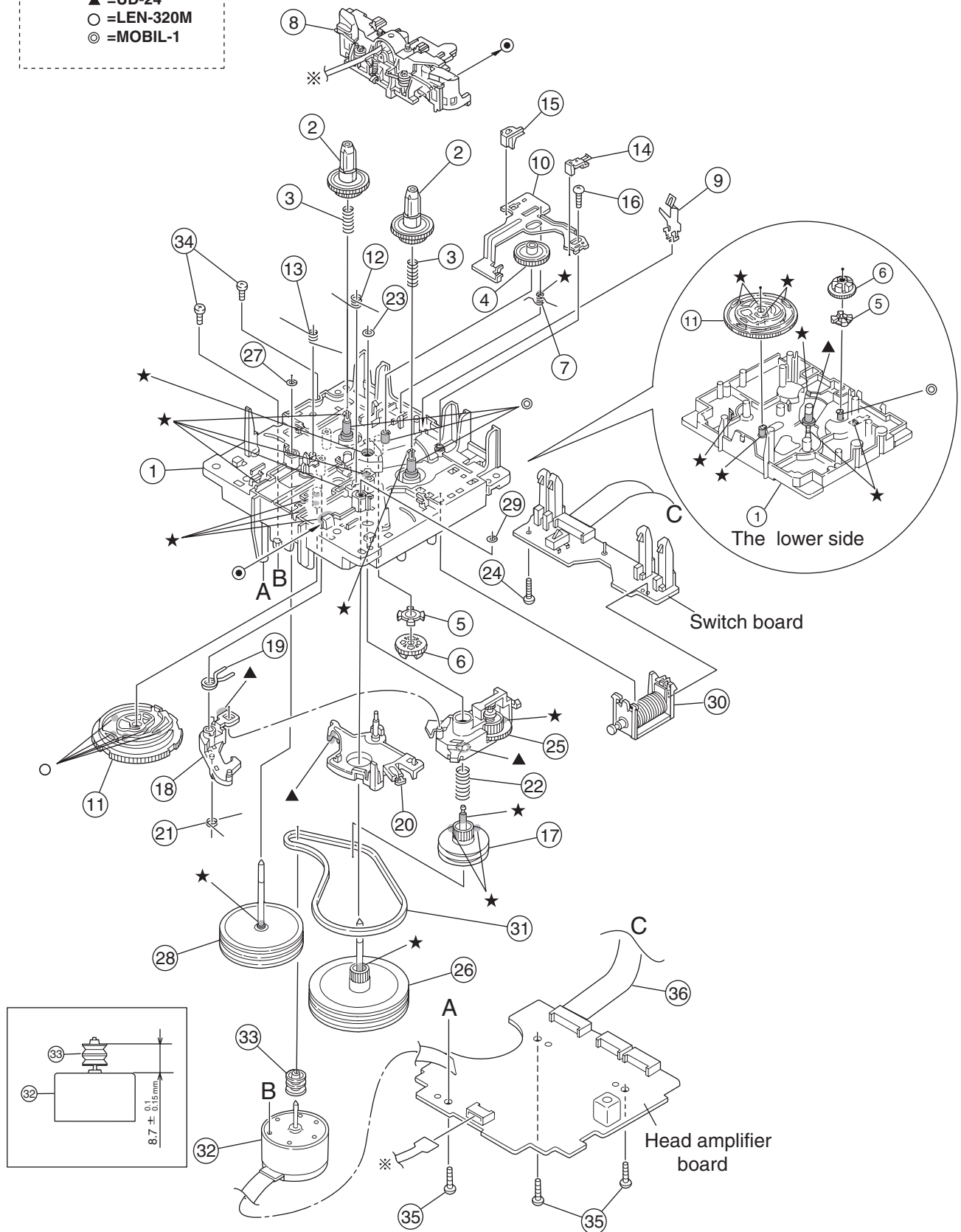


# Cassette mechanism assembly and parts list

Block No. M P M M

SLC-S302M

- Grease**
- ★ =EM-30L
  - ▲ =UD-24
  - =LEN-320M
  - ◎ =MOBIL-1



# Cassette mechanism

Block No. [M][P][M][M]

Symbol No.	Part No.	Part Name	Description	Local
1	VKS1165-00N	CHASSIS B. ASSY		
2	VKS2274-002	REEL GEAR	(x2)	
3	VKW5286-002	B.T. SPRING	(x2)	
4	VKS5559-001	PLAY IDLE GEAR		
5	VKS5595-002	BLIND		
6	VKS5560-003	FR IDLE GEAR		
7	LV42013-001A	EARTH SPRING		
8	SLC-RP4SVM	HEAD MOUNT ASSY		
9	VKY3149-002	CASSETTE SP.		
10	LV31786-002A	PLAY LEVER		
11	VKS1166-003	CONTROL CAM		
12	VKW5279-002	HEAD BASE SP(R)		
13	VKW5280-001	HEAD BASE SP(L)		
14	LV41584-001A	BRAKE(R)		
15	LV41585-003A	BRAKE(L)		
16	QYSBSF2005Z	SCREW	2mm x 5mm	
17	VKS5603-00G	MAIN PULLEY ASS		
18	VKS3785-001MM	FR ARM		
19	VKW5284-002	SWING SPRING		
20	VKS2278-003	TRIGGER ARM		
21	VKW5301-001	FR SPRING		
22	VKW5266-001	ELEVATOR SPRING		
23	WDL214025	WASHER		
24	QYSBSF2005Z	SCREW	2mm x 5mm	
25	VKS3786-00G	CLUTCH ASSY		
26	VKF3205-00B	F.WHEEL ASSY(R)		
27	WDL183425	SLIT WASHER		
28	VKF3207-00C	F.WHEEL ASSY(L)		
29	WDL173525-6	SLIT WASHER		
30	VKZ3174-00B	DC SOLENOID		
31	LV42836-001A	CAPSTAN BELT		
32	MSI-5U2LWA	D.C.MOTOR		
33	VKR4761-003	MOTOR PULLEY		
34	QYSPSP2604Z	SCREW	2.6mm x 4mm(x2)	
35	QYSBSF2608Z	TAPPING SCREW	2.6mm x 8mm(x3)	
36	QUQH12-0906BF	WIRE		

# Electrical parts list

## Power board

Block No. [0][1][0][0]

Symbol No.	Part No.	Part Name	Description	Local	Symbol No.	Part No.	Part Name	Description	Local
△ IC303	KIA7808API	IC	Regulator		C729	QETN1CM-476Z	E CAPACITOR	47uF 16V M	
△ IC304	KIA7805API	IC	Regulator		C730	FQCF31HZ-223Z	D.CAPACITOR		
△ IC305	KIA7809API	IC	Regulator		C731	FQCF31HZ-223Z	D.CAPACITOR		
△ IC360	KIA7805API	IC	Regulator		C738	QETN1HM-106Z	E CAPACITOR	10uF 50V M	
IC701	STK412-420	POWER I.C			C739	QETN1HM-105Z	E CAPACITOR	1uF 50V M	
Q250	2SC2785/FE/-T	TRANSISTOR			R250	QRE141J-102Y	C RESISTOR	1kΩ 1/4W J	
Q251	KTC1027/OY/-T	TRANSISTOR			R253	QRE141J-332Y	C RESISTOR	3.3kΩ 1/4W J	
Q701	KTC3200/GL/-T	TRANSISTOR			R301	QRE141J-102Y	C RESISTOR	1kΩ 1/4W J	
Q702	KTC3200/GL/-T	TRANSISTOR			R362	QRE141J-102Y	C RESISTOR	1kΩ 1/4W J	
Q710	KTA1023/OY/-T	TRANSISTOR			△ R701	QRJ146J-470X	UNF C RESISTOR	47Ω 1/4W J	
Q711	KTC3200/GL/-T	TRANSISTOR			△ R702	QRJ146J-470X	UNF C RESISTOR	47Ω 1/4W J	
Q712	KTA1268/GL/-T	TRANSISTOR			R703	QRE141J-563Y	C RESISTOR	56kΩ 1/4W J	
Q713	KTC1027/OY/-T	TRANSISTOR			R704	QRE141J-563Y	C RESISTOR	56kΩ 1/4W J	
Q725	KTA1268/GL/-T	TRANSISTOR			△ R705	FQRJ143J-821X	UNF C RESISTOR		
Q726	2SC2389S/SE/-T	TRANSISTOR			△ R706	FQRJ143J-821X	UNF C RESISTOR		
Q727	KTA1268/GL/-T	TRANSISTOR			R707	QRE141J-563Y	C RESISTOR	56kΩ 1/4W J	
Q728	2SC2785/FE/-T	TRANSISTOR			R708	QRE141J-563Y	C RESISTOR	56kΩ 1/4W J	
△ D233	2A02-M	DIODE			△ R713	QRJ146J-100X	UNF C RESISTOR	10Ω 1/4W J	
△ D234	2A02-M	DIODE			△ R714	QRJ146J-100X	UNF C RESISTOR	10Ω 1/4W J	
△ D235	2A02-M	DIODE			△ R715	FQRJ143J-100X	UNF C RESISTOR		
△ D236	2A02-M	DIODE			△ R716	FQRJ143J-100X	UNF C RESISTOR		
D252	1N4003S-T5	SI DIODE			R717	QRE141J-102Y	C RESISTOR	1kΩ 1/4W J	
D253	1N4003S-T5	SI DIODE			R718	QRE141J-102Y	C RESISTOR	1kΩ 1/4W J	
D254	1SS119-041-T2	DIODE			R719	QRE141J-562Y	C RESISTOR	5.6kΩ 1/4W J	
D256	MTZJ6.8C-T2	Z DIODE			R720	QRE141J-562Y	C RESISTOR	5.6kΩ 1/4W J	
D304	1SS119-041-T2	DIODE			R721	QRE141J-473Y	C RESISTOR	47kΩ 1/4W J	
D305	MTZJ8.2C-T2	Z DIODE			R722	QRE141J-473Y	C RESISTOR	47kΩ 1/4W J	
D313	MTZJ10C-T2	Z DIODE			R723	QRE141J-682Y	C RESISTOR	6.8kΩ 1/4W J	
D315	MTZJ11B-T2	Z DIODE			R724	QRE141J-682Y	C RESISTOR	6.8kΩ 1/4W J	
D360	1SS119-041-T2	DIODE			R727	QRE141J-104Y	C RESISTOR	100kΩ 1/4W J	
D362	MTZJ8.2C-T2	Z DIODE			R728	QRE141J-103Y	C RESISTOR	10kΩ 1/4W J	
D703	MTZJ15B-T2	Z DIODE			R729	QRE141J-104Y	C RESISTOR	100kΩ 1/4W J	
D704	MTZJ15B-T2	Z DIODE			R730	QRE141J-103Y	C RESISTOR	10kΩ 1/4W J	
D719	1SS119-041-T2	DIODE			R734	QRE141J-103Y	C RESISTOR	10kΩ 1/4W J	
D720	1SS119-041-T2	DIODE			R739	QRE141J-823Y	C RESISTOR	82kΩ 1/4W J	
D723	MTZJ36B-T2	Z DIODE			R740	QRE141J-104Y	C RESISTOR	100kΩ 1/4W J	
D724	MTZJ36B-T2	Z DIODE			R741	QRE141J-682Y	C RESISTOR	6.8kΩ 1/4W J	
D726	1SS119-041-T2	DIODE			R742	QRE141J-682Y	C RESISTOR	6.8kΩ 1/4W J	
D728	1SS119-041-T2	DIODE			R744	QRE141J-104Y	C RESISTOR	100kΩ 1/4W J	
C250	QETN1HM-476Z	E CAPACITOR	47uF 50V M		R753	QRZ0224-R22	EMIT RESISTOR	0.22Ω	
C251	QETN1CM-477Z	E CAPACITOR	470uF 16V M		R754	QRZ0224-R22	EMIT RESISTOR	0.22Ω	
△ C252	QCZ9105-472	C CAPACITOR	4700pF 250V M		R761	QRE141J-102Y	C RESISTOR	1kΩ 1/4W J	
C253	QFLC1HJ-472Z	M CAPACITOR	4700pF 50V J		R762	QRE141J-102Y	C RESISTOR	1kΩ 1/4W J	
C255	QETN0JM-477Z	E CAPACITOR	470uF 6.3V M		R766	QRE141J-333Y	C RESISTOR	33kΩ 1/4W J	
C302	QETN1HM-106Z	E CAPACITOR	10uF 50V M		R768	QRE141J-104Y	C RESISTOR	100kΩ 1/4W J	
C304	QETN1HM-106Z	E CAPACITOR	10uF 50V M		R769	QRE141J-222Y	C RESISTOR	2.2kΩ 1/4W J	
C305	QETN1HM-106Z	E CAPACITOR	10uF 50V M		△ R774	QRJ146J-100X	UNF C RESISTOR	10Ω 1/4W J	
C307	QETN1HM-106Z	E CAPACITOR	10uF 50V M		R775	QRE141J-102Y	C RESISTOR	1kΩ 1/4W J	
C308	QETN1HM-106Z	E CAPACITOR	10uF 50V M		R777	QRE141J-103Y	C RESISTOR	10kΩ 1/4W J	
C311	QETN1HM-106Z	E CAPACITOR	10uF 50V M		R778	QRE141J-103Y	C RESISTOR	10kΩ 1/4W J	
C312	QETN1HM-106Z	E CAPACITOR	10uF 50V M		R786	QRE141J-103Y	C RESISTOR	10kΩ 1/4W J	
C362	QETN1HM-106Z	E CAPACITOR	10uF 50V M		R787	QRE141J-103Y	C RESISTOR	10kΩ 1/4W J	
C703	QCBB1HK-471Y	C CAPACITOR	470pF 50V K		L701	QQLZ035-R39	COIL	0.39uH	
C705	QCBB1HK-221Y	C CAPACITOR	220pF 50V K		L702	QQLZ035-R39	COIL	0.39uH	
C706	QCBB1HK-221Y	C CAPACITOR	220pF 50V K		△ T002	QQT0253-002	POWER TRANSF		
C707	QETN1JM-476Z	E CAPACITOR	47uF 63V M		CN212	QGD2504C1-03Z	CONNECTOR	(1-3)	
C708	QETN1JM-476Z	E CAPACITOR	47uF 63V M		CN213	QGD2504C1-04Z	CONNECTOR	(1-4)	
C709	QCSB1HK-4R7Y	C CAPACITOR	4.7pF 50V K		CN214	QGA3901C1-05	CONNECTOR	W-B (1-5)	
C710	QCSB1HK-4R7Y	C CAPACITOR	4.7pF 50V K		CN215	QGB2510K2-15	CONNECTOR	B-B (1-15)	
C711	QFZ0212-104Z	M CAPACITOR	0.1uF		CN231	QGD2504C1-03Z	CONNECTOR	(1-3)	
C712	QFZ0212-104Z	M CAPACITOR	0.1uF		CN232	QGD2504C1-03Z	CONNECTOR	(1-3)	
C713	QFLC1HJ-473Z	M CAPACITOR	0.047uF 50V J		CN250	QGA7901F2-02	CONNECTOR	W-B (1-2)	
C714	QFLC1HJ-473Z	M CAPACITOR	0.047uF 50V J		CN301	QGB2510K2-13	CONNECTOR	B-B (1-13)	
C715	QFLC1HJ-473Z	M CAPACITOR	0.047uF 50V J		FT111	QNG0003-001Z	FUSE CLIP		
C716	QFLC1HJ-473Z	M CAPACITOR	0.047uF 50V J		FT112	QNG0003-001Z	FUSE CLIP		
C721	QETN1CM-476Z	E CAPACITOR	47uF 16V M		FT511	QNG0003-001Z	FUSE CLIP		
C722	QETN1CM-476Z	E CAPACITOR	47uF 16V M		FT512	QNG0003-001Z	FUSE CLIP		
C723	QETN1AM-107Z	E CAPACITOR	100uF 10V M		FT521	QNG0003-001Z	FUSE CLIP		
C726	QETN1HM-106Z	E CAPACITOR	10uF 50V M		FT522	QNG0003-001Z	FUSE CLIP		
					FT531	QNG0003-001Z	FUSE CLIP		
					FT532	QNG0003-001Z	FUSE CLIP		

Symbol No.	Part No.	Part Name	Description	Local
RY3	QSK0124-001	RELAY		
TW215	QUB350-09HPHP	FLAT WIRE		
TW216	QUB230-06HPHP	WIRE ASSY		

Symbol No.	Part No.	Part Name	Description	Local
D411	1SS119-041-T2	DIODE		
D412	1SS119-041-T2	DIODE		
D415	MTZJ3.9B-T2	Z DIODE		
D425	1SS119-041-T2	DIODE		
D466	1SS119-041-T2	DIODE		
D467	1SS119-041-T2	DIODE		
D486	1SS119-041-T2	DIODE		
D491	1SS119-041-T2	DIODE		
D492	1SS119-041-T2	DIODE		
D513	MTZJ3.9B-T2	Z DIODE		
D514	MTZJ3.9B-T2	Z DIODE		
D522	1SS119-041-T2	DIODE		
D530	1SS119-041-T2	DIODE		
D619	1SS119-041-T2	DIODE		
D620	1SS119-041-T2	DIODE		
D622	MTZJ9.1B-T2	Z DIODE		
D650	1SS119-041-T2	DIODE		
D725	1SS119-041-T2	DIODE		

## Input board

Block No. [0][2][0][0]

Symbol No.	Part No.	Part Name	Description	Local
△ IC240	KIA7812API	IC	Regulator	
IC415	BA033T	REGULATOR IC	Regulator	
IC425	M61519FP	VOLUME IC	Audio signal processor with surround	
IC466	HA17558A	IC	Dual Operational Amp	
IC467	HA17558A	IC	Dual Operational Amp	
IC491	HA17558A	IC	Dual Operational Amp	
IC492	HA17558A	IC	Dual Operational Amp	
IC522	LC72723	IC(RDS)		
IC602	STK432-050	IC		
Q201	KTC1027/OY/-T	TRANSISTOR		
Q202	2SC2785/FE/-T	TRANSISTOR		
Q260	KTC3203/OY/-T	TRANSISTOR		
Q415	KRC104M-T	TRANSISTOR		
Q416	KRC102M-T	DIGI TRANSISTOR		
Q486	2SC2785/FE/-T	TRANSISTOR		
Q487	2SC2785/FE/-T	TRANSISTOR		
Q491	2SC2785/FE/-T	TRANSISTOR		
Q492	2SC2785/FE/-T	TRANSISTOR		
Q493	2SC2785/FE/-T	TRANSISTOR		
Q513	2SC3576-JVC-T	TRANSISTOR		
Q514	2SC3576-JVC-T	TRANSISTOR		
Q515	2SC3576-JVC-T	TRANSISTOR		
Q516	2SC3576-JVC-T	TRANSISTOR		
Q517	2SC3576-JVC-T	TRANSISTOR		
Q518	KRA102M-T	DIGI TRANSISTOR		
Q530	2SC2785/FE/-T	TRANSISTOR		
Q531	KRC111M-T	TRANSISTOR		
Q601	KTC3200/GL/-T	TRANSISTOR		
Q602	KTC3200/GL/-T	TRANSISTOR		
Q612	2SA1175/FE/-T	TRANSISTOR		
Q613	KRC102M-T	DIGI TRANSISTOR		
Q682	KTC3203/OY/-T	TRANSISTOR		
Q690	2SC2785/FE/-T	TRANSISTOR		
Q733	2SC3576-JVC-T	TRANSISTOR		
Q734	2SC3576-JVC-T	TRANSISTOR		
Q735	2SC3576-JVC-T	TRANSISTOR		
Q736	2SC3576-JVC-T	TRANSISTOR		
Q737	KRA111M-T	DIGI TRANSISTOR		
△ D201	1N5402M-20	DIODE		
△ D202	1N5402M-20	DIODE		
△ D203	1N5402M-20	DIODE		
△ D204	1N5402M-20	DIODE		
△ D211	1N5402M-20	DIODE		
△ D212	1N5402M-20	DIODE		
△ D213	1N5402M-20	DIODE		
△ D214	1N5402M-20	DIODE		
D219	MTZJ20B-T2	Z DIODE		
D220	MTZJ6.8B-T2	Z DIODE		
D221	1SS119-041-T2	DIODE		
D222	MTZJ18B-T2	Z DIODE		
D240	MTZJ13B-T2	Z DIODE		
D260	1SS119-041-T2	DIODE		
D261	1SS119-041-T2	DIODE		
D262	1SS119-041-T2	DIODE		
D263	1SS119-041-T2	DIODE		
D264	MTZJ5.1B-T2	Z DIODE		
D265	1SS119-041-T2	DIODE		
D266	1SS119-041-T2	DIODE		

C201	QFKC2EK-103Z	MM CAPACITOR	0.01uF 250V K	
C202	QFKC2EK-103Z	MM CAPACITOR	0.01uF 250V K	
C203	QFKC2EK-104Z	MM CAPACITOR	0.1uF 250V K	
C204	QE20621-478	E CAPACITOR	4700uF	
C205	QE20621-478	E CAPACITOR	4700uF	
C211	QFLC2AJ-103Z	M CAPACITOR	0.01uF 100V J	
C212	QFLC2AJ-103Z	M CAPACITOR	0.01uF 100V J	
C213	QFKC2EK-104Z	MM CAPACITOR	0.1uF 250V K	
C214	QETM1VM-228	E CAPACITOR	2200uF 35V M	
C215	QETM1VM-228	E CAPACITOR	2200uF 35V M	
C217	QETN1JM-107Z	E CAPACITOR	100uF 63V M	
C218	QETN1HM-226Z	E CAPACITOR	22uF 50V M	
C219	QDYB1CM-103Y	C CAPACITOR	0.01uF 16V M	
C220	QETN1HM-226Z	E CAPACITOR	22uF 50V M	
C222	QETN1EM-106Z	E CAPACITOR	10uF 25V M	
C236	QETM1EM-688	E CAPACITOR	6800uF 25V M	
C240	QETN1HM-106Z	E CAPACITOR	10uF 50V M	
C241	QETN1HM-106Z	E CAPACITOR	10uF 50V M	
C260	QETN1EM-476Z	E CAPACITOR	47uF 25V M	
C401	QCB1HK-221Y	C CAPACITOR	220pF 50V K	
C402	QCB1HK-221Y	C CAPACITOR	220pF 50V K	
C403	FQCF31HP-223Z	M CAPACITOR		
C404	FQCF31HP-103Z	D.CAPACITOR		
C408	FQCF31HP-103Z	D.CAPACITOR		
C409	QDGB1HK-102Y	C CAPACITOR	1000pF 50V K	
C410	QDGB1HK-102Y	C CAPACITOR	1000pF 50V K	
C411	QCB1HK-222Y	C CAPACITOR	2200pF 50V K	
C412	QCB1HK-221Y	C CAPACITOR	220pF 50V K	
C413	QCB1HK-221Y	C CAPACITOR	220pF 50V K	
C415	QETN1AM-227Z	E CAPACITOR	220uF 10V M	
C417	QFLC1HJ-103Z	M CAPACITOR	0.01uF 50V J	
C418	QETN1HM-106Z	E CAPACITOR	10uF 50V M	
C419	QETN1HM-106Z	E CAPACITOR	10uF 50V M	
C420	QFLC1HJ-103Z	M CAPACITOR	0.01uF 50V J	
C422	QFLC1HJ-104Z	M CAPACITOR	0.1uF 50V J	
C423	QFLC1HJ-104Z	M CAPACITOR	0.1uF 50V J	
C425	QETN1HM-106Z	E CAPACITOR	10uF 50V M	
C426	QETN1HM-106Z	E CAPACITOR	10uF 50V M	
C427	QETN1HM-225Z	E CAPACITOR	2.2uF 50V M	
C428	QETN1HM-225Z	E CAPACITOR	2.2uF 50V M	
C429	QETN1HM-225Z	E CAPACITOR	2.2uF 50V M	
C430	QETN1HM-225Z	E CAPACITOR	2.2uF 50V M	
C431	QETN1HM-225Z	E CAPACITOR	2.2uF 50V M	
C432	QETN1HM-225Z	E CAPACITOR	2.2uF 50V M	
C433	QETN1EM-106Z	E CAPACITOR	10uF 25V M	
C434	QETN1EM-106Z	E CAPACITOR	10uF 25V M	
C436	QFLC1HJ-223Z	M CAPACITOR	0.022uF 50V J	
C437	QETN1CM-107Z	E CAPACITOR	100uF 16V M	
C438	QFLC1HJ-223Z	M CAPACITOR	0.022uF 50V J	
C440	QFLC1HJ-473Z	M CAPACITOR	0.047uF 50V J	
C441	QFLC1HJ-223Z	M CAPACITOR	0.022uF 50V J	
C442	QFLC1HJ-472Z	M CAPACITOR	4700pF 50V J	
C443	QETN1HM-105Z	E CAPACITOR	1uF 50V M	
C444	QETN1HM-106Z	E CAPACITOR	10uF 50V M	
C445	QFLC1HJ-223Z	M CAPACITOR	0.022uF 50V J	
C446	QFLC1HJ-183Z	M CAPACITOR	0.018uF 50V J	
C447	QFLC1HJ-473Z	M CAPACITOR	0.047uF 50V J	
C448	QFLC1HJ-183Z	M CAPACITOR	0.018uF 50V J	
C449	QFLC1HJ-472Z	M CAPACITOR	4700pF 50V J	

△ Symbol No.	Part No.	Part Name	Description	Local	△ Symbol No.	Part No.	Part Name	Description	Local
C450	QETN1AM-477Z	E CAPACITOR	470uF 10V M		C734	QFLC1HJ-332Z	M CAPACITOR	3300pF 50V J	
C451	QETN1HM-106Z	E CAPACITOR	10uF 50V M		C735	QFLC1HJ-332Z	M CAPACITOR	3300pF 50V J	
C452	QETN1HM-105Z	E CAPACITOR	1uF 50V M		C736	QDGB1HK-102Y	C CAPACITOR	1000pF 50V K	
C453	QFLC1HJ-183Z	M CAPACITOR	0.018uF 50V J		C737	QDGB1HK-102Y	C CAPACITOR	1000pF 50V K	
C455	QFLC1HJ-183Z	M CAPACITOR	0.018uF 50V J		C740	QDGB1HK-102Y	C CAPACITOR	1000pF 50V K	
C456	QDGB1HK-681Y	C CAPACITOR	680pF 50V K		C741	QDGB1HK-102Y	C CAPACITOR	1000pF 50V K	
C457	QETN1HM-106Z	E CAPACITOR	10uF 50V M		△ R202	QRJ146J-470X	UNF C RESISTOR	47Ω 1/4W J	
C458	QETN1HM-106Z	E CAPACITOR	10uF 50V M		R203	QRE141J-752Y	C RESISTOR	7.5kΩ 1/4W J	
C463	QFLC1HJ-473Z	M CAPACITOR	0.047uF 50V J		R204	QRE141J-104Y	C RESISTOR	100kΩ 1/4W J	
C464	QETN1AM-477Z	E CAPACITOR	470uF 10V M		R215	QRE141J-104Y	C RESISTOR	100kΩ 1/4W J	
C465	QETN1HM-106Z	E CAPACITOR	10uF 50V M		R216	QRE141J-104Y	C RESISTOR	100kΩ 1/4W J	
C466	QETN1HM-475Z	E CAPACITOR	4.7uF 50V M		R217	QRE141J-104Y	C RESISTOR	100kΩ 1/4W J	
C467	QFLC1HJ-153Z	M CAPACITOR	0.015uF 50V J		R218	QRE141J-104Y	C RESISTOR	100kΩ 1/4W J	
C468	QFLC1HJ-822Z	M CAPACITOR	8200pF 50V J		△ R240	QRZ9005-100X	FUSI RESISTOR	10Ω	
C469	QFVJ1HJ-274Z	MF CAPACITOR	0.27uF 50V J		R260	QRE141J-103Y	C RESISTOR	10kΩ 1/4W J	
C470	QETN1CM-107Z	E CAPACITOR	100uF 16V M		R261	QRE141J-202Y	C RESISTOR	2kΩ 1/4W J	
C471	QETN1HM-475Z	E CAPACITOR	4.7uF 50V M		R262	QRE141J-103Y	C RESISTOR	10kΩ 1/4W J	
C472	QFVJ1HJ-224Z	MF CAPACITOR	0.22uF 50V J		R263	QRE141J-202Y	C RESISTOR	2kΩ 1/4W J	
C473	QFLC1HJ-273Z	M CAPACITOR	0.027uF 50V J		R265	QRE141J-472Y	C RESISTOR	4.7kΩ 1/4W J	
C474	QFLC1HJ-222Z	M CAPACITOR	2200pF 50V J		R401	QRE141J-102Y	C RESISTOR	1kΩ 1/4W J	
C486	QETN1HM-105Z	E CAPACITOR	1uF 50V M		R402	QRE141J-102Y	C RESISTOR	1kΩ 1/4W J	
C487	QDGB1HK-681Y	C CAPACITOR	680pF 50V K		R403	QRE141J-102Y	C RESISTOR	1kΩ 1/4W J	
C488	QDXB1CM-182Y	C CAPACITOR	1800pF 16V M		R404	QRE141J-102Y	C RESISTOR	1kΩ 1/4W J	
C489	QCSB1HJ-330Y	C CAPACITOR	33pF 50V J		R408	QRE141J-223Y	C RESISTOR	22kΩ 1/4W J	
C490	QFLC1HJ-153Z	M CAPACITOR	0.015uF 50V J		R409	QRE141J-223Y	C RESISTOR	22kΩ 1/4W J	
C491	QETN1HM-105Z	E CAPACITOR	1uF 50V M		R411	QRE141J-183Y	C RESISTOR	18kΩ 1/4W J	
C492	QETN1CM-476Z	E CAPACITOR	47uF 16V M		R412	QRE141J-183Y	C RESISTOR	18kΩ 1/4W J	
C493	QETN1CM-476Z	E CAPACITOR	47uF 16V M		R413	QRE141J-623Y	C RESISTOR	62kΩ 1/4W J	
C494	QCBB1HK-101Y	C CAPACITOR	100pF 50V K		R414	QRE141J-623Y	C RESISTOR	62kΩ 1/4W J	
C495	QETN1HM-476Z	E CAPACITOR	47uF 50V M		R415	QRE141J-102Y	C RESISTOR	1kΩ 1/4W J	
C496	QETN1JM-476Z	E CAPACITOR	47uF 63V M		R416	QRE141J-102Y	C RESISTOR	1kΩ 1/4W J	
C497	QETN1HM-225Z	E CAPACITOR	2.2uF 50V M		R417	QRE141J-113Y	C RESISTOR	11kΩ 1/4W J	
C498	QETN1CM-227Z	E CAPACITOR	220uF 16V M		R418	QRE141J-113Y	C RESISTOR	11kΩ 1/4W J	
C499	QFLC1HJ-104Z	M CAPACITOR	0.1uF 50V J		R419	QRE141J-122Y	C RESISTOR	1.2kΩ 1/4W J	
C500	QFLC1HJ-104Z	M CAPACITOR	0.1uF 50V J		R420	QRE141J-122Y	C RESISTOR	1.2kΩ 1/4W J	
C501	QETN1CM-476Z	E CAPACITOR	47uF 16V M		R421	QRE141J-222Y	C RESISTOR	2.2kΩ 1/4W J	
C502	QFLC1HJ-333Z	M CAPACITOR	0.033uF 50V J		R422	QRE141J-103Y	C RESISTOR	10kΩ 1/4W J	
C503	QFLC1HJ-823Z	M CAPACITOR	0.082uF 50V J		R423	QRE141J-103Y	C RESISTOR	10kΩ 1/4W J	
C504	QETN1CM-476Z	E CAPACITOR	47uF 16V M		R424	QRE141J-104Y	C RESISTOR	100kΩ 1/4W J	
C513	QETN1HM-106Z	E CAPACITOR	10uF 50V M		R425	QRE141J-103Y	C RESISTOR	10kΩ 1/4W J	
C522	QFLC1HJ-104Z	M CAPACITOR	0.1uF 50V J		R429	QRE141J-222Y	C RESISTOR	2.2kΩ 1/4W J	
C523	QCSB1HJ-220Y	C CAPACITOR	22pF 50V J		R430	QRE141J-222Y	C RESISTOR	2.2kΩ 1/4W J	
C524	QCSB1HJ-220Y	C CAPACITOR	22pF 50V J		R431	QRE141J-103Y	C RESISTOR	10kΩ 1/4W J	
C525	QCBB1HK-561Y	C CAPACITOR	560pF 50V K		R432	QRE141J-103Y	C RESISTOR	10kΩ 1/4W J	
C526	QFLC1HJ-104Z	M CAPACITOR	0.1uF 50V J		R433	QRE141J-513Y	C RESISTOR	51kΩ 1/4W J	
C527	QCBB1HK-331Y	C CAPACITOR	330pF 50V K		R434	QRE141J-513Y	C RESISTOR	51kΩ 1/4W J	
C528	QETN1HM-106Z	E CAPACITOR	10uF 50V M		R435	QRE141J-104Y	C RESISTOR	100kΩ 1/4W J	
C530	QETN1HM-105Z	E CAPACITOR	1uF 50V M		R436	QRE141J-104Y	C RESISTOR	100kΩ 1/4W J	
C531	QCSB1HJ-330Y	C CAPACITOR	33pF 50V J		R437	QRE141J-123Y	C RESISTOR	12kΩ 1/4W J	
C532	QETN1HM-105Z	E CAPACITOR	1uF 50V M		R438	QRE141J-123Y	C RESISTOR	12kΩ 1/4W J	
C533	QETN1HM-105Z	E CAPACITOR	1uF 50V M		R439	QRE141J-203Y	C RESISTOR	20kΩ 1/4W J	
C601	FQCF31HZ-223Z	D.CAPACITOR			R440	QRE141J-203Y	C RESISTOR	20kΩ 1/4W J	
C602	FQCF31HZ-223Z	D.CAPACITOR			R441	QRE141J-153Y	C RESISTOR	15kΩ 1/4W J	
C603	QCBB1HK-221Y	C CAPACITOR	220pF 50V K		R442	QRE141J-153Y	C RESISTOR	15kΩ 1/4W J	
C604	QCBB1HK-221Y	C CAPACITOR	220pF 50V K		R443	QRE141J-223Y	C RESISTOR	22kΩ 1/4W J	
C605	QCBB1HK-221Y	C CAPACITOR	220pF 50V K		R444	QRE141J-223Y	C RESISTOR	22kΩ 1/4W J	
C606	QCBB1HK-221Y	C CAPACITOR	220pF 50V K		R466	QRE141J-104Y	C RESISTOR	100kΩ 1/4W J	
C607	QETN1JM-476Z	E CAPACITOR	47uF 63V M		R467	QRE141J-104Y	C RESISTOR	100kΩ 1/4W J	
C608	QETN1JM-476Z	E CAPACITOR	47uF 63V M		R468	QRE141J-433Y	C RESISTOR	43kΩ 1/4W J	
C609	QCSB1HJ-100Y	C CAPACITOR	10pF 50V J		R469	QRE141J-433Y	C RESISTOR	43kΩ 1/4W J	
C610	QCSB1HJ-100Y	C CAPACITOR	10pF 50V J		R470	QRE141J-274Y	C RESISTOR	270kΩ 1/4W J	
C611	QETN1HM-476Z	E CAPACITOR	47uF 50V M		R471	QRE141J-101Y	C RESISTOR	100Ω 1/4W J	
C612	QETN1HM-476Z	E CAPACITOR	47uF 50V M		R472	QRE141J-104Y	C RESISTOR	100kΩ 1/4W J	
C613	QFLC1HJ-473Z	M CAPACITOR	0.047uF 50V J		R473	QRE141J-104Y	C RESISTOR	100kΩ 1/4W J	
C614	QFLC1HJ-473Z	M CAPACITOR	0.047uF 50V J		R474	QRE141J-223Y	C RESISTOR	22kΩ 1/4W J	
C615	QFLC1HJ-473Z	M CAPACITOR	0.047uF 50V J		R475	QRE141J-223Y	C RESISTOR	22kΩ 1/4W J	
C616	QFLC1HJ-473Z	M CAPACITOR	0.047uF 50V J		R476	QRE141J-114Y	C RESISTOR	110kΩ 1/4W J	
C621	QTE1V06-106Z	E CAPACITOR	10uF 35V		R477	QRE141J-563Y	C RESISTOR	56kΩ 1/4W J	
C622	QTE1V06-106Z	E CAPACITOR	10uF 35V		R478	QRE141J-132Y	C RESISTOR	1.3kΩ 1/4W J	
C623	QETN1HM-106Z	E CAPACITOR	10uF 50V M		R479	QRE141J-822Y	C RESISTOR	8.2kΩ 1/4W J	
C624	QETN1HM-106Z	E CAPACITOR	10uF 50V M		R480	QRE141J-823Y	C RESISTOR	82kΩ 1/4W J	
C639	QETN1HM-105Z	E CAPACITOR	1uF 50V M		R481	QRE141J-222Y	C RESISTOR	2.2kΩ 1/4W J	
C651	QFLC1HJ-332Z	M CAPACITOR	3300pF 50V J		R486	QRE141J-104Y	C RESISTOR	100kΩ 1/4W J	
C652	QFLC1HJ-332Z	M CAPACITOR	3300pF 50V J		R487	QRE141J-220Y	C RESISTOR	22Ω 1/4W J	
C653	QFLC1HJ-104Z	M CAPACITOR	0.1uF 50V J		R488	QRE141J-225Y	C RESISTOR	2.2MΩ 1/4W J	
C654	QFLC1HJ-104Z	M CAPACITOR	0.1uF 50V J		R489	QRE141J-473Y	C RESISTOR	47kΩ 1/4W J	
C732	QFLC1HJ-104Z	M CAPACITOR	0.1uF 50V J		R491	QRE141J-101Y	C RESISTOR	100Ω 1/4W J	
C733	QFLC1HJ-104Z	M CAPACITOR	0.1uF 50V J						

△ Symbol No.	Part No.	Part Name	Description	Local
R492	QRE141J-101Y	C RESISTOR	100Ω 1/4W J	
R493	QRE141J-224Y	C RESISTOR	220kΩ 1/4W J	
R494	QRE141J-682Y	C RESISTOR	6.8kΩ 1/4W J	
R495	QRE141J-104Y	C RESISTOR	100kΩ 1/4W J	
R496	QRE141J-154Y	C RESISTOR	150kΩ 1/4W J	
R497	QRE141J-104Y	C RESISTOR	100kΩ 1/4W J	
R498	QRE141J-473Y	C RESISTOR	47kΩ 1/4W J	
R499	QRE141J-473Y	C RESISTOR	47kΩ 1/4W J	
R500	QRE141J-104Y	C RESISTOR	100kΩ 1/4W J	
R501	QRE141J-102Y	C RESISTOR	1kΩ 1/4W J	
R502	QRE141J-562Y	C RESISTOR	5.6kΩ 1/4W J	
R503	QRE141J-102Y	C RESISTOR	1kΩ 1/4W J	
R504	QRE141J-271Y	C RESISTOR	270Ω 1/4W J	
R505	QRE141J-223Y	C RESISTOR	22kΩ 1/4W J	
R506	QRE141J-822Y	C RESISTOR	8.2kΩ 1/4W J	
R507	QRE141J-113Y	C RESISTOR	11kΩ 1/4W J	
R508	QRE141J-152Y	C RESISTOR	1.5kΩ 1/4W J	
R509	QRE141J-124Y	C RESISTOR	120kΩ 1/4W J	
R510	QRE141J-223Y	C RESISTOR	22kΩ 1/4W J	
R511	QRE141J-103Y	C RESISTOR	10kΩ 1/4W J	
R512	QRE141J-223Y	C RESISTOR	22kΩ 1/4W J	
R513	QRE141J-223Y	C RESISTOR	22kΩ 1/4W J	
R514	QRE141J-223Y	C RESISTOR	22kΩ 1/4W J	
R515	QRE141J-512Y	C RESISTOR	5.1kΩ 1/4W J	
R516	QRE141J-272Y	C RESISTOR	2.7kΩ 1/4W J	
R517	QRE141J-103Y	C RESISTOR	10kΩ 1/4W J	
R518	QRE141J-103Y	C RESISTOR	10kΩ 1/4W J	
R519	QRE141J-103Y	C RESISTOR	10kΩ 1/4W J	
R520	QRE141J-103Y	C RESISTOR	10kΩ 1/4W J	
R521	QRE141J-102Y	C RESISTOR	1kΩ 1/4W J	
R522	QRE141J-103Y	C RESISTOR	10kΩ 1/4W J	
R523	QRE141J-102Y	C RESISTOR	1kΩ 1/4W J	
R524	QRE141J-102Y	C RESISTOR	1kΩ 1/4W J	
R530	QRE141J-225Y	C RESISTOR	2.2MΩ 1/4W J	
R531	QRE141J-473Y	C RESISTOR	47kΩ 1/4W J	
R532	QRE141J-682Y	C RESISTOR	6.8kΩ 1/4W J	
R533	QRE141J-104Y	C RESISTOR	100kΩ 1/4W J	
R534	QRE141J-103Y	C RESISTOR	10kΩ 1/4W J	
R535	QRE141J-104Y	C RESISTOR	100kΩ 1/4W J	
△ R601	QRJ146J-101X	UNF C RESISTOR	100Ω 1/4W J	
△ R602	QRJ146J-101X	UNF C RESISTOR	100Ω 1/4W J	
R603	QRE141J-563Y	C RESISTOR	56kΩ 1/4W J	
R604	QRE141J-563Y	C RESISTOR	56kΩ 1/4W J	
△ R605	FQRJ143J-122X	UNF C RESISTOR		
△ R606	FQRJ143J-122X	UNF C RESISTOR		
R607	QRE141J-563Y	C RESISTOR	56kΩ 1/4W J	
R608	QRE141J-563Y	C RESISTOR	56kΩ 1/4W J	
△ R613	QRJ146J-100X	UNF C RESISTOR	10Ω 1/4W J	
△ R614	QRJ146J-100X	UNF C RESISTOR	10Ω 1/4W J	
△ R615	FQRJ143J-100X	UNF C RESISTOR		
△ R616	FQRJ143J-100X	UNF C RESISTOR		
R617	QRE141J-221Y	C RESISTOR	220Ω 1/4W J	
R618	QRE141J-221Y	C RESISTOR	220Ω 1/4W J	
R619	QRE141J-222Y	C RESISTOR	2.2kΩ 1/4W J	
R620	QRE141J-222Y	C RESISTOR	2.2kΩ 1/4W J	
R621	QRE141J-473Y	C RESISTOR	47kΩ 1/4W J	
R623	QRE141J-473Y	C RESISTOR	47kΩ 1/4W J	
△ R637	QRK126J-151X	UNF C RESISTOR	150Ω 1/2W J	
△ R638	QRK126J-151X	UNF C RESISTOR	150Ω 1/2W J	
△ R639	QRL01DJ-821X	OMF RESISTOR	820Ω 1W J	
△ R640	QRL01DJ-821X	OMF RESISTOR	820Ω 1W J	
△ R641	QRK126J-151X	UNF C RESISTOR	150Ω 1/2W J	
△ R642	QRL01DJ-821X	OMF RESISTOR	820Ω 1W J	
△ R643	QRL01DJ-821X	OMF RESISTOR	820Ω 1W J	
R650	QRZ9006-4R7X	F.RESISTOR	4.7Ω 1/4W J	
R651	QRZ9006-4R7X	F.RESISTOR	4.7Ω 1/4W J	
△ R652	QRT01DJ-R22X	MF RESISTOR	0.22Ω 1W J	
△ R654	QRT01DJ-R22X	MF RESISTOR	0.22Ω 1W J	
R666	QRE141J-333Y	C RESISTOR	33kΩ 1/4W J	
R667	QRE141J-103Y	C RESISTOR	10kΩ 1/4W J	
R668	QRE141J-103Y	C RESISTOR	10kΩ 1/4W J	
△ R674	QRJ146J-100X	UNF C RESISTOR	10Ω 1/4W J	
R675	QRE141J-102Y	C RESISTOR	1kΩ 1/4W J	
R676	QRE141J-102Y	C RESISTOR	1kΩ 1/4W J	
R680	QRE141J-222Y	C RESISTOR	2.2kΩ 1/4W J	
R682	QRE141J-102Y	C RESISTOR	1kΩ 1/4W J	
R683	QRE141J-103Y	C RESISTOR	10kΩ 1/4W J	
R725	QRE141J-823Y	C RESISTOR	82kΩ 1/4W J	

△ Symbol No.	Part No.	Part Name	Description	Local
R726	QRE141J-104Y	C RESISTOR	100kΩ 1/4W J	
R731	QRZ9006-4R7X	F.RESISTOR	4.7Ω 1/4W J	
R732	QRZ9006-4R7X	F.RESISTOR	4.7Ω 1/4W J	
R733	QRE141J-472Y	C RESISTOR	4.7kΩ 1/4W J	
R734	QRE141J-472Y	C RESISTOR	4.7kΩ 1/4W J	
R735	QRE141J-472Y	C RESISTOR	4.7kΩ 1/4W J	
R736	QRE141J-472Y	C RESISTOR	4.7kΩ 1/4W J	
△ R737	QRK126J-151X	UNF C RESISTOR	150Ω 1/2W J	
△ R738	QRK126J-151X	UNF C RESISTOR	150Ω 1/2W J	
△ R743	QRK126J-151X	UNF C RESISTOR	150Ω 1/2W J	
L411	QQR1183-001Z	FERRITE BEADS		
L522	QQL231K-101Y	COIL	100uH K	
L601	QQLZ035-R39	COIL	0.39uH	
L602	QQLZ035-R39	COIL	0.39uH	
L703	QQL231K-470Y	COIL	47uH K	
CN11	QGF1205F1-11	CONNECTOR	FFC/FPC (1-11)	
CN44	QGF1201F3-10	CONNECTOR	FFC/FPC (1-10)	
CN205	QGB2510J1-15	CONNECTOR	B-B (1-15)	
CN206	QGA2501F1-02	CONNECTOR	W-B (1-2)	
CN207	QGB2510K2-06	CONNECTOR	B-B (1-6)	
CN217	QGB2510J1-06	CONNECTOR	B-B (1-6)	
CN311	QGB2510J1-13	CONNECTOR	B-B (1-13)	
CN661	QGF1036F1-17	CONNECTOR	FFC/FPC (1-17)	
CN701	QGD2503F1-04	CONNECTOR	(1-4)	
CN870	QGF1205F1-23	CONNECTOR	FFC/FPC (1-23)	
FW202	QUM157-07DGZ4	FW CABLE		
FW204	QJK015-050604	WIRE SOCKET		
J81	QNB0171-001	SPK TERMINAL		
J411	QNN0420-001	PIN JACK		
RY1	QSK0109-001	RELAY		
RY2	QSK0109-001	RELAY		
SP425	GV40205-001A	IC HOLDER		
TW409	QUB230-06HPHP	WIRE ASSY		
X522	QAX0263-001Z	CRYSTAL	4.332MHz	

## Front board

Block No. [0][3][0][0]

△ Symbol No.	Part No.	Part Name	Description	Local
IC810	UPD784215AGF535	IC		
IC951	GP1UM271XK	IR DETECT UNIT	IR detecting unit for remote control	
Q821	KRC102M-T	DIGI TRANSISTOR		
Q822	KRC102M-T	DIGI TRANSISTOR		
Q823	KRC102M-T	DIGI TRANSISTOR		
Q824	KRC102M-T	DIGI TRANSISTOR		
Q825	KRC102M-T	DIGI TRANSISTOR		
Q826	KRC102M-T	DIGI TRANSISTOR		
Q827	KRC102M-T	DIGI TRANSISTOR		
Q828	KRC102M-T	DIGI TRANSISTOR		
Q829	KRC102M-T	DIGI TRANSISTOR		
Q830	KRC102M-T	DIGI TRANSISTOR		
Q833	KRA111M-T	DIGI TRANSISTOR		
Q834	KRC102M-T	DIGI TRANSISTOR		
Q835	KRC102M-T	DIGI TRANSISTOR		
Q836	KRC102M-T	DIGI TRANSISTOR		
Q837	KRC102M-T	DIGI TRANSISTOR		
Q838	KRC102M-T	DIGI TRANSISTOR		
Q875	KRC102M-T	DIGI TRANSISTOR		
Q916	KTA1267/YG-T	TRANSISTOR		
Q917	KRC102M-T	DIGI TRANSISTOR		
Q930	KRA102M-T	DIGI TRANSISTOR		
Q932	KRA102M-T	DIGI TRANSISTOR		
Q934	KRA102M-T	DIGI TRANSISTOR		
Q936	KRA102M-T	DIGI TRANSISTOR		
Q980	KRC102M-T	DIGI TRANSISTOR		
D801	1SS119-041-T2	DIODE		
D802	1SS119-041-T2	DIODE		
D803	1SS119-041-T2	DIODE		

△ Symbol No.	Part No.	Part Name	Description	Local	△ Symbol No.	Part No.	Part Name	Description	Local
D804	1SS119-041-T2	DIODE			R813	QRE141J-102Y	C RESISTOR	1kΩ 1/4W J	
D806	1SS119-041-T2	DIODE			R814	QRE141J-103Y	C RESISTOR	10kΩ 1/4W J	
D807	1SS119-041-T2	DIODE			R815	QRE141J-103Y	C RESISTOR	10kΩ 1/4W J	
D808	1SS119-041-T2	DIODE			R816	QRE141J-102Y	C RESISTOR	1kΩ 1/4W J	
D821	SLA-362LT-T	LED			R817	QRE141J-103Y	C RESISTOR	10kΩ 1/4W J	
D822	SLA-362LT-T	LED			R818	QRE141J-103Y	C RESISTOR	10kΩ 1/4W J	
D823	SLA-362LT-T	LED			R819	QRE141J-221Y	C RESISTOR	220Ω 1/4W J	
D824	SLA-362LT-T	LED			R820	QRE141J-221Y	C RESISTOR	220Ω 1/4W J	
D825	SLA-362LT-T	LED			R821	QRE141J-221Y	C RESISTOR	220Ω 1/4W J	
D826	SLA-362LT-T	LED			R822	QRE141J-221Y	C RESISTOR	220Ω 1/4W J	
D827	SLA-362LT-T	LED			R823	QRE141J-221Y	C RESISTOR	220Ω 1/4W J	
D828	SLA-362LT-T	LED			R824	QRE141J-221Y	C RESISTOR	220Ω 1/4W J	
D829	SLA-362LT-T	LED			R825	QRE141J-221Y	C RESISTOR	220Ω 1/4W J	
D830	SLA-362LT-T	LED			R826	QRE141J-221Y	C RESISTOR	220Ω 1/4W J	
D833	MTZJ4.3B-T2	Z DIODE			R827	QRE141J-221Y	C RESISTOR	220Ω 1/4W J	
D834	SLA-362LT-T	LED			R828	QRE141J-221Y	C RESISTOR	220Ω 1/4W J	
D835	SLA-362LT-T	LED			R829	QRE141J-221Y	C RESISTOR	220Ω 1/4W J	
D836	SLA-362LT-T	LED			R830	QRE141J-221Y	C RESISTOR	220Ω 1/4W J	
D837	SLA-362LT-T	LED			R833	QRE141J-222Y	C RESISTOR	2.2kΩ 1/4W J	
D838	SLA-362LT-T	LED			R834	QRE141J-221Y	C RESISTOR	220Ω 1/4W J	
D901	SMLU12E16W-P-T	LED			R835	QRE141J-221Y	C RESISTOR	220Ω 1/4W J	
D902	SMLU12E16W-P-T	LED			R836	QRE141J-221Y	C RESISTOR	220Ω 1/4W J	
D962	SLR-342VC-T	LED			R837	QRE141J-221Y	C RESISTOR	220Ω 1/4W J	
D972	SLI-57OUT3F	LED			R838	QRE141J-221Y	C RESISTOR	220Ω 1/4W J	
D980	MTZJ5.1B-T2	Z DIODE			R839	QRE141J-102Y	C RESISTOR	1kΩ 1/4W J	
D981	1SS119-041-T2	DIODE			R840	QRE141J-221Y	C RESISTOR	220Ω 1/4W J	
D982	1SS119-041-T2	DIODE			R841	QRE141J-103Y	C RESISTOR	10kΩ 1/4W J	
D983	1SS119-041-T2	DIODE			R842	QRE141J-221Y	C RESISTOR	220Ω 1/4W J	
D1003	MTZJ2.4B-T2	Z DIODE			R843	QRE141J-221Y	C RESISTOR	220Ω 1/4W J	
					R844	QRE141J-221Y	C RESISTOR	220Ω 1/4W J	
C801	QCFC1HZ-105Y	C CAPACITOR	1uF 50V Z		R845	QRE141J-102Y	C RESISTOR	1kΩ 1/4W J	
C803	QETN0JM-477Z	E CAPACITOR	470uF 6.3V M		R847	QRE141J-102Y	C RESISTOR	1kΩ 1/4W J	
C804	QETN0JM-227Z	E CAPACITOR	220uF 6.3V M		R848	QRE141J-104Y	C RESISTOR	100kΩ 1/4W J	
C806	QEK1HM-105Z	E CAPACITOR	1uF 50V M		R849	QRE141J-104Y	C RESISTOR	100kΩ 1/4W J	
C807	QEK1HM-105Z	E CAPACITOR	1uF 50V M		R850	QRE141J-221Y	C RESISTOR	220Ω 1/4W J	
C808	QCSB1HJ-270Y	C CAPACITOR	27pF 50V J		R851	QRE141J-221Y	C RESISTOR	220Ω 1/4W J	
C809	QCSB1HJ-300Y	C CAPACITOR	30pF 50V J		R853	QRE141J-101Y	C RESISTOR	100Ω 1/4W J	
C810	QEK1HM-106Z	E CAPACITOR	10uF 50V M		R856	QRE141J-102Y	C RESISTOR	1kΩ 1/4W J	
C811	QCBB1HK-101Y	C CAPACITOR	100pF 50V K		R857	QRE141J-221Y	C RESISTOR	220Ω 1/4W J	
C812	QCBB1HK-101Y	C CAPACITOR	100pF 50V K		R858	QRE141J-221Y	C RESISTOR	220Ω 1/4W J	
C813	QCBB1HK-101Y	C CAPACITOR	100pF 50V K		R859	QRE141J-221Y	C RESISTOR	220Ω 1/4W J	
C814	QCBB1HK-101Y	C CAPACITOR	100pF 50V K		R860	QRE141J-221Y	C RESISTOR	220Ω 1/4W J	
C818	QEKJ0JM-227Z	E CAPACITOR	220uF 6.3V M		R861	QRE141J-221Y	C RESISTOR	220Ω 1/4W J	
C819	QEKJ0JM-227Z	E CAPACITOR	220uF 6.3V M		R866	QRE141J-102Y	C RESISTOR	1kΩ 1/4W J	
C820	QCFC1HZ-105Y	C CAPACITOR	1uF 50V Z		R867	QRE141J-102Y	C RESISTOR	1kΩ 1/4W J	
C821	QDYB1CM-103Y	C CAPACITOR	0.01uF 16V M		R868	QRE141J-102Y	C RESISTOR	1kΩ 1/4W J	
C831	QDVB1EZ-223Y	C CAPACITOR	0.022uF 25V Z		R869	QRE141J-102Y	C RESISTOR	1kΩ 1/4W J	
C832	QDVB1EZ-223Y	C CAPACITOR	0.022uF 25V Z		R870	QRE141J-221Y	C RESISTOR	220Ω 1/4W J	
C833	QCFC1HZ-105Y	C CAPACITOR	1uF 50V Z		R871	QRE141J-102Y	C RESISTOR	1kΩ 1/4W J	
C835	QDGB1HK-102Y	C CAPACITOR	1000pF 50V K		R873	QRE141J-221Y	C RESISTOR	220Ω 1/4W J	
C836	QEK1EM-106Z	E CAPACITOR	10uF 25V M		R876	QRE141J-103Y	C RESISTOR	10kΩ 1/4W J	
C840	QETN0JM-107Z	E CAPACITOR	100uF 6.3V M		R877	QRE141J-221Y	C RESISTOR	220Ω 1/4W J	
C889	QETN1HM-475Z	E CAPACITOR	4.7uF 50V M		R878	QRE141J-221Y	C RESISTOR	220Ω 1/4W J	
C900	QDYB1CM-103Y	C CAPACITOR	0.01uF 16V M		R879	QRE141J-221Y	C RESISTOR	220Ω 1/4W J	
C901	QDYB1CM-103Y	C CAPACITOR	0.01uF 16V M		R880	QRE141J-221Y	C RESISTOR	220Ω 1/4W J	
C902	QDYB1CM-103Y	C CAPACITOR	0.01uF 16V M		R881	QRE141J-103Y	C RESISTOR	10kΩ 1/4W J	
C903	QDYB1CM-103Y	C CAPACITOR	0.01uF 16V M		R882	QRE141J-103Y	C RESISTOR	10kΩ 1/4W J	
C958	QDYB1CM-103Y	C CAPACITOR	0.01uF 16V M		R883	QRE141J-103Y	C RESISTOR	10kΩ 1/4W J	
C959	QDYB1CM-103Y	C CAPACITOR	0.01uF 16V M		R884	QRE141J-102Y	C RESISTOR	1kΩ 1/4W J	
C960	QDYB1CM-103Y	C CAPACITOR	0.01uF 16V M		R885	QRE141J-103Y	C RESISTOR	10kΩ 1/4W J	
C961	QDYB1CM-103Y	C CAPACITOR	0.01uF 16V M		R887	QRE141J-221Y	C RESISTOR	220Ω 1/4W J	
C962	QDYB1CM-103Y	C CAPACITOR	0.01uF 16V M		R888	QRE141J-221Y	C RESISTOR	220Ω 1/4W J	
C963	QDYB1CM-103Y	C CAPACITOR	0.01uF 16V M		R889	QRE141J-221Y	C RESISTOR	220Ω 1/4W J	
C980	QEK1HM-475Z	E CAPACITOR	4.7uF 50V M		R896	QRE141J-221Y	C RESISTOR	220Ω 1/4W J	
C1003	QDXB1CM-222Y	C CAPACITOR	2200pF 16V M		R900	QRE141J-101Y	C RESISTOR	100Ω 1/4W J	
C1004	QDGB1HK-102Y	C CAPACITOR	1000pF 50V K		R901	QRE141J-101Y	C RESISTOR	100Ω 1/4W J	
C1005	QDGB1HK-102Y	C CAPACITOR	1000pF 50V K		R902	QRE141J-121Y	C RESISTOR	120Ω 1/4W J	
C1006	QDGB1HK-102Y	C CAPACITOR	1000pF 50V K		R903	QRE141J-151Y	C RESISTOR	150Ω 1/4W J	
					R904	QRE141J-221Y	C RESISTOR	220Ω 1/4W J	
R801	QRE141J-331Y	C RESISTOR	330Ω 1/4W J		R905	QRE141J-271Y	C RESISTOR	270Ω 1/4W J	
R802	QRE141J-101Y	C RESISTOR	100Ω 1/4W J		R906	QRE141J-391Y	C RESISTOR	390Ω 1/4W J	
R805	QRE141J-103Y	C RESISTOR	10kΩ 1/4W J		R907	QRE141J-561Y	C RESISTOR	560Ω 1/4W J	
R806	QRE141J-102Y	C RESISTOR	1kΩ 1/4W J		R908	QRE141J-102Y	C RESISTOR	1kΩ 1/4W J	
R807	QRE141J-102Y	C RESISTOR	1kΩ 1/4W J		R909	QRE141J-182Y	C RESISTOR	1.8kΩ 1/4W J	
R808	QRE141J-104Y	C RESISTOR	100kΩ 1/4W J		R910	QRE141J-562Y	C RESISTOR	5.6kΩ 1/4W J	
R809	QRE141J-102Y	C RESISTOR	1kΩ 1/4W J		R916	QRE141J-223Y	C RESISTOR	22kΩ 1/4W J	
R810	QRE141J-102Y	C RESISTOR	1kΩ 1/4W J		R917	QRE141J-221Y	C RESISTOR	220Ω 1/4W J	
R811	QRE141J-102Y	C RESISTOR	1kΩ 1/4W J		R918	QRE141J-221Y	C RESISTOR	220Ω 1/4W J	

△ Symbol No.	Part No.	Part Name	Description	Local	△ Symbol No.	Part No.	Part Name	Description	Local
R919	QRE141J-221Y	C RESISTOR	220Ω 1/4W J		S907	QSW0825-001Z	TACT SW		
R920	QRE141J-101Y	C RESISTOR	100Ω 1/4W J		S908	QSW0825-001Z	TACT SW		
R921	QRE141J-101Y	C RESISTOR	100Ω 1/4W J		S909	QSW0825-001Z	TACT SW		
R922	QRE141J-121Y	C RESISTOR	120Ω 1/4W J		S910	QSW0825-001Z	TACT SW		
R923	QRE141J-151Y	C RESISTOR	150Ω 1/4W J		S911	QSW0825-001Z	TACT SW		
R924	QRE141J-221Y	C RESISTOR	220Ω 1/4W J		S920	QSW0825-001Z	TACT SW		
R925	QRE141J-271Y	C RESISTOR	270Ω 1/4W J		S921	QSW0825-001Z	TACT SW		
R926	QRE141J-391Y	C RESISTOR	390Ω 1/4W J		S922	QSW0825-001Z	TACT SW		
R927	QRE141J-561Y	C RESISTOR	560Ω 1/4W J		S923	QSW0674-001Z	TACT SW		
R928	QRE141J-102Y	C RESISTOR	1kΩ 1/4W J		S924	QSW0674-001Z	TACT SW		
R930	QRE141J-181Y	C RESISTOR	180Ω 1/4W J		S925	QSW0674-001Z	TACT SW		
R932	QRE141J-271Y	C RESISTOR	270Ω 1/4W J		S926	QSW0674-001Z	TACT SW		
R933	QRE141J-271Y	C RESISTOR	270Ω 1/4W J		S940	QSW0674-001Z	TACT SW		
R934	QRE141J-271Y	C RESISTOR	270Ω 1/4W J		S941	QSW0825-001Z	TACT SW		
R935	QRE141J-271Y	C RESISTOR	270Ω 1/4W J		S942	QSW0825-001Z	TACT SW		
R936	QRE141J-181Y	C RESISTOR	180Ω 1/4W J		S943	QSW0825-001Z	TACT SW		
R938	QRE141J-221Y	C RESISTOR	220Ω 1/4W J		S944	QSW0825-001Z	TACT SW		
R940	QRE141J-101Y	C RESISTOR	100Ω 1/4W J		S945	QSW0825-001Z	TACT SW		
R941	QRE141J-101Y	C RESISTOR	100Ω 1/4W J		S946	QSW0825-001Z	TACT SW		
R942	QRE141J-121Y	C RESISTOR	120Ω 1/4W J		S947	QSW0825-001Z	TACT SW		
R943	QRE141J-151Y	C RESISTOR	150Ω 1/4W J		S948	QSW0825-001Z	TACT SW		
R944	QRE141J-221Y	C RESISTOR	220Ω 1/4W J		S949	QSW0825-001Z	TACT SW		
R945	QRE141J-271Y	C RESISTOR	270Ω 1/4W J		S950	QSW0674-001Z	TACT SW		
R946	QRE141J-391Y	C RESISTOR	390Ω 1/4W J		SP810	VYH7653-001	IC HOLDER		
R947	QRE141J-561Y	C RESISTOR	560Ω 1/4W J		SP889	VYSA1R3-049	SPECER		
R948	QRE141J-102Y	C RESISTOR	1kΩ 1/4W J		TW801	QUB220-09HPDT	SINGLE WIRE		
R949	QRE141J-182Y	C RESISTOR	1.8kΩ 1/4W J		TW889	QUB230-07A5A5	WIRE		
R950	QRE141J-562Y	C RESISTOR	5.6kΩ 1/4W J		X801	QAX0724-001Z	CRYSTAL	12.000000MHz	
R959	QRE141J-103Y	C RESISTOR	10kΩ 1/4W J						
R960	QRE141J-103Y	C RESISTOR	10kΩ 1/4W J						
R961	QRE141J-221Y	C RESISTOR	220Ω 1/4W J						
R968	QRE141J-102Y	C RESISTOR	1kΩ 1/4W J						
R970	QRE141J-221Y	C RESISTOR	220Ω 1/4W J						
R971	QRE141J-221Y	C RESISTOR	220Ω 1/4W J						
R972	QRE141J-221Y	C RESISTOR	220Ω 1/4W J						
R973	QRE141J-221Y	C RESISTOR	220Ω 1/4W J						
R974	QRE141J-221Y	C RESISTOR	220Ω 1/4W J						
R980	QRE141J-102Y	C RESISTOR	1kΩ 1/4W J						
R981	QRE141J-102Y	C RESISTOR	1kΩ 1/4W J						
R982	QRE141J-102Y	C RESISTOR	1kΩ 1/4W J						
R983	QRE141J-472Y	C RESISTOR	4.7kΩ 1/4W J						
R998	QRE141J-472Y	C RESISTOR	4.7kΩ 1/4W J						
R999	QRE141J-102Y	C RESISTOR	1kΩ 1/4W J						
L803	QQL29BJ-100Z	COIL	10uH J						
L805	QQR1183-001Z	FERRITE BEADS							
L806	QQR1183-001Z	FERRITE BEADS							
L1001	QQL231K-2R2Y	COIL	2.2uH K						
L1002	QQL231K-2R2Y	COIL	2.2uH K						
L1003	QQR1277-001Z	COIL							
BZ801	QAN0055-001	BUZZER			C201	NCB31CK-104X	C CAPACITOR	0.1uF 16V K	
CN43	QGF1210G1-09	CONNECTOR	FFC/FPC (1-9)		C251	NCB31CK-104X	C CAPACITOR	0.1uF 16V K	
CN840	QGF1210G1-15	CONNECTOR	FFC/FPC (1-15)		C252	QEKJ0JM-476Z	E CAPACITOR	47uF 6.3V M	
CN850	QGF1205F1-15	CONNECTOR	FFC/FPC (1-15)		C253	NCB31CK-104X	C CAPACITOR	0.1uF 16V K	
CN860	QGF1205C1-23	CONNECTOR	FFC/FPC (1-23)		C255	NCB31CK-104X	C CAPACITOR	0.1uF 16V K	
CN880	QGD2503F1-06	CONNECTOR	(1-6)		C258	NCB31CK-103X	C CAPACITOR	0.01uF 16V K	
CN900	QGD2503F1-05	CONNECTOR	(1-5)		C259	NDC31HJ-101X	C CAPACITOR	100pF 50V J	
FL801	QLF0111-001	FL TUBE			C291	QEKJ0JM-476Z	E CAPACITOR	47uF 6.3V M	
FW221	QUM156-15DGZ4	FLAT WIRE			C603	NCB31CK-104X	C CAPACITOR	0.1uF 16V K	
FW711	QUM154-33DGZ4	FLAT WIRE			C604	NCB31CK-104X	C CAPACITOR	0.1uF 16V K	
FW800	QUM024-20Z4Z4	FLAT WIRE			C605	NDC31HJ-331X	C CAPACITOR	330pF 50V J	
FW890	QUM026-10DGZ4	FLAT WIRE			C606	NDC31HJ-151X	C CAPACITOR	150pF 50V J	
FW900	QUM023-10Z4Z4	WIRE			C610	NCB31CK-563X	C CAPACITOR	0.056uF 16V K	
FW910	QUM025-10DGZ4	FLAT WIRE			C611	NCB31CK-104X	C CAPACITOR	0.1uF 16V K	
FW920	QUM023-10Z4Z4	WIRE			C612	NCB31CK-104X	C CAPACITOR	0.1uF 16V K	
FW950	QUM023-13Z4Z4	FLAT WIRE			C614	NCB31CK-393X	C CAPACITOR	0.039uF 16V K	
J1001	QNS0204-001	PHONE JACK			C615	NCB31HK-272X	C CAPACITOR	2700pF 50V K	
JS958	QSW0862-001	ROTARY VR			C616	NCB31HK-182X	C CAPACITOR	1800pF 50V K	
JS960	QSW0983-001	ROTARY SW			C621	NCB31CK-104X	C CAPACITOR	0.1uF 16V K	
JS962	QSW0983-001	ROTARY SW			C622	QEKJ1AM-107Z	E CAPACITOR	100uF 10V M	
S900	QSW0825-001Z	TACT SW			C623	NCB31CK-104X	C CAPACITOR	0.1uF 16V K	
S901	QSW0825-001Z	TACT SW			C624	QEKJ1AM-107Z	E CAPACITOR	100uF 10V M	
S902	QSW0825-001Z	TACT SW			C631	QEKJ1CM-106Z	E CAPACITOR	10uF 16V M	
S903	QSW0825-001Z	TACT SW			C632	NCB31CK-104X	C CAPACITOR	0.1uF 16V K	
S904	QSW0825-001Z	TACT SW			C633	NCB31EK-223X	C CAPACITOR	0.022uF 25V K	
S905	QSW0825-001Z	TACT SW			C641	NDC31HJ-4R0X	C CAPACITOR	4pF 50V J	
S906	QSW0825-001Z	TACT SW			C651	QEKJ1AM-107Z	E CAPACITOR	100uF 10V M	

## CD servo board

Block No. [0][4][0][0]

△ Symbol No.	Part No.	Part Name	Description	Local
IC201	BR24C08FV-X	IC		
IC251	MN101C61GMB1	IC		
IC601	AN22002A-W	I.C		
IC651	MN6627911AC1	IC		
IC671	A42L2604V-45L	IC		
IC681	TC7SH32FU-X	IC		
IC682	TC74VHC08FT-X	IC		
IC691	XC6206P182M-X	IC		
IC801	AN4801SB-W	IC		
Q291	2SB1424/QR/-W	TRANSISTOR		
Q631	2SA1037AK/RS/-X	TRANSISTOR		
C201	NCB31CK-104X	C CAPACITOR	0.1uF 16V K	
C251	NCB31CK-104X	C CAPACITOR	0.1uF 16V K	
C252	QEKJ0JM-476Z	E CAPACITOR	47uF 6.3V M	
C253	NCB31CK-104X	C CAPACITOR	0.1uF 16V K	
C255	NCB31CK-104X	C CAPACITOR	0.1uF 16V K	
C258	NCB31CK-103X	C CAPACITOR	0.01uF 16V K	
C259	NDC31HJ-101X	C CAPACITOR	100pF 50V J	
C291	QEKJ0JM-476Z	E CAPACITOR	47uF 6.3V M	
C603	NCB31CK-104X	C CAPACITOR	0.1uF 16V K	
C604	NCB31CK-104X	C CAPACITOR	0.1uF 16V K	
C605	NDC31HJ-331X	C CAPACITOR	330pF 50V J	
C606	NDC31HJ-151X	C CAPACITOR	150pF 50V J	
C610	NCB31CK-563X	C CAPACITOR	0.056uF 16V K	
C611	NCB31CK-104X	C CAPACITOR	0.1uF 16V K	
C612	NCB31CK-104X	C CAPACITOR	0.1uF 16V K	
C614	NCB31CK-393X	C CAPACITOR	0.039uF 16V K	
C615	NCB31HK-272X	C CAPACITOR	2700pF 50V K	
C616	NCB31HK-182X	C CAPACITOR	1800pF 50V K	
C621	NCB31CK-104X	C CAPACITOR	0.1uF 16V K	
C622	QEKJ1AM-107Z	E CAPACITOR	100uF 10V M	
C623	NCB31CK-104X	C CAPACITOR	0.1uF 16V K	
C624	QEKJ1AM-107Z	E CAPACITOR	100uF 10V M	
C631	QEKJ1CM-106Z	E CAPACITOR	10uF 16V M	
C632	NCB31CK-104X	C CAPACITOR	0.1uF 16V K	
C633	NCB31EK-223X	C CAPACITOR	0.022uF 25V K	
C641	NDC31HJ-4R0X	C CAPACITOR	4pF 50V J	
C651	QEKJ1AM-107Z	E CAPACITOR	100uF 10V M	



△ Symbol No.	Part No.	Part Name	Description	Local	△ Symbol No.	Part No.	Part Name	Description	Local
C652	NCB31CK-104X	C CAPACITOR	0.1uF 16V K		R624	NRSA63J-0R0X	MG RESISTOR	0Ω 1/16W J	
C653	NCB31CK-104X	C CAPACITOR	0.1uF 16V K		R625	NRSA63J-0R0X	MG RESISTOR	0Ω 1/16W J	
C654	NCB31CK-104X	C CAPACITOR	0.1uF 16V K		R631	NRSA63J-0R0X	MG RESISTOR	0Ω 1/16W J	
C655	NCB31CK-104X	C CAPACITOR	0.1uF 16V K		R632	NRSA63J-3R9X	MG RESISTOR	3.9Ω 1/16W J	
C656	NCB31CK-104X	C CAPACITOR	0.1uF 16V K		R634	NRSA63J-3R9X	MG RESISTOR	3.9Ω 1/16W J	
C657	NDC31HJ-471X	C CAPACITOR	470pF 50V J		R635	NRSA63J-100X	MG RESISTOR	10Ω 1/16W J	
C658	NCB31CK-104X	C CAPACITOR	0.1uF 16V K		R651	NRSA63J-473X	MG RESISTOR	47kΩ 1/16W J	
C659	NCB31EK-223X	C CAPACITOR	0.022uF 25V K		R652	NRSA63J-0R0X	MG RESISTOR	0Ω 1/16W J	
C661	NCB31HK-102X	C CAPACITOR	1000pF 50V K		R653	NRSA63J-223X	MG RESISTOR	22kΩ 1/16W J	
C662	NCB21CK-124X	C CAPACITOR	0.12uF 16V K		R654	NRSA63J-823X	MG RESISTOR	82kΩ 1/16W J	
C663	NCB31CK-104X	C CAPACITOR	0.1uF 16V K		R655	NRSA63J-472X	MG RESISTOR	4.7kΩ 1/16W J	
C664	QEKJ1AM-107Z	E CAPACITOR	100uF 10V M		R656	NRSA63J-104X	MG RESISTOR	100kΩ 1/16W J	
C665	NCB31CK-104X	C CAPACITOR	0.1uF 16V K		R657	NRSA63J-561X	MG RESISTOR	560Ω 1/16W J	
C666	QEKJ1AM-107Z	E CAPACITOR	100uF 10V M		R658	NRSA63J-0R0X	MG RESISTOR	0Ω 1/16W J	
C667	NCB31CK-104X	C CAPACITOR	0.1uF 16V K		R659	NRSA63J-153X	MG RESISTOR	15kΩ 1/16W J	
C669	NCB31HK-272X	C CAPACITOR	2700pF 50V K		R661	NRSA63J-153X	MG RESISTOR	15kΩ 1/16W J	
C672	NCB31HK-272X	C CAPACITOR	2700pF 50V K		R662	NRSA02J-101X	MG RESISTOR	100Ω 1/10W J	
C673	NCB31CK-104X	C CAPACITOR	0.1uF 16V K		R663	NRSA63J-273X	MG RESISTOR	27kΩ 1/16W J	
C674	NCB31CK-104X	C CAPACITOR	0.1uF 16V K		R664	NRSA63J-0R0X	MG RESISTOR	0Ω 1/16W J	
C675	NDC31HJ-100X	C CAPACITOR	10pF 50V J		R665	NRSA63J-681X	MG RESISTOR	680Ω 1/16W J	
C676	NDC31HJ-100X	C CAPACITOR	10pF 50V J		R666	NRSA63J-561X	MG RESISTOR	560Ω 1/16W J	
C677	NCB31CK-104X	C CAPACITOR	0.1uF 16V K		R667	NRSA63J-681X	MG RESISTOR	680Ω 1/16W J	
C678	QEKJ1AM-107Z	E CAPACITOR	100uF 10V M		R668	NRSA63J-561X	MG RESISTOR	560Ω 1/16W J	
C679	NCB21CK-105X	C CAPACITOR	1uF 16V K		R669	NRSA63J-102X	MG RESISTOR	1kΩ 1/16W J	
C681	NCB21CK-105X	C CAPACITOR	1uF 16V K		R671	NRSA63J-333X	MG RESISTOR	33kΩ 1/16W J	
C801	QERF1AM-227Z	E CAPACITOR	220uF 10V M		R672	NRSA63J-102X	MG RESISTOR	1kΩ 1/16W J	
C802	NCB31CK-104X	C CAPACITOR	0.1uF 16V K		R673	NRSA63J-102X	MG RESISTOR	1kΩ 1/16W J	
C803	NCB31AK-474X	C CAPACITOR	0.47uF 10V K		R674	NRSA63J-102X	MG RESISTOR	1kΩ 1/16W J	
C804	NCB31CK-103X	C CAPACITOR	0.01uF 16V K		R675	NRSA63J-102X	MG RESISTOR	1kΩ 1/16W J	
C805	NCB31HK-102X	C CAPACITOR	1000pF 50V K		R676	NRSA63J-0R0X	MG RESISTOR	0Ω 1/16W J	
C806	NCB31HK-152X	C CAPACITOR	1500pF 50V K		R677	NRSA63J-0R0X	MG RESISTOR	0Ω 1/16W J	
R253	NRSA63J-103X	MG RESISTOR	10kΩ 1/16W J		R678	NRSA63J-0R0X	MG RESISTOR	0Ω 1/16W J	
R255	NRSA63J-102X	MG RESISTOR	1kΩ 1/16W J		R679	NRSA63J-0R0X	MG RESISTOR	0Ω 1/16W J	
R256	NRSA63J-102X	MG RESISTOR	1kΩ 1/16W J		R681	NRSA63J-103X	MG RESISTOR	10kΩ 1/16W J	
R257	NRSA63J-0R0X	MG RESISTOR	0Ω 1/16W J		R682	NRSA63J-101X	MG RESISTOR	100Ω 1/16W J	
R258	NRSA63J-102X	MG RESISTOR	1kΩ 1/16W J		R801	NRSA63J-472X	MG RESISTOR	4.7kΩ 1/16W J	
R259	NRSA63J-103X	MG RESISTOR	10kΩ 1/16W J		R802	NRSA63J-222X	MG RESISTOR	2.2kΩ 1/16W J	
R261	NRSA63J-102X	MG RESISTOR	1kΩ 1/16W J		R803	NRSA63J-562X	MG RESISTOR	5.6kΩ 1/16W J	
R262	NRSA63J-102X	MG RESISTOR	1kΩ 1/16W J		R805	NRSA63J-472X	MG RESISTOR	4.7kΩ 1/16W J	
R263	NRSA63J-102X	MG RESISTOR	1kΩ 1/16W J		R806	NRSA63J-332X	MG RESISTOR	3.3kΩ 1/16W J	
R264	NRSA63J-102X	MG RESISTOR	1kΩ 1/16W J		R807	NRSA63J-562X	MG RESISTOR	5.6kΩ 1/16W J	
R265	NRSA63J-103X	MG RESISTOR	10kΩ 1/16W J		R809	NRSA63J-223X	MG RESISTOR	22kΩ 1/16W J	
R267	NRSA63J-102X	MG RESISTOR	1kΩ 1/16W J		R811	NRSA63J-153X	MG RESISTOR	15kΩ 1/16W J	
R271	NRSA63J-102X	MG RESISTOR	1kΩ 1/16W J		R812	NRSA63J-562X	MG RESISTOR	5.6kΩ 1/16W J	
R274	NRSA63J-102X	MG RESISTOR	1kΩ 1/16W J		R814	NRSA63J-183X	MG RESISTOR	18kΩ 1/16W J	
R278	NRSA63J-102X	MG RESISTOR	1kΩ 1/16W J		R815	NRSA63J-153X	MG RESISTOR	15kΩ 1/16W J	
R281	NRSA63J-102X	MG RESISTOR	1kΩ 1/16W J		R816	NRSA63J-562X	MG RESISTOR	5.6kΩ 1/16W J	
R282	NRSA63J-102X	MG RESISTOR	1kΩ 1/16W J		R818	NRSA63J-223X	MG RESISTOR	22kΩ 1/16W J	
R283	NRSA63J-102X	MG RESISTOR	1kΩ 1/16W J		CN251	QGF1036F1-15	CONNECTOR	FFC/FPC (1-15)	
R284	NRSA63J-102X	MG RESISTOR	1kΩ 1/16W J		CN252	QGA2001F1-02	CONNECTOR	W-B (1-2)	
R285	NRSA63J-102X	MG RESISTOR	1kΩ 1/16W J		CN253	QGA2001F1-03	CONNECTOR	W-B (1-3)	
R286	NRSA63J-102X	MG RESISTOR	1kΩ 1/16W J		CN601	QGF1006F2-16W	CONNECTOR	FFC/FPC (1-16)	
R287	NRSA63J-102X	MG RESISTOR	1kΩ 1/16W J		CN602	QGA2001F1-06	CONNECTOR	W-B (1-6)	
R288	NRSA63J-102X	MG RESISTOR	1kΩ 1/16W J		CN651	QGF1036F1-17	CONNECTOR	FFC/FPC (1-17)	
R289	NRSA63J-102X	MG RESISTOR	1kΩ 1/16W J		K654	NQR0007-002X	FERRITE BEADS		
R290	NRSA63J-102X	MG RESISTOR	1kΩ 1/16W J		X251	QAX0684-001Z	C RESONATOR		
R291	NRSA63J-102X	MG RESISTOR	1kΩ 1/16W J		X651	NAX0476-001X	CRYSTAL		
R292	NRSA63J-102X	MG RESISTOR	1kΩ 1/16W J						
R293	NRSA63J-473X	MG RESISTOR	47kΩ 1/16W J						
R294	NRSA63J-473X	MG RESISTOR	47kΩ 1/16W J						
R295	NRSA63J-473X	MG RESISTOR	47kΩ 1/16W J						
R296	NRSA63J-103X	MG RESISTOR	10kΩ 1/16W J						
R297	NRSA63J-122X	MG RESISTOR	1.2kΩ 1/16W J						
R298	NRSA63J-103X	MG RESISTOR	10kΩ 1/16W J						
R601	NRSA63J-562X	MG RESISTOR	5.6kΩ 1/16W J						
R602	NRSA63J-392X	MG RESISTOR	3.9kΩ 1/16W J						
R603	NRSA63J-333X	MG RESISTOR	33kΩ 1/16W J						
R604	NRSA63J-104X	MG RESISTOR	100kΩ 1/16W J						
R605	NRSA63J-0R0X	MG RESISTOR	0Ω 1/16W J						
R606	NRSA63J-0R0X	MG RESISTOR	0Ω 1/16W J						
R607	NRSA63J-223X	MG RESISTOR	22kΩ 1/16W J						
R608	NRSA63J-223X	MG RESISTOR	22kΩ 1/16W J						
R611	NRSA63J-562X	MG RESISTOR	5.6kΩ 1/16W J						
R613	NRSA63J-562X	MG RESISTOR	5.6kΩ 1/16W J						
R617	NRSA63J-152X	MG RESISTOR	1.5kΩ 1/16W J						
R621	NRSA63J-0R0X	MG RESISTOR	0Ω 1/16W J						
R622	NRSA63J-0R0X	MG RESISTOR	0Ω 1/16W J						

## Loading switch board

Block No. [0][5][0][0]

△ Symbol No.	Part No.	Part Name	Description	Local
IC1	LB1641	IC		
IC2	LB1641	IC		
D1	MTZJ6.2A-T2	Z DIODE		
C1	QEKJ1AM-107Z	E CAPACITOR	100uF 10V M	
C2	QCFB1HZ-104Y	C CAPACITOR	0.1uF 50V Z	
C3	QFLC1HJ-103Z	M CAPACITOR	0.01uF 50V J	
C5	QFLC1HJ-103Z	M CAPACITOR	0.01uF 50V J	
C6	QCFB1HZ-104Y	C CAPACITOR	0.1uF 50V Z	

Symbol No.	Part No.	Part Name	Description	Local
C7	QCFB1HZ-104Y	C CAPACITOR	0.1uF 50V Z	
CN1	QGF1036F1-15	CONNECTOR	FFC/FPC (1-15)	
CN2	QGB1214J1-08S	CONNECTOR	B-B (1-8)	
CN3	QGB1214K1-08S	CONNECTOR	B-B (1-8)	
SW1	QSW0844-001	PUSH SWITCH		
SW2	QSW0844-001	PUSH SWITCH		
SW3	QSW0844-001	PUSH SWITCH		
SW4	QSW0844-001	PUSH SWITCH		
SW5	QSW0844-001	PUSH SWITCH		
SW6	QSW0854-002	PUSH SW		
SW7	QSW0886-002	DETECT SWITCH		
SW8	QSW0886-002	DETECT SWITCH		

## Cassette switch board

Block No. [0][6][0][0]

Symbol No.	Part No.	Part Name	Description	Local
IC1	SG-105F3-BB,C	PHOTO SENSER		
IC32	HA12238F	IC	R/P Equalizer	
IC33	CD4094BC	IC	Serial to parallel port extension	
L301	QQR1118-002	OSC COIL(BIAS)		
CN1	QGF1205F1-09	CONNECTOR	FFC/FPC (1-9)	
CN31	QGF1205F1-06	CONNECTOR	FFC/FPC (1-6)	
CN32	QGF1205F1-09	CONNECTOR	FFC/FPC (1-9)	
CN33	QGF1205F1-09	CONNECTOR	FFC/FPC (1-9)	
CN34	QGF1201F3-10	CONNECTOR	FFC/FPC (1-10)	
FW100	QUM024-07A2Z3	PARA RIBON WIRE		
H32	GV40397-002A	IC HOLDER		
P1	QNZ0104-001	POST PIN		
SW1	QSW0832-001	CASS.SWITCH		
SW2	QSW0832-001	CASS.SWITCH		
SW5	QSW0832-001	CASS.SWITCH		
SW6	QSW0859-001	DETECT SWITCH		

## Head amplifier board

Block No. [0][7][0][0]

Symbol No.	Part No.	Part Name	Description	Local
Q302	2SC2001/K-T	TRANSISTOR		
Q305	2SC2001/K-T	TRANSISTOR		
Q342	KRA111M-T	DIGI TRANSISTOR		
Q343	2SC3576-JVC-T	TRANSISTOR		
Q344	2SC3576-JVC-T	TRANSISTOR		
Q345	2SC3576-JVC-T	TRANSISTOR		
Q346	2SC3576-JVC-T	TRANSISTOR		
Q347	KRC107M-T	DIGI TRANSISTOR		
Q371	KTA1271/OY-T	TRANSISTOR		
Q372	KRC107M-T	DIGI TRANSISTOR		
Q375	2SB562/C-T	TRANSISTOR		
Q376	KTC3199/GL-T	TRANSISTOR		
D1	1SR139-400-T2	SI DIODE		
D340	MTZJ5.1B-T2	Z DIODE		
D375	MTZJ5.1B-T2	Z DIODE		
C101	QDGB1HK-821Y	C CAPACITOR	820pF 50V K	
C102	QDYB1CM-103Y	C CAPACITOR	0.01uF 16V M	
C103	QFLA1HJ-104Z	M CAPACITOR	0.1uF 50V J	
C104	QCBB1HK-221Y	C CAPACITOR	220pF 50V K	
C105	QCBB1HK-391Y	C CAPACITOR	390pF 50V K	
C106	QERF1HM-225Z	E CAPACITOR	2.2uF 50V M	
C107	QCBB1HK-271Y	C CAPACITOR	270pF 50V K	
C109	QEKJ1EM-475Z	E CAPACITOR	4.7uF 25V M	
C110	QDYB1CM-682Y	C CAPACITOR	6800pF 16V M	

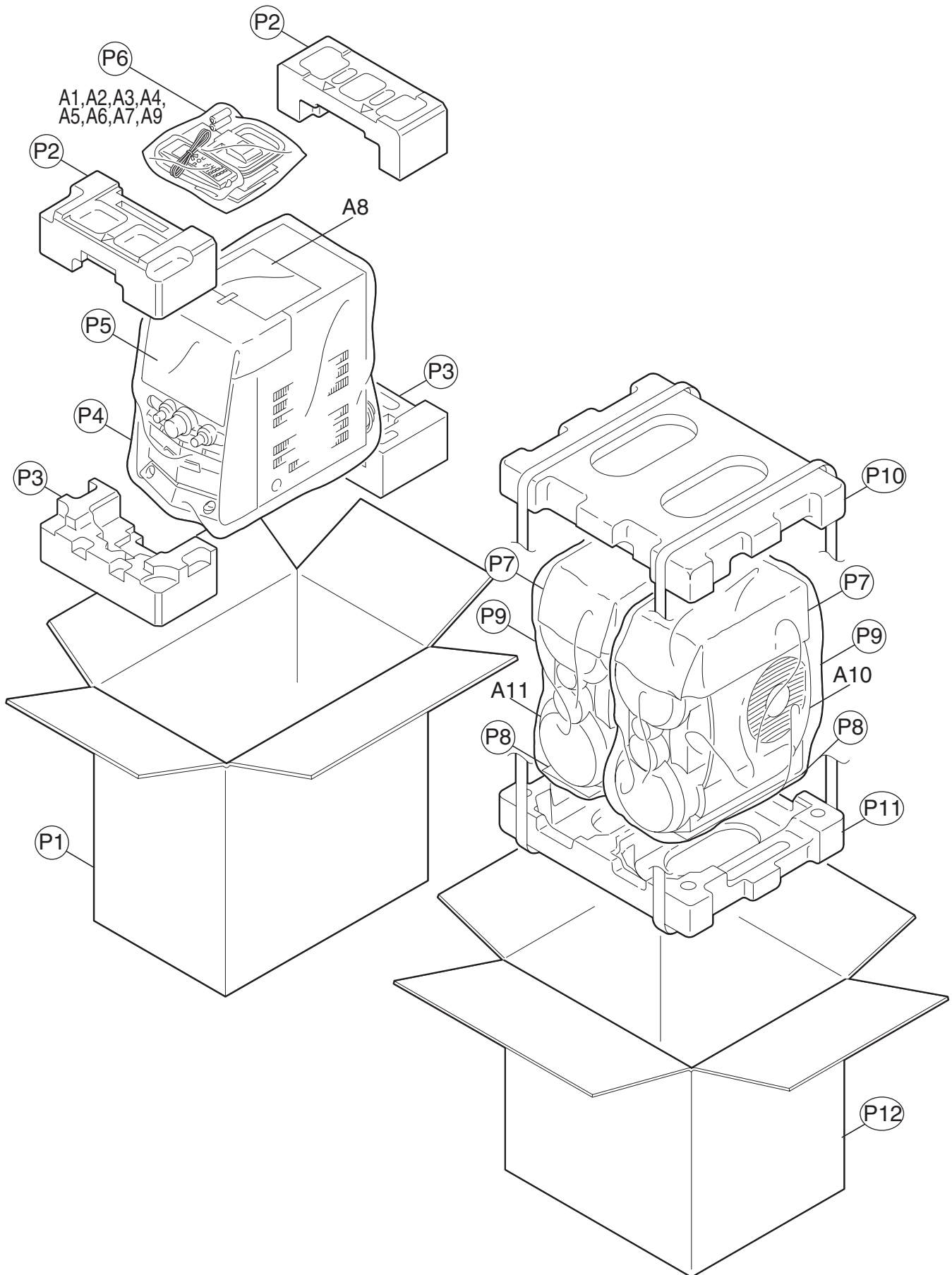
Symbol No.	Part No.	Part Name	Description	Local
C113	QFLA1HJ-104Z	M CAPACITOR	0.1uF 50V J	
C120	QCSB1HK-4R7Y	C CAPACITOR	4.7pF 50V K	
C121	QCBB1HK-331Y	C CAPACITOR	330pF 50V K	
C201	QDGB1HK-821Y	C CAPACITOR	820pF 50V K	
C202	QDYB1CM-103Y	C CAPACITOR	0.01uF 16V M	
C203	QFLA1HJ-104Z	M CAPACITOR	0.1uF 50V J	
C204	QCBB1HK-221Y	C CAPACITOR	220pF 50V K	
C205	QCBB1HK-391Y	C CAPACITOR	390pF 50V K	
C206	QERF1HM-225Z	E CAPACITOR	2.2uF 50V M	
C207	QCBB1HK-271Y	C CAPACITOR	270pF 50V K	
C209	QEKJ1EM-475Z	E CAPACITOR	4.7uF 25V M	
C210	QDYB1CM-682Y	C CAPACITOR	6800pF 16V M	
C213	QFLA1HJ-104Z	M CAPACITOR	0.1uF 50V J	
C220	QCSB1HK-4R7Y	C CAPACITOR	4.7pF 50V K	
C221	QCBB1HK-331Y	C CAPACITOR	330pF 50V K	
C300	QEKJ1HM-105Z	E CAPACITOR	1uF 50V M	
C301	QEKJ1AM-107Z	E CAPACITOR	100uF 10V M	
C304	QEKJ1CM-106Z	E CAPACITOR	10uF 16V M	
C306	FQETJ1AM-227Z	E CAPACITOR		
C307	QDGB1HK-102Y	C CAPACITOR	1000pF 50V K	
C308	QDXB1CM-152Y	C CAPACITOR	1500pF 16V M	
C310	QCBB1HK-223Y	C CAPACITOR	0.022uF 50V K	
C313	QEKJ1AM-107Z	E CAPACITOR	100uF 10V J	
C314	QCFB1HZ-105Y	C CAPACITOR	1uF 50V Z	
C316	QFG32AJ-223Z	PP CAPACITOR	0.022uF 100V J	
C319	QFLC1HJ-472Z	M CAPACITOR	4700pF 50V J	
C331	QEKJ1CM-476Z	E CAPACITOR	47uF 16V M	
C340	QEKJ1CM-476Z	E CAPACITOR	47uF 16V M	
C341	QEKJ1HM-105Z	E CAPACITOR	1uF 50V M	
C342	QEKJ1CM-476Z	E CAPACITOR	47uF 16V M	
C371	QEKJ1EM-475Z	E CAPACITOR	4.7uF 25V M	
C374	QEKJ1AM-107Z	E CAPACITOR	100uF 10V M	
C376	QDYB1CM-103Y	C CAPACITOR	0.01uF 16V M	

R101	QRE141J-512Y	C RESISTOR	5.1kΩ 1/4W J	
R102	QRE141J-512Y	C RESISTOR	5.1kΩ 1/4W J	
R104	QRE141J-222Y	C RESISTOR	2.2kΩ 1/4W J	
R105	QRE141J-104Y	C RESISTOR	100kΩ 1/4W J	
R106	QRE141J-113Y	C RESISTOR	11kΩ 1/4W J	
R107	QRE141J-912Y	C RESISTOR	9.1kΩ 1/4W J	
R108	QRE141J-273Y	C RESISTOR	27kΩ 1/4W J	
R110	QRE141J-103Y	C RESISTOR	10kΩ 1/4W J	
R116	QRE141J-102Y	C RESISTOR	1kΩ 1/4W J	
R121	QRE141J-153Y	C RESISTOR	15kΩ 1/4W J	
R201	QRE141J-512Y	C RESISTOR	5.1kΩ 1/4W J	
R202	QRE141J-512Y	C RESISTOR	5.1kΩ 1/4W J	
R204	QRE141J-222Y	C RESISTOR	2.2kΩ 1/4W J	
R205	QRE141J-104Y	C RESISTOR	100kΩ 1/4W J	
R206	QRE141J-113Y	C RESISTOR	11kΩ 1/4W J	
R207	QRE141J-912Y	C RESISTOR	9.1kΩ 1/4W J	
R208	QRE141J-273Y	C RESISTOR	27kΩ 1/4W J	
R210	QRE141J-103Y	C RESISTOR	10kΩ 1/4W J	
R216	QRE141J-102Y	C RESISTOR	1kΩ 1/4W J	
R221	QRE141J-153Y	C RESISTOR	15kΩ 1/4W J	
R301	QRE141J-221Y	C RESISTOR	220Ω 1/4W J	
R302	QRE141J-222Y	C RESISTOR	2.2kΩ 1/4W J	
R303	QRE141J-222Y	C RESISTOR	2.2kΩ 1/4W J	
R304	QRJ146J-101X	UNF C RESISTOR	100Ω 1/4W J	
R305	QRE141J-103Y	C RESISTOR	10kΩ 1/4W J	
R306	QRE141J-472Y	C RESISTOR	4.7kΩ 1/4W J	
R310	QRJ146J-4R7X	UNF C RESISTOR	4.7Ω 1/4W J	
R313	QRE141J-2R2Y	C RESISTOR	2.2Ω 1/4W J	
R314	QRE141J-153Y	C RESISTOR	15kΩ 1/4W J	
R315	QRE141J-101Y	C RESISTOR	100Ω 1/4W J	
R327	QRE141J-474Y	C RESISTOR	470kΩ 1/4W J	
R335	QRE141J-222Y	C RESISTOR	2.2kΩ 1/4W J	
R336	QRE141J-223Y	C RESISTOR	22kΩ 1/4W J	
R337	QRE141J-332Y	C RESISTOR	3.3kΩ 1/4W J	
R338	QRE141J-392Y	C RESISTOR	3.9kΩ 1/4W J	
R339	QRE141J-104Y	C RESISTOR	100kΩ 1/4W J	
R340	QRE141J-681Y	C RESISTOR	680Ω 1/4W J	
R341	QRE141J-123Y	C RESISTOR	12kΩ 1/4W J	
R342	QRE141J-243Y	C RESISTOR	24kΩ 1/4W J	
R343	QRE141J-183Y	C RESISTOR	18kΩ 1/4W J	
R344	QRE141J-472Y	C RESISTOR	4.7kΩ 1/4W J	
R345	QRE141J-472Y	C RESISTOR	4.7kΩ 1/4W J	
R346	QRE141J-472Y	C RESISTOR	4.7kΩ 1/4W J	
R347	QRE141J-103Y	C RESISTOR	10kΩ 1/4W J	

△ Symbol No.	Part No.	Part Name	Description	Local
△ R353	QRZ9005-100X	FUSI RESISTOR	10Ω	
R371	QRE141J-123Y	C RESISTOR	12kΩ 1/4W J	
R372	QRE141J-102Y	C RESISTOR	1kΩ 1/4W J	
R375	QRE141J-151Y	C RESISTOR	150Ω 1/4W J	
R376	QRE141J-472Y	C RESISTOR	4.7kΩ 1/4W J	
VR31	QVP0008-203Z	TRIM RESISTOR	20kΩ	
VR37	QVP0077-103Z	TRIM RESISTOR	10kΩ	
L303	QQL244K-100Z	COIL	10uH K	

# Packing materials and accessories parts list

Block No. M 3 M M



## Packing and accessories

Block No. [M][3][M][M]

△ Symbol No.	Part No.	Part Name	Description	Local
A 1	GVT0100-008A	INST BOOK	ENG	HXZ10B
A 1	GVT0100-007A	INST BOOK	SWE,FIN,DAN,GER, FRE,SPA,ITA	HXZ10EN
A 1	GVT0100-006A	INST BOOK	GER,FRE,DUT	HXZ10E
A 2	QAL0014-001	AM LOOP ANT		
A 3	QAL0457-001	ANT.WIRE		
A 4	RM-SHXZ10R	REMOCON		
A 5	-----	BATTERY	(x2)	
A 6	BT-54013-5	WARRANTY CARD		
A 7	GV40406-002A	NOTICE SHEET		
A 8	GV40436-002A	CAUTION SHEET		
A 9	VNA3000-204	REGISTER CARD		HXZ10B
A 10	SPHXZ10ESPBOX-R	SPK WITH BOX		
A 11	SPHXZ10ESPBOX-L	SPK WITH BOX		
P 1	GV20229-001A	CARTON ASSY.		
P 2	GV10139-001A	CUSHION TOP		
P 3	GV10140-001A	CUSHION BOTTOM		
P 4	QPC06507015P	POLY BAG	65cm x 70cm	
P 5	GV40168-007A	SHEET		
P 6	QPC02503515P	POLY BAG	25cm x 35cm	
P 7	439929331191	MIRAMET SHEET	(x2)	
P 8	439929331351	MIRAMET SHEET	(x2)	
P 9	439929331201	POLY BAG	(x2)	
P 10	439929331221	POLYFOAM(TOP)		
P 11	439929331231	POLYFOAM(BTTM)		
P 12	439929331271	CARTON		